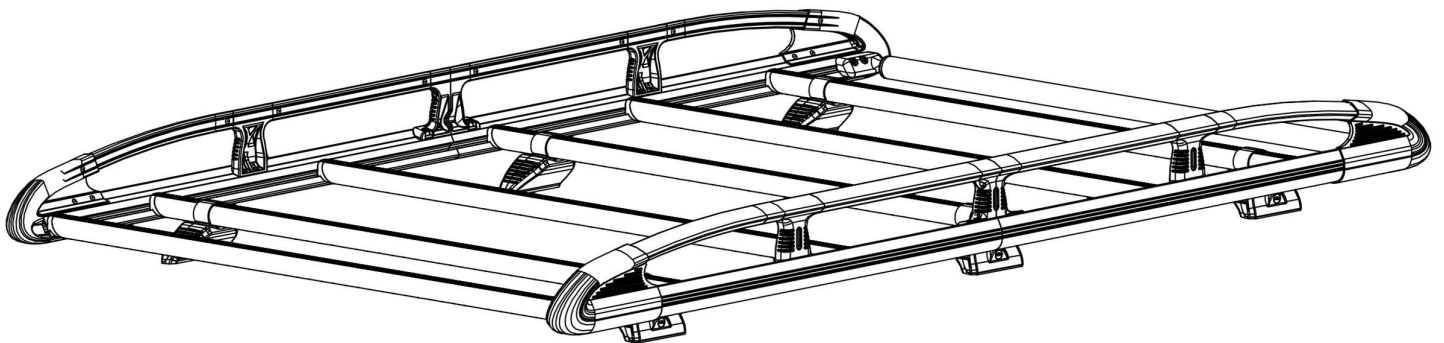


JC3KR

KammRack

Instructions

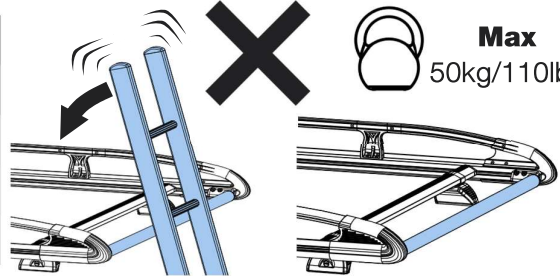
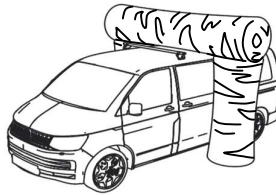
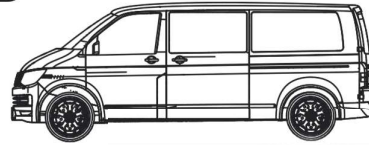


CITY CRASH (✓)

According to ISO/ PAS 11154:2006

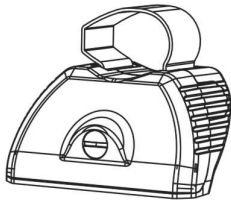
JC3KR:

CITROEN Jumper/Dispatch, 2016 –
PEUGEOT Expert, 2016 –
TOYOTA Proace, 2016 –
VAUXHALL Vivaro, 2019-

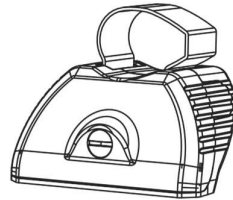


Max
50kg/110lbs

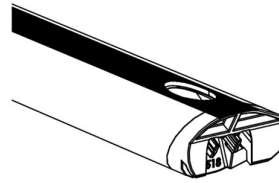
KammRack



SA397U x 3



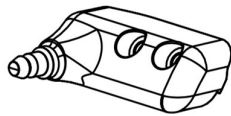
SA398U x 3



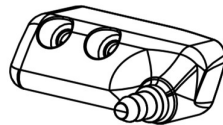
SA437



C04 x 6
optional upgrade



PS519 x 1



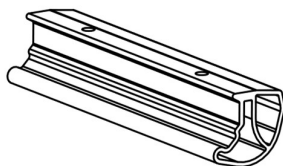
PS520 x 1

LHS x 2

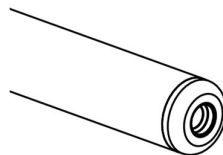
RHS x 2



ASF x 1

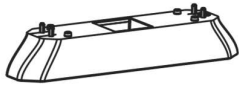


EXT15-02 x 2

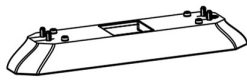


SA436 x 1

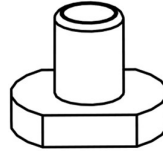
Fitting Kit



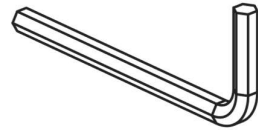
PS252 x 4



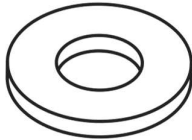
PS253 x 2



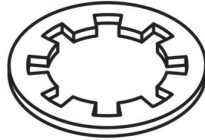
FN085 x 18



FT01 x 1



FW001 (M6) x 6



FW008 (M6) x 6



FN020 (M6) x 6



TP153 x 4



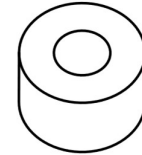
**FS040
(M6 x 35) x 4**



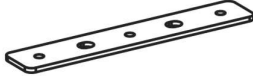
**FS039
(M6 x 30)
x 2**



**FS059
(M8 x 25)
x 18**



TP154 x 2

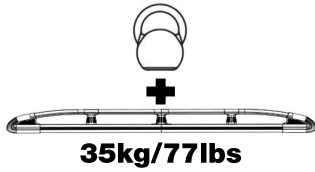


PS210 x 6

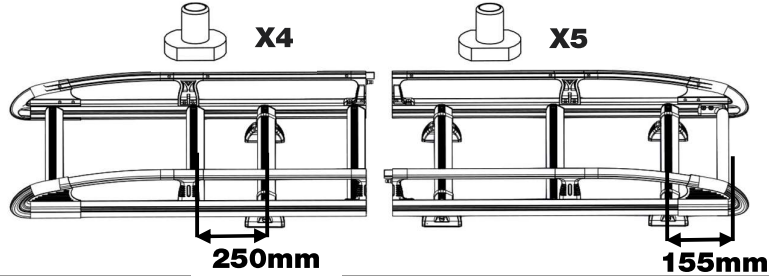
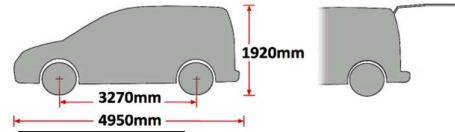


FT05 x 1

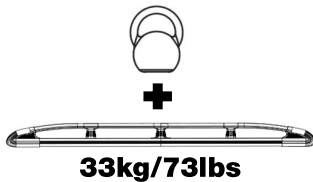
K662- Jumpy/Dispatch/Proace/Expert 2016-, Opel Vivaro 2019- L2, H1, Vauxhall Vivaro 2019- L1, H1, Tailgate



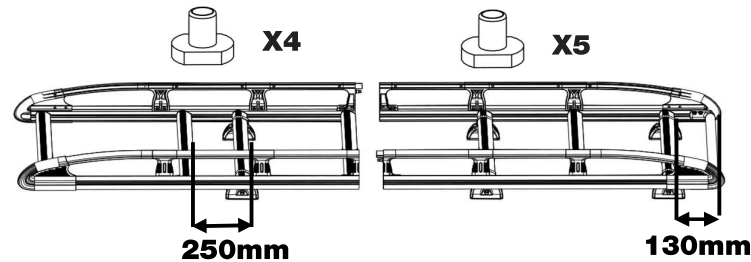
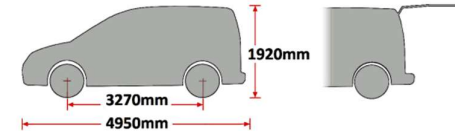
150kg Max



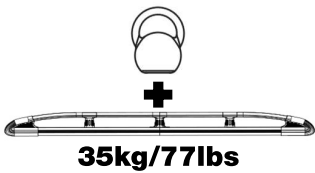
K664- Jumpy/Dispatch/Proace/Expert 2016-, Opel Vivaro 2019- L3, H1, Vauxhall Vivaro 2019- L2, H1, Tailgate



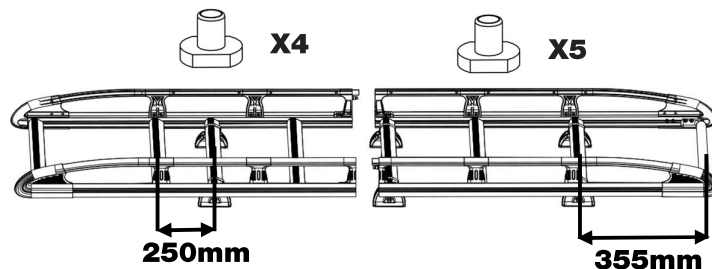
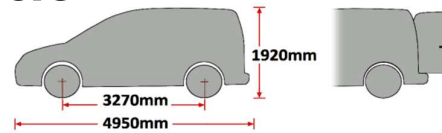
150kg Max



K661- Jumpy/Dispatch/Proace/Expert 2016-, Opel Vivaro 2019- L2, H1, Vauxhall Vivaro 2019- L1, H1, Twin Doors

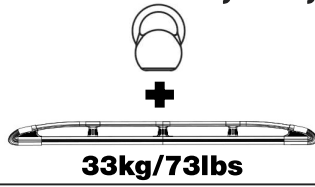


150kg Max

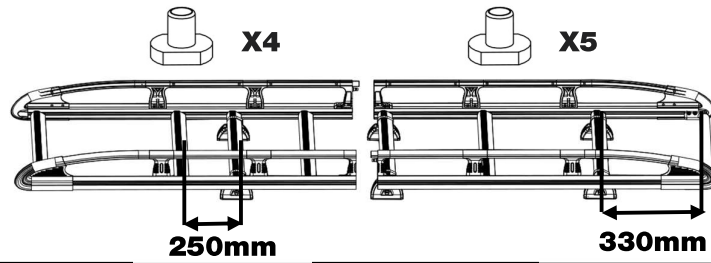
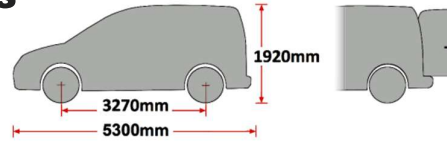


**K663- Jumpy/Dispatch/Expert 2016-, Opel Vivaro
2019- L3, H1, Vauxhall Vivaro 2019- L2, H1, Twin**

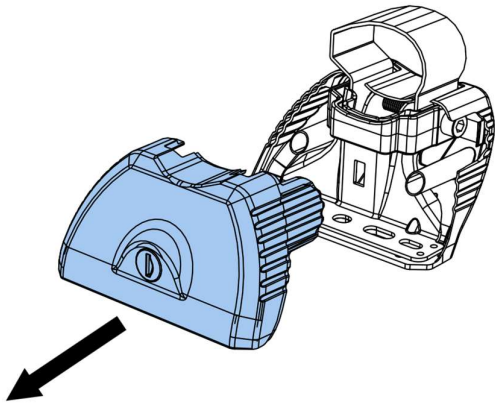
Doors



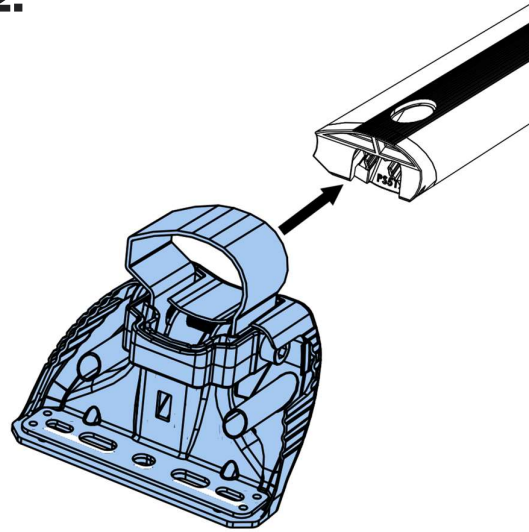
**150kg
Max**



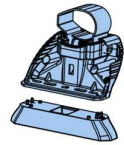
1.



2.

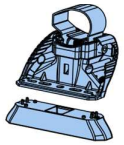


3.



SA397U

PS252



SA397U

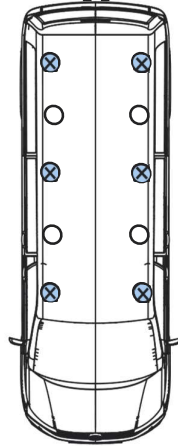
PS253



SA397U

PS252

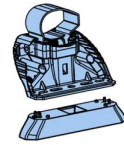
R



F

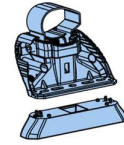
SA398U

PS252



SA398U

PS253

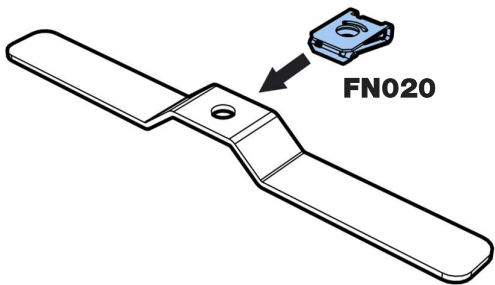


SA398U

PS252

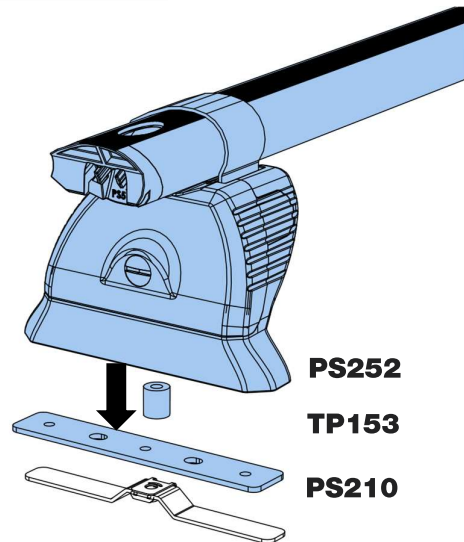


4.



FN020

5.

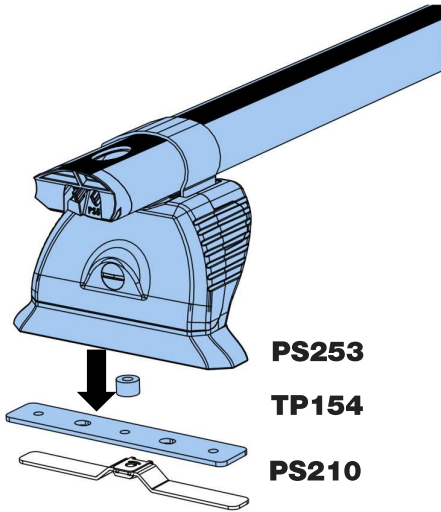


PS252

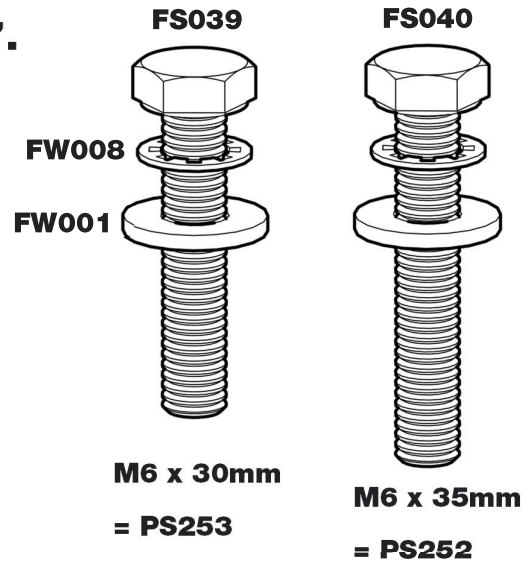
TP153

PS210

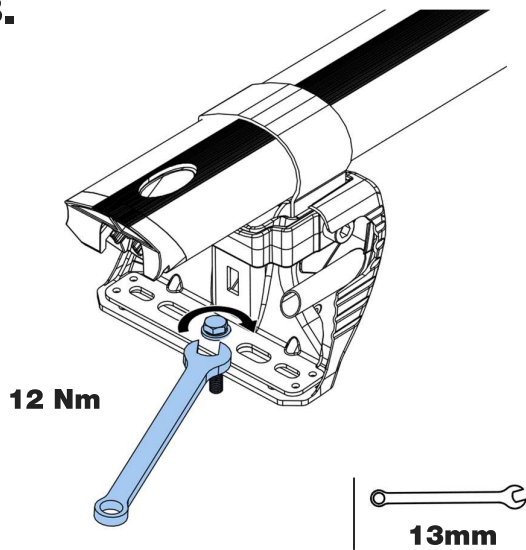
6.



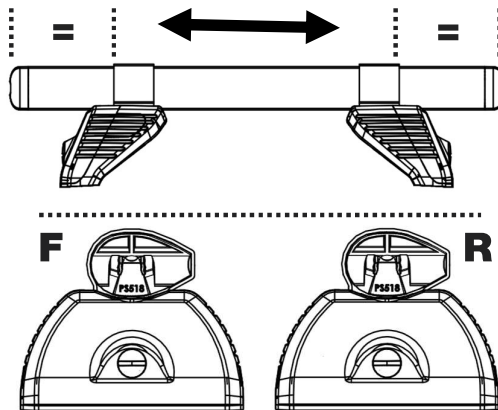
7.



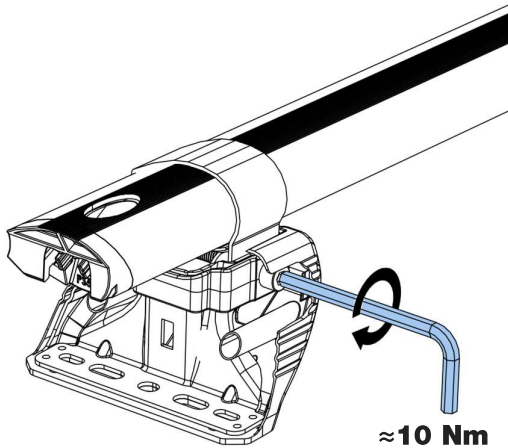
8.



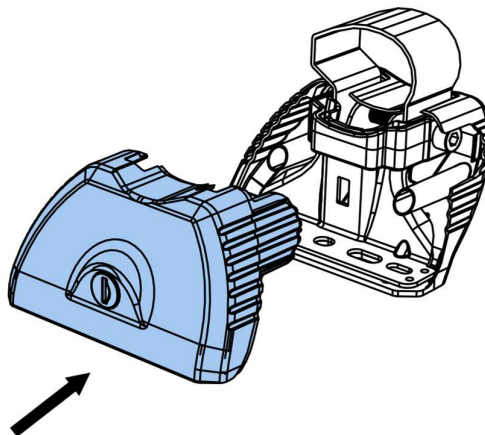
9.



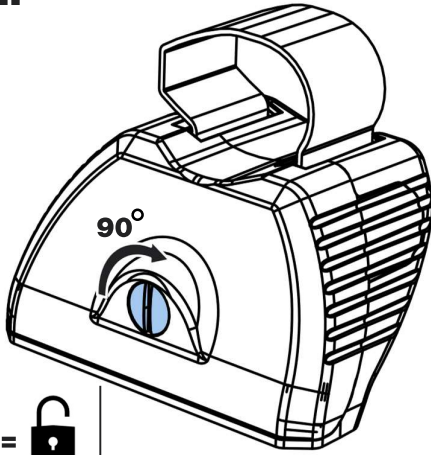
10.



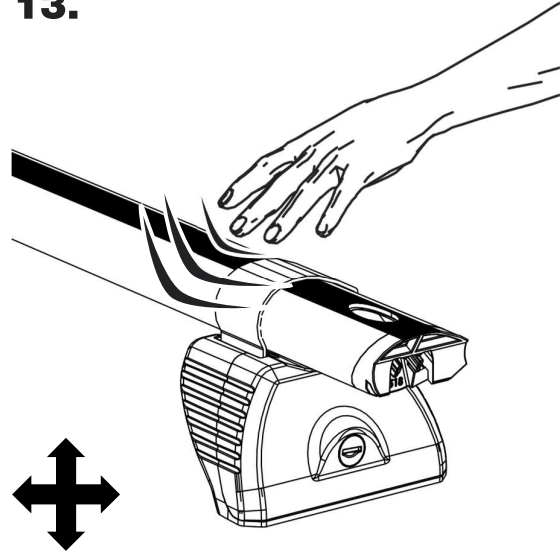
11.



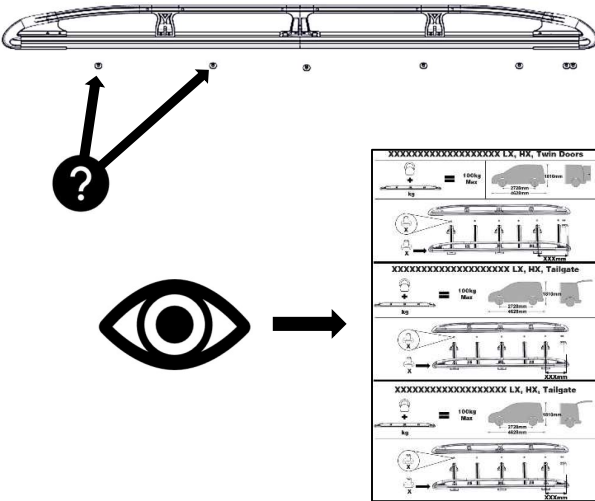
12.



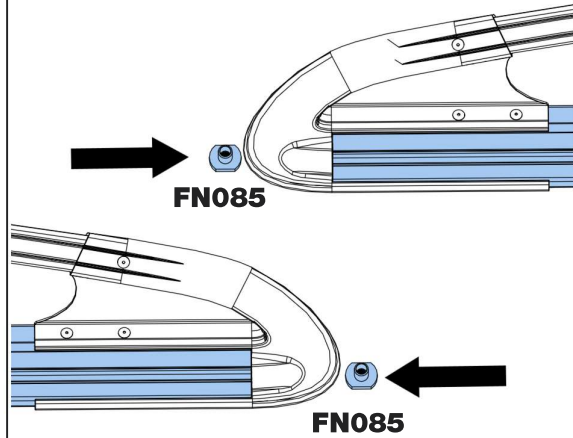
13.



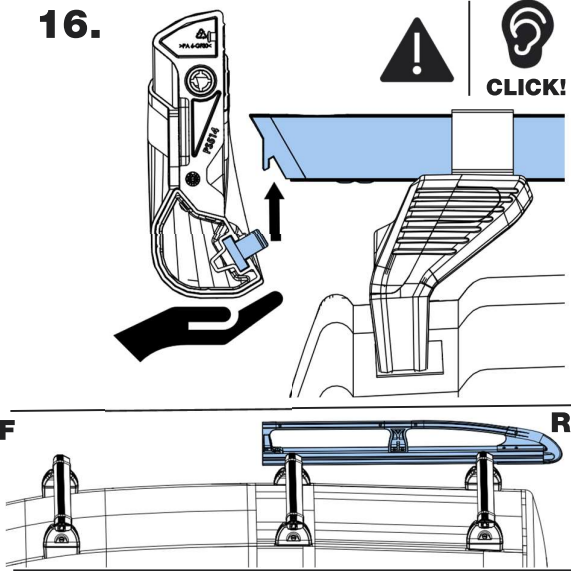
14.



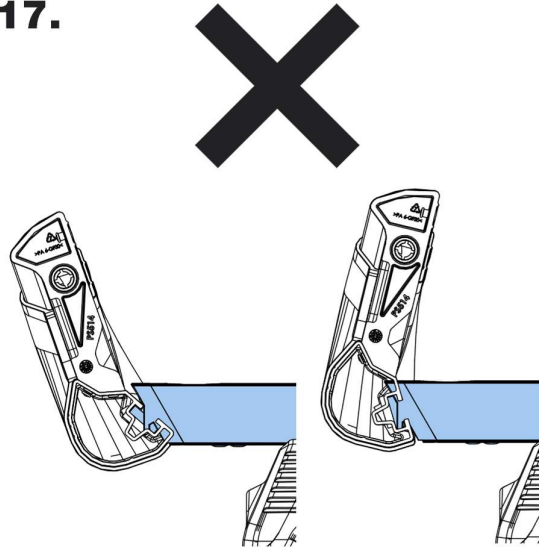
15.



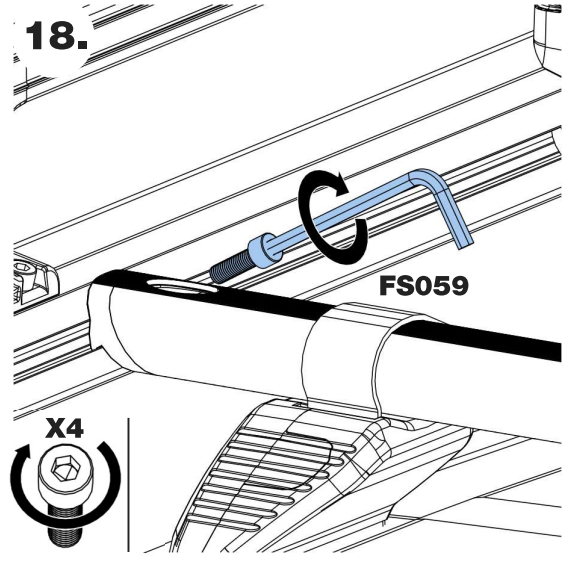
16.



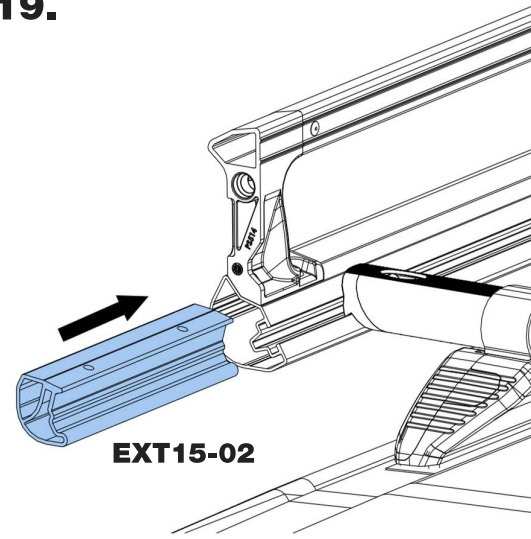
17.



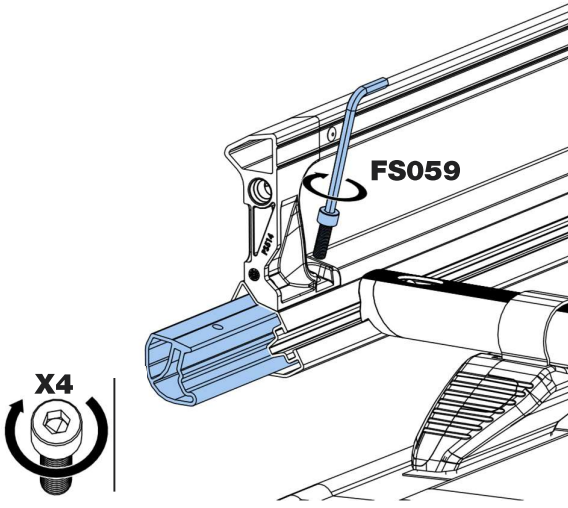
18.



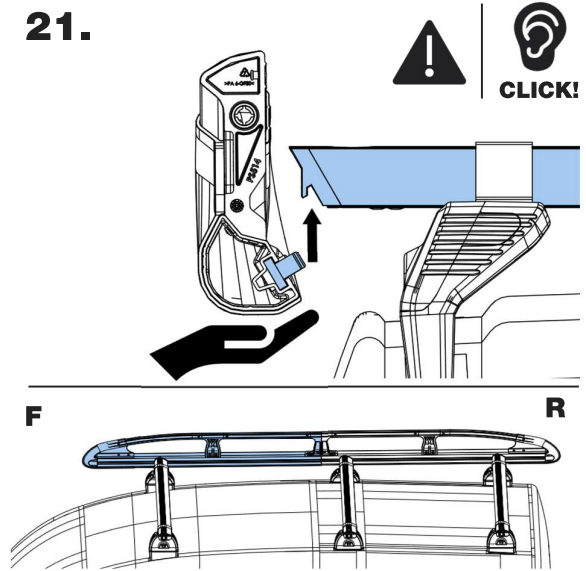
19.



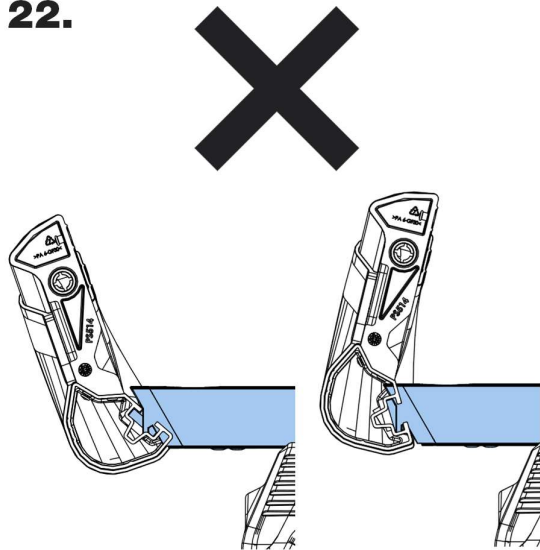
20.



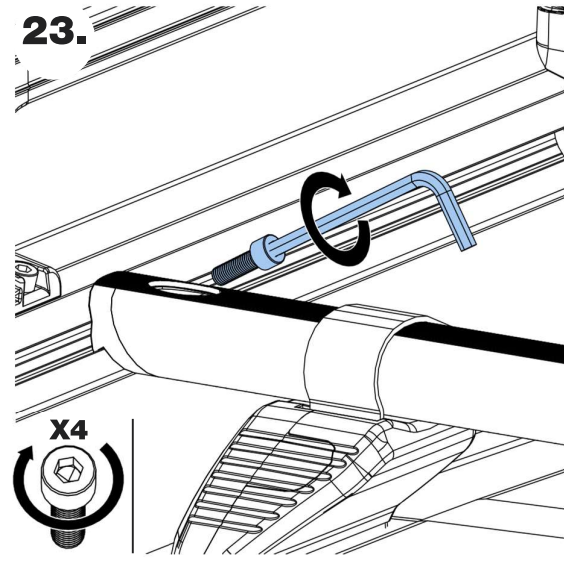
21.



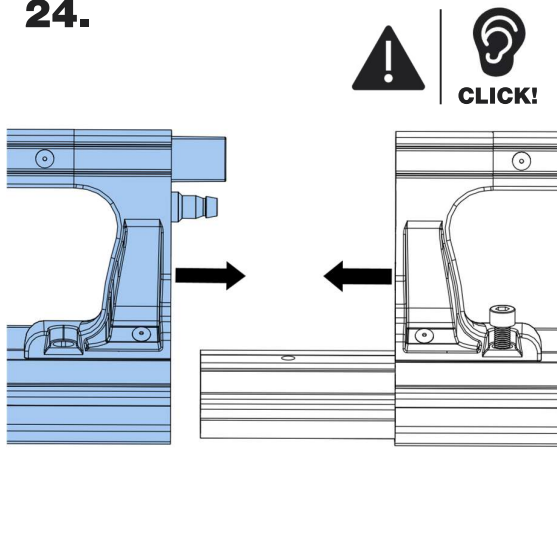
22.



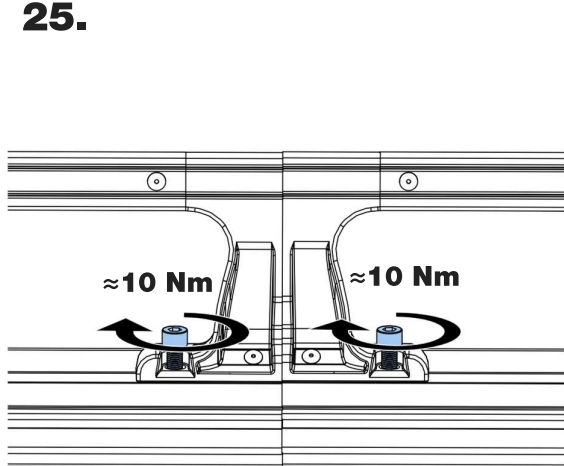
23.



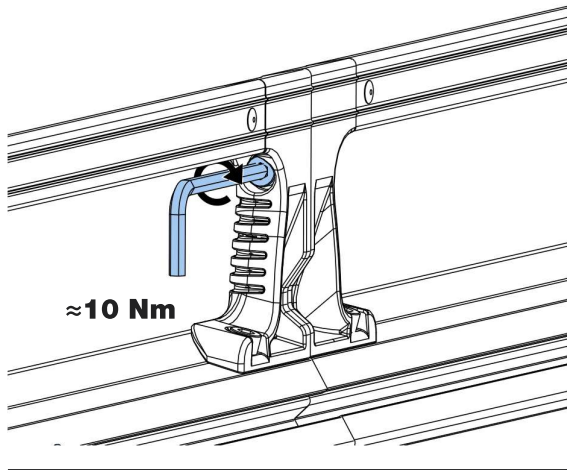
24.



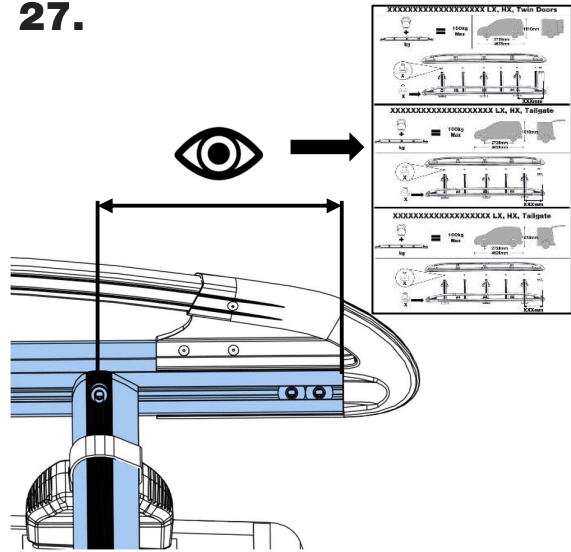
25.



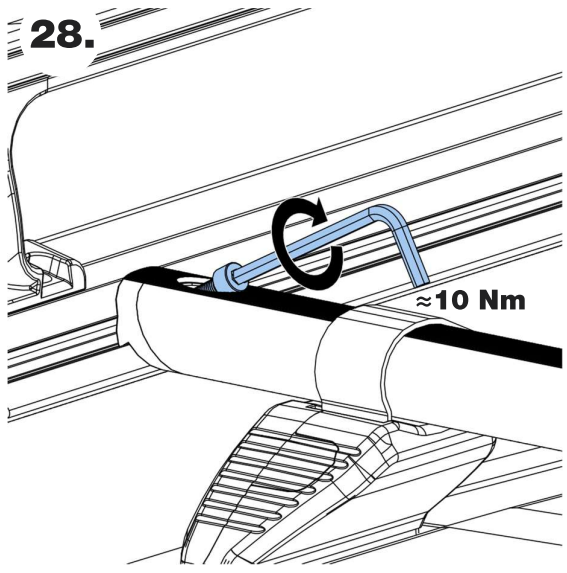
26.



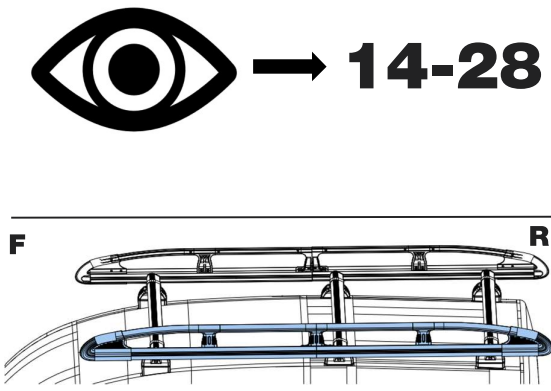
27.



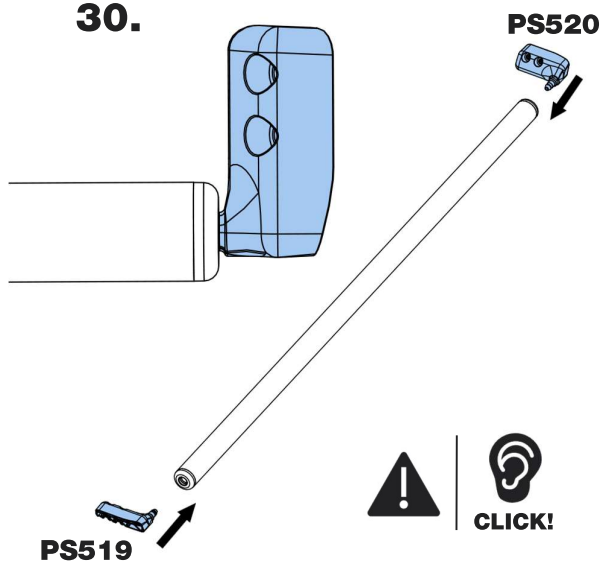
28.



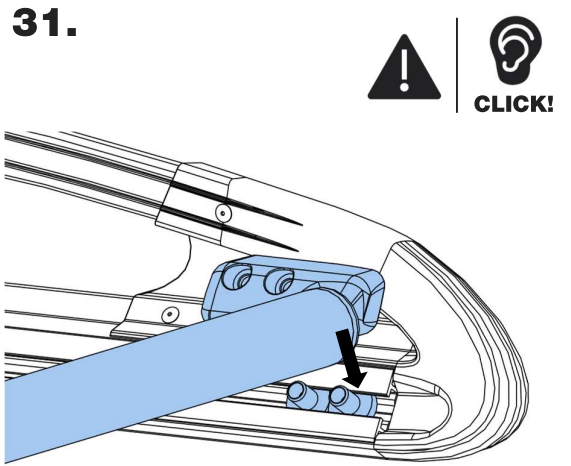
29.



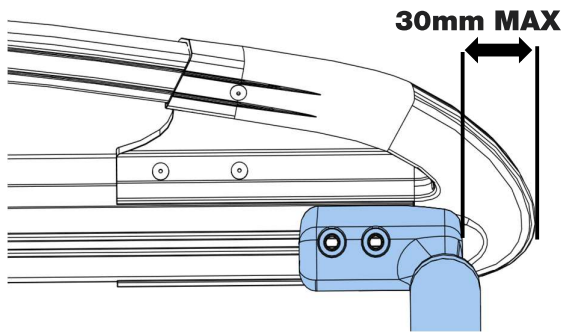
30.



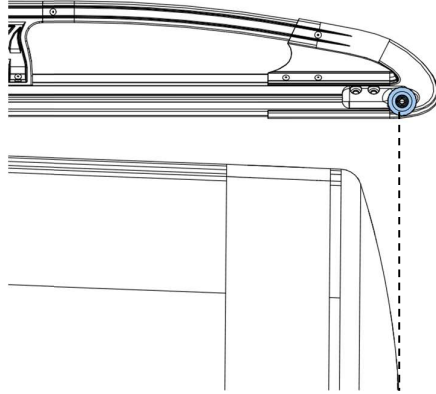
31.



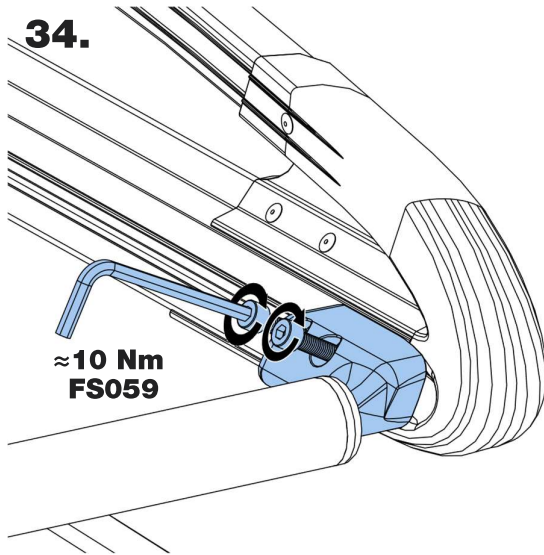
32.



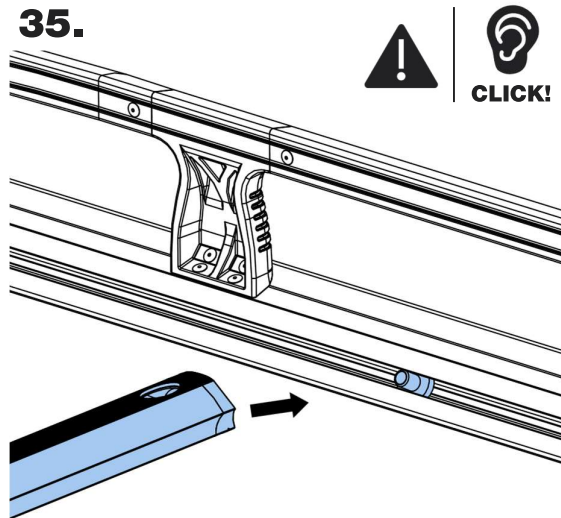
33.



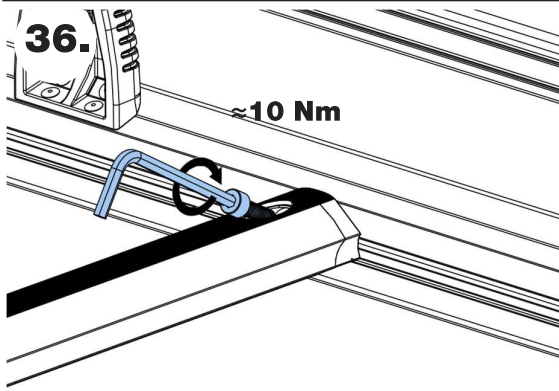
34.



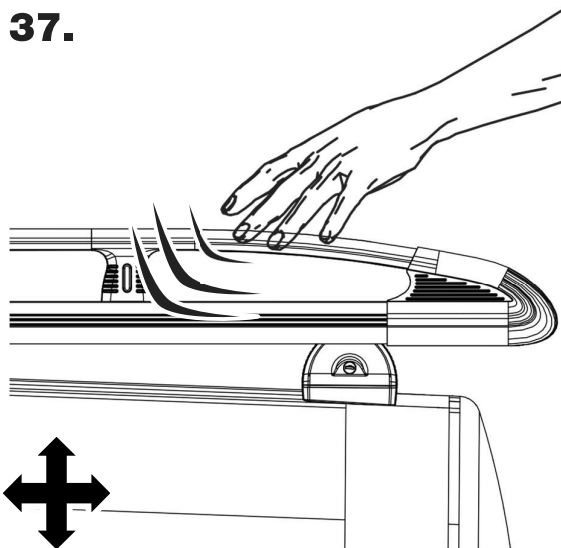
35.



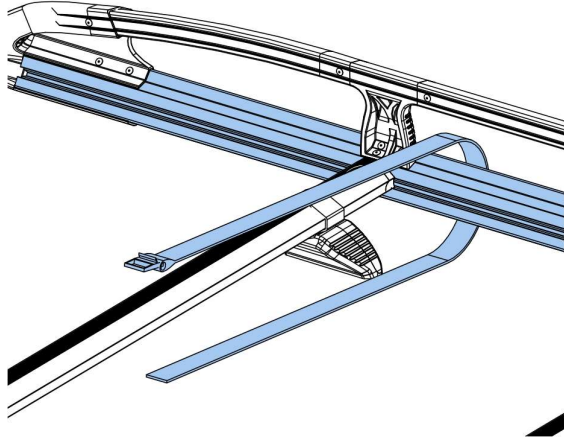
36.



37.



38.



39.

