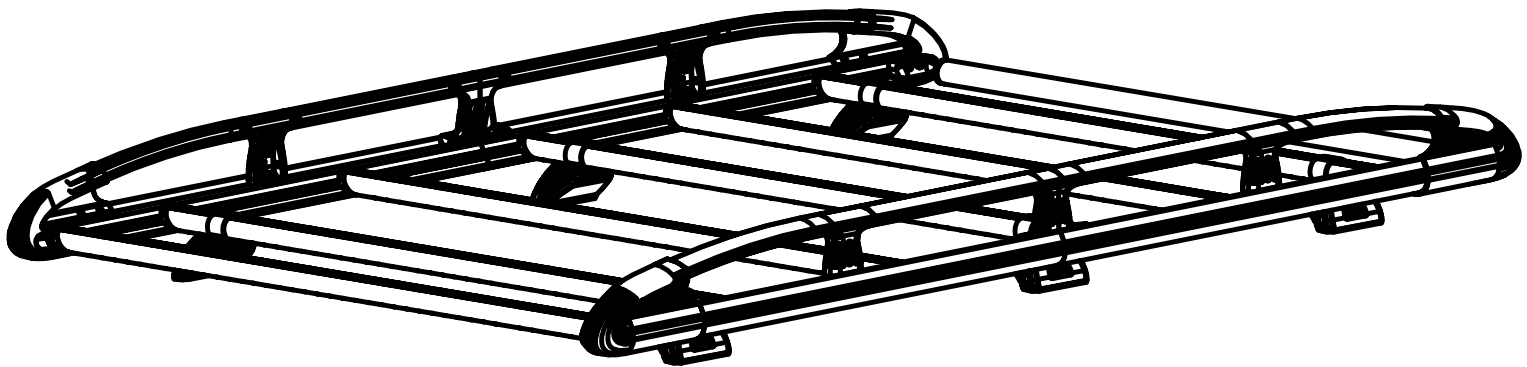


TB3KR

KammRack

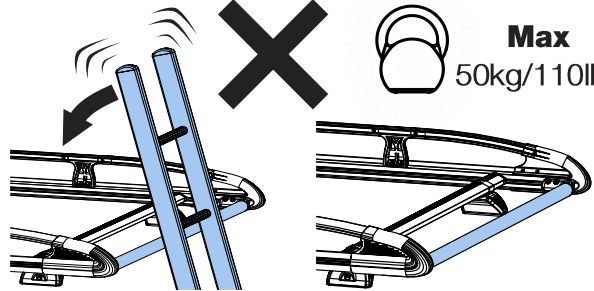
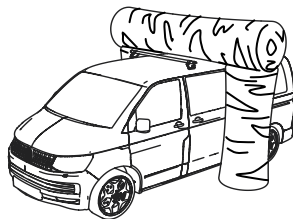
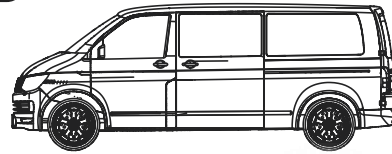
Instructions



CITY CRASH (✓)
According to ISO/ PAS 11154:2006

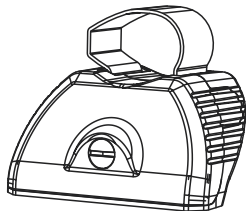
TB3KR:

Ford Transit Custom, 2012-

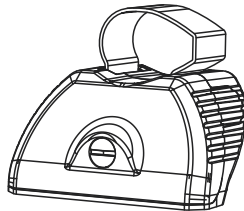


Max
50kg/110lbs

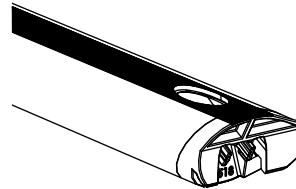
KammRack



SA397U x 3



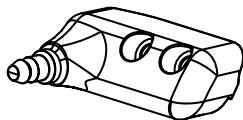
SA398U x 3



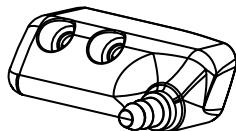
**SA429/
SA467**



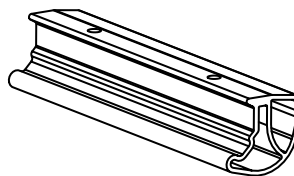
C04 x 6
optional upgrade



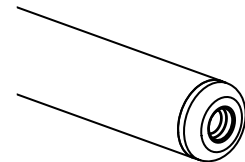
PS519 x 1



PS520 x 1

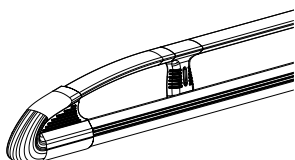


EXT15-02

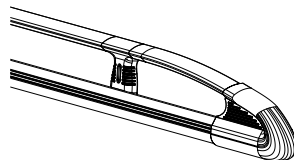


SA437 x 1

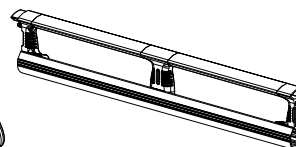
LHS x 2



RHS x 2

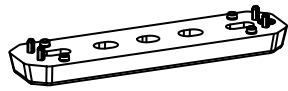


Centre x 2



ASF x 1

Fitting Kit



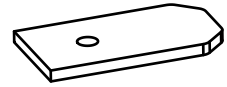
PS178 x 4



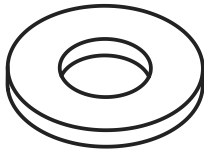
FT01 x 1



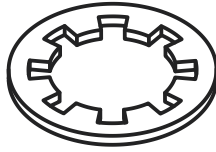
PS492 x 6



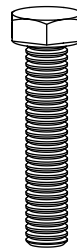
PS491 x 12



FW002 (M8) x 12



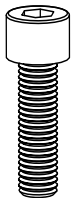
FW009 (M8) x 12



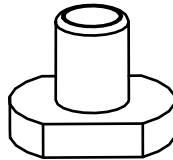
**FS061
(M6 x 35) x 8**



**FS062
(M6 x 25) x 4**



**FS059
(M8 x 25) x 18**



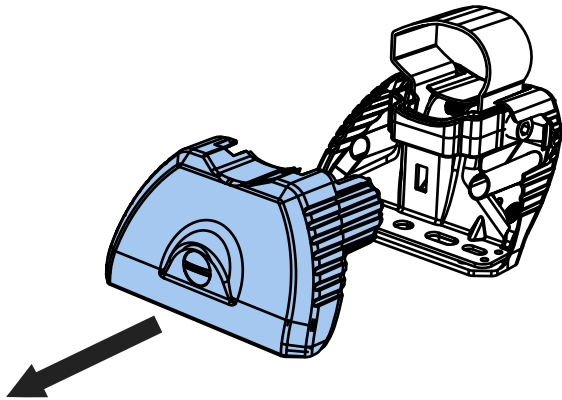
FN085 x 18



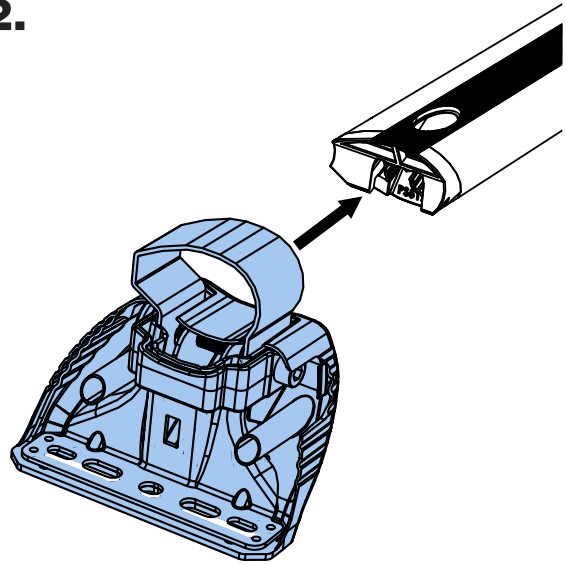
FT05 x 1



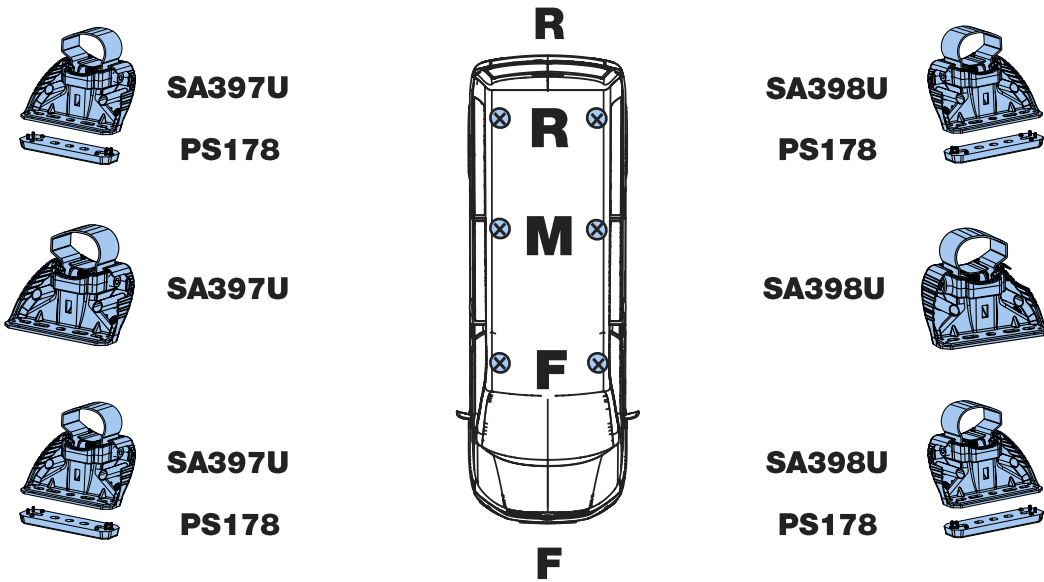
1.



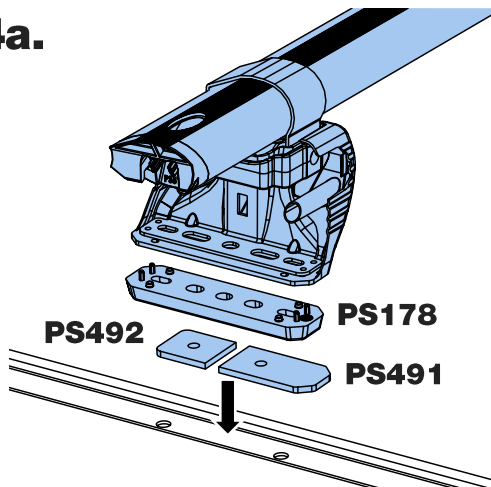
2.



3

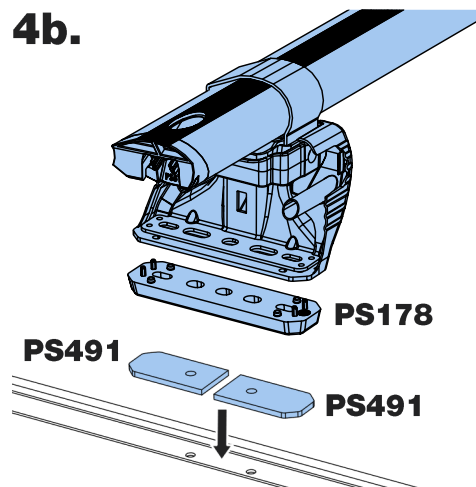


4a.



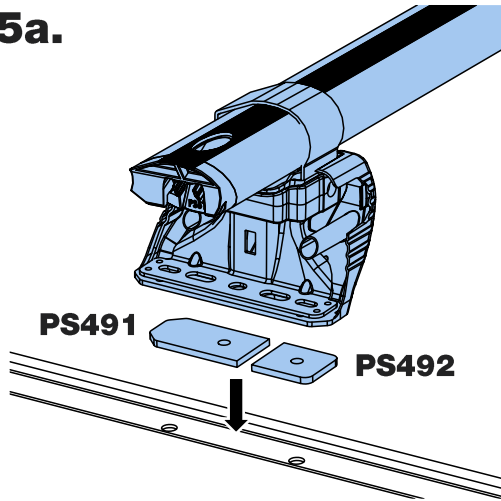
! FORD TRANSIT
CUSTOM 2012-2023 **R**

4b.



! FORD TRANSIT
CUSTOM 2023- **R**

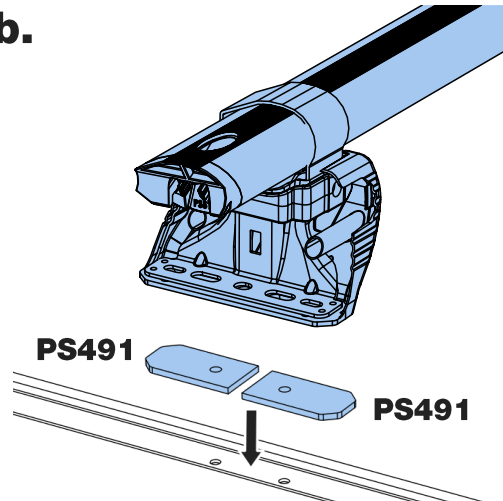
5a.



**! FORD TRANSIT
CUSTOM 2012-2023**

M

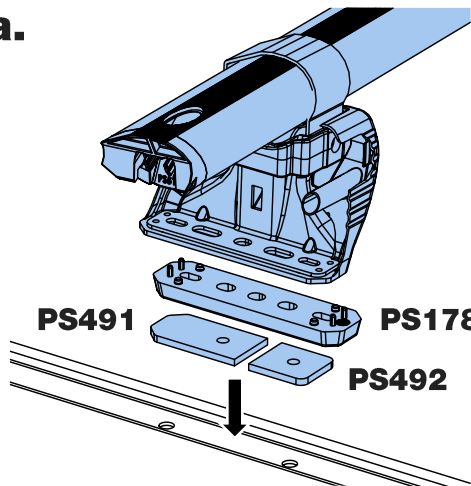
5b.



**! FORD TRANSIT
CUSTOM 2023-**

M

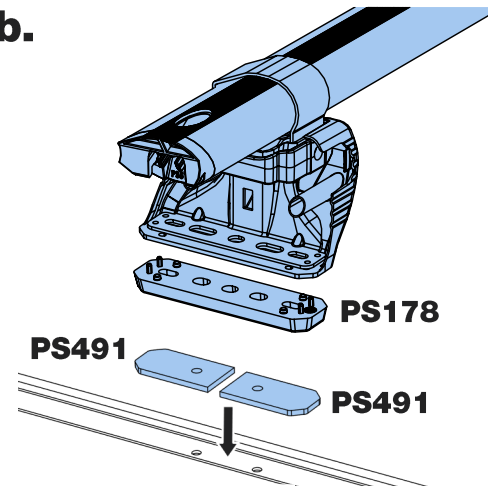
6a.



**! FORD TRANSIT
CUSTOM 2012-2023**

F

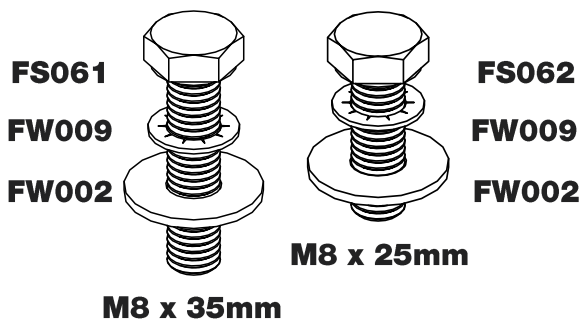
6b.



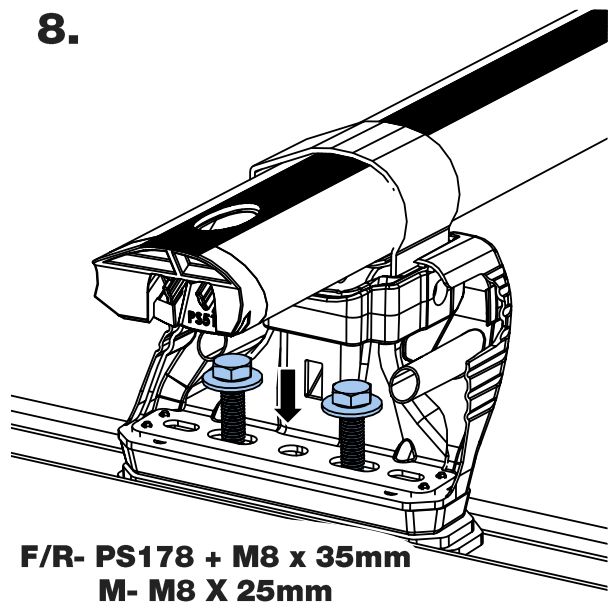
**! FORD TRANSIT
CUSTOM 2023-**

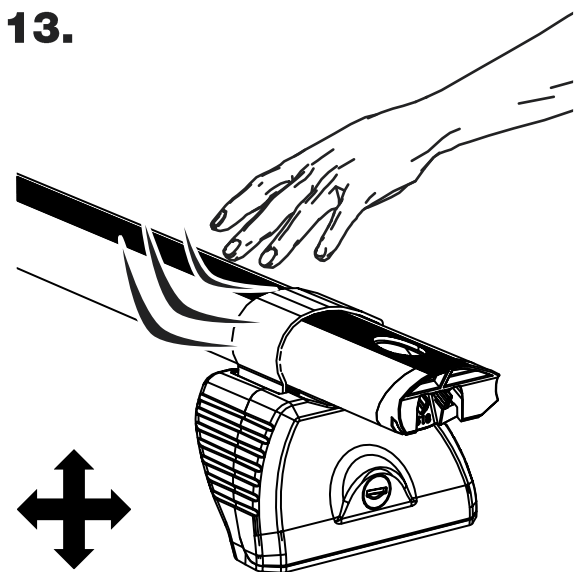
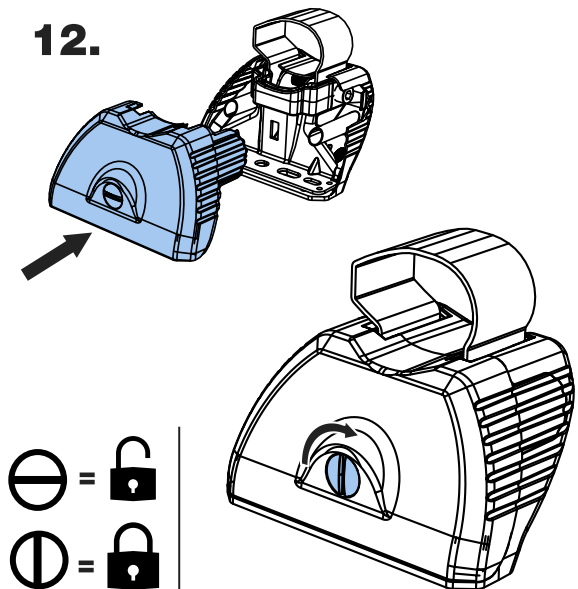
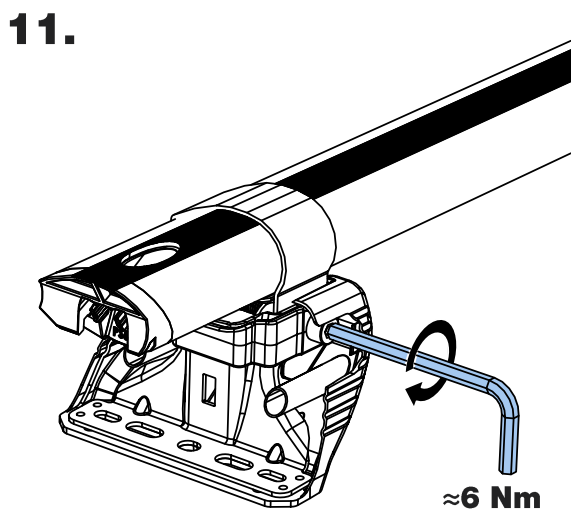
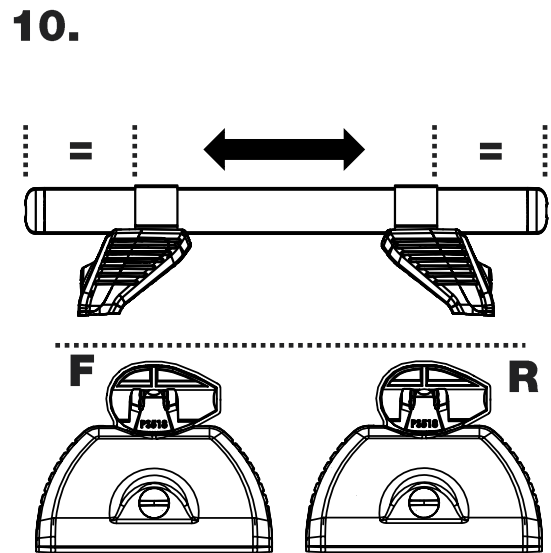
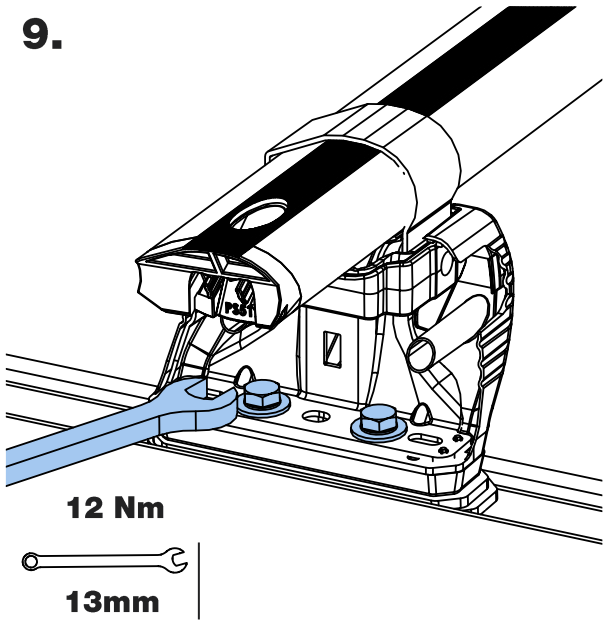
F

7.

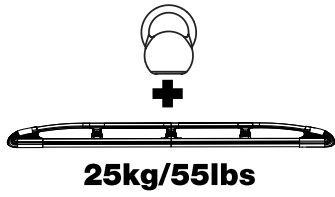


8.

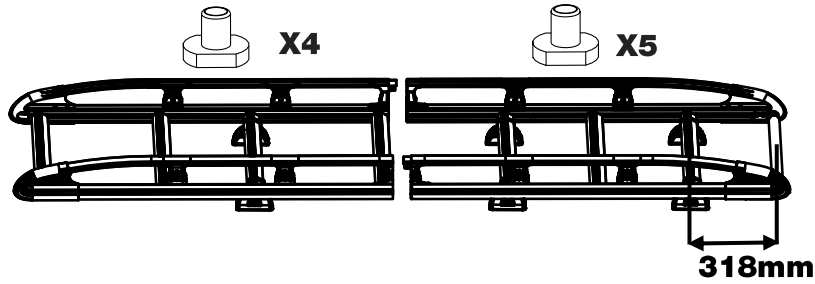
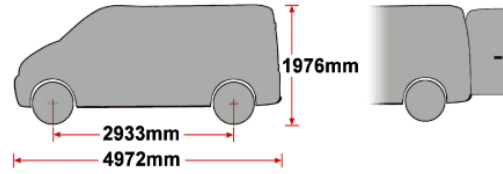




K615/B615- Ford Transit Custom 2012- L1 Twin Doors.

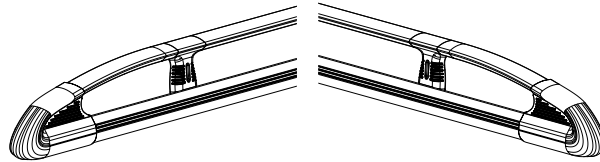


150kg
Max

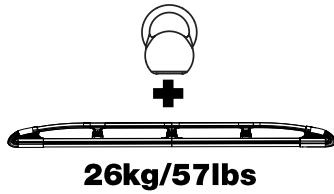


Steps 14-30, 53-62

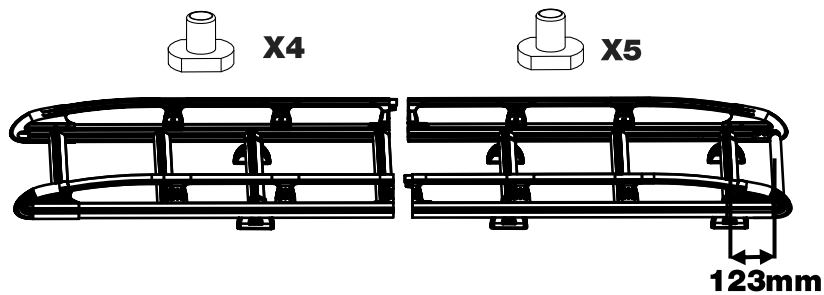
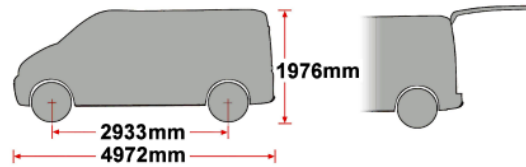
A



K650/B650- Ford Transit Custom 2012- L1, Tailgate.

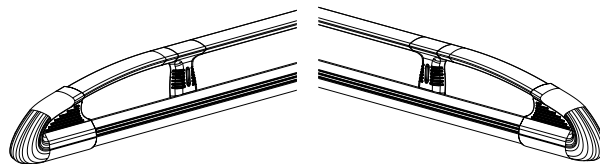


150kg
Max

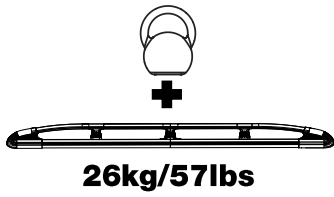


Steps 14-30, 53-62

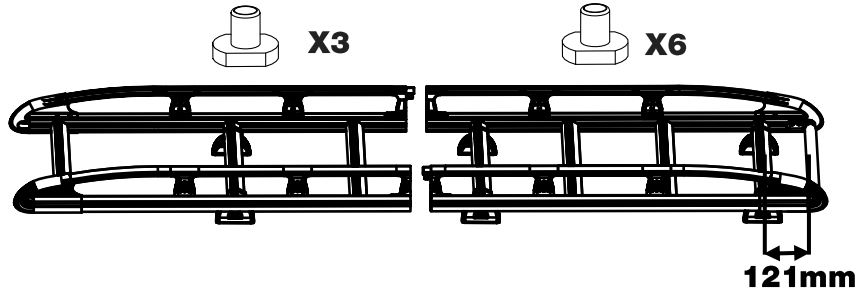
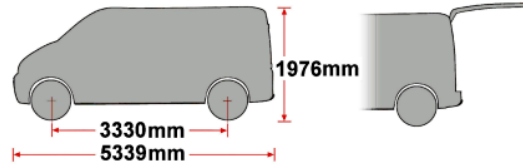
A



K651/B651- Ford Transit Custom 2012- L2, Tailgate.

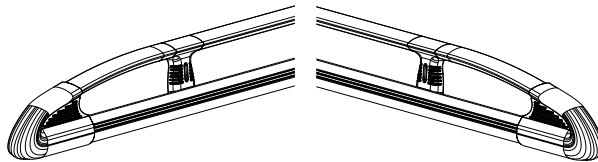


150kg Max

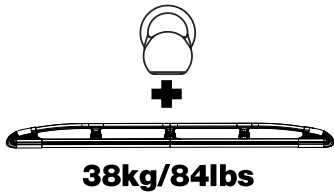


Steps 14-30, 53-62

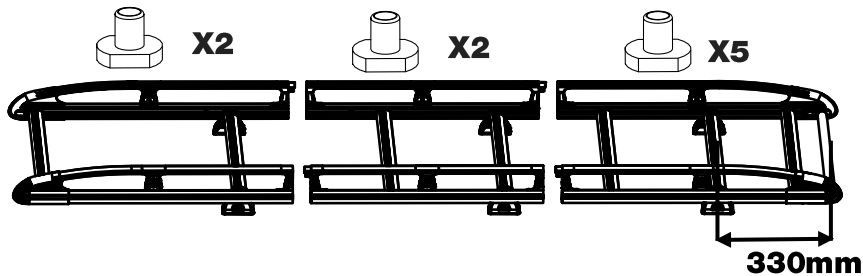
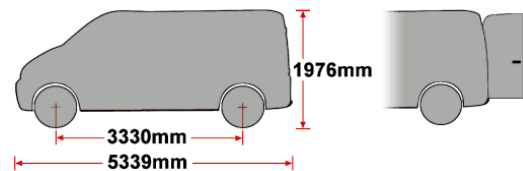
A



K616/B616- Ford Transit Custom 2012- L2, Twin Doors.

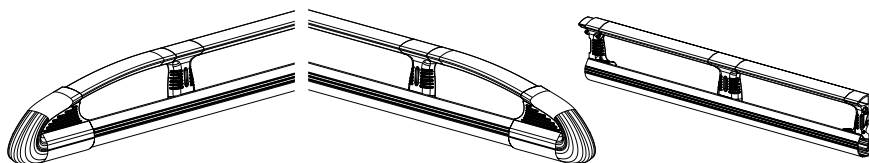


150kg Max

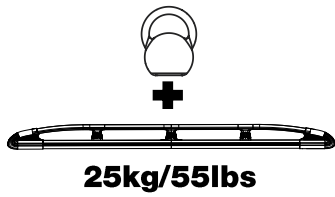


Steps 31-62

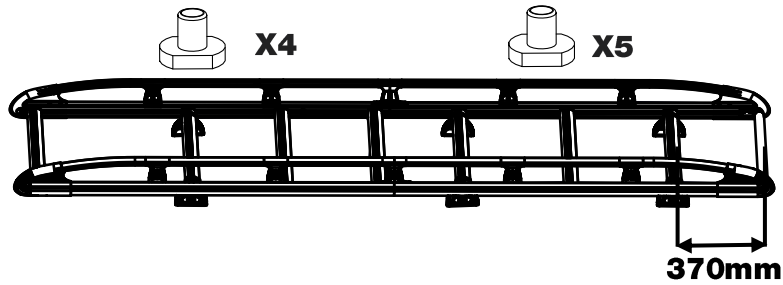
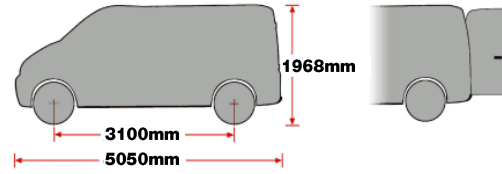
B



K615/B615- Ford Transit Custom 2023- L1 Twin Doors.

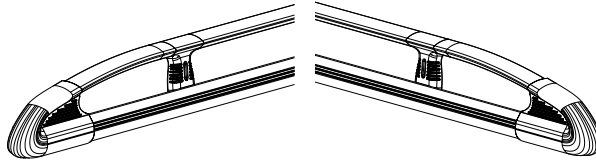


150kg Max

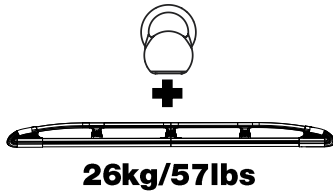


Steps 14-30, 53-62

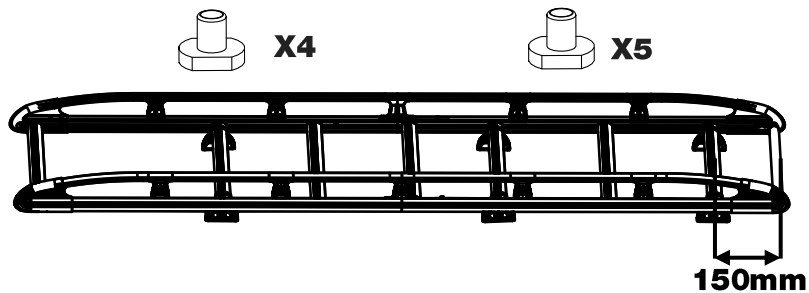
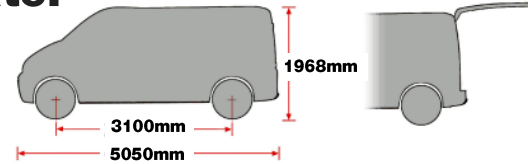
A



K650/B650- Ford Transit Custom 2023- L1, Tailgate.

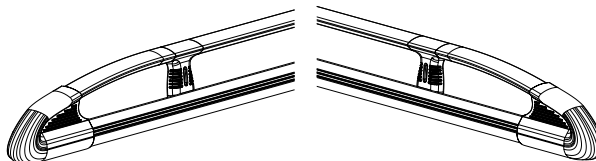


150kg Max

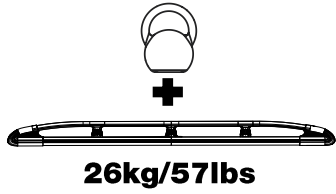


Steps 14-30, 53-62

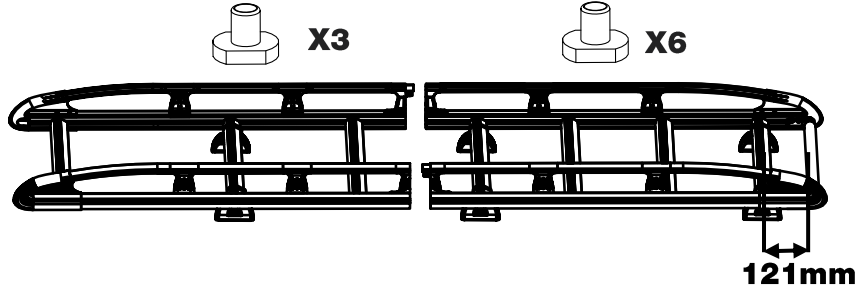
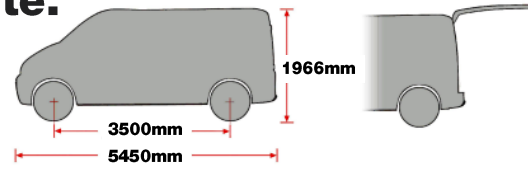
A



K651/B651- Ford Transit Custom 2023- L2, Tailgate.

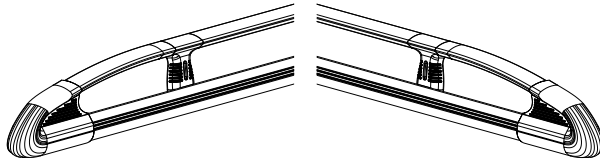


150kg
Max

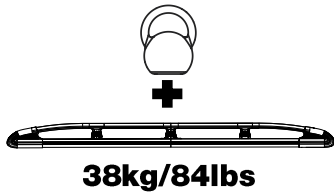


Steps 14-30, 53-62

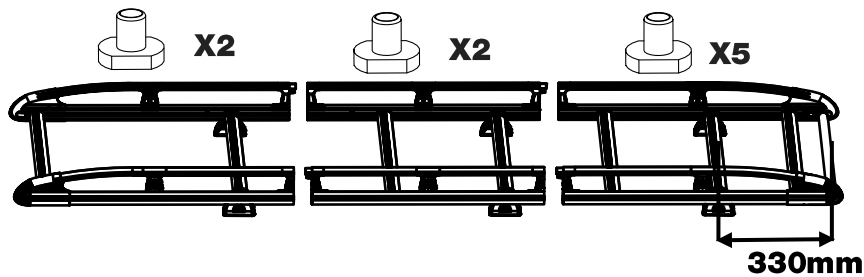
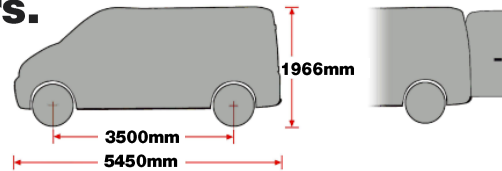
A



K616/B616- Ford Transit Custom 2023- L2, Twin Doors.

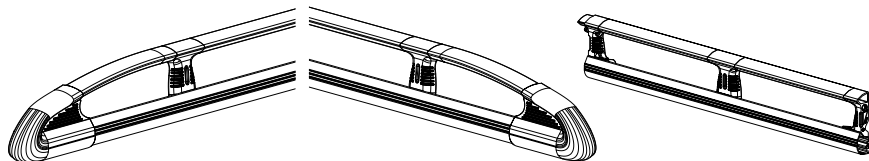


150kg
Max

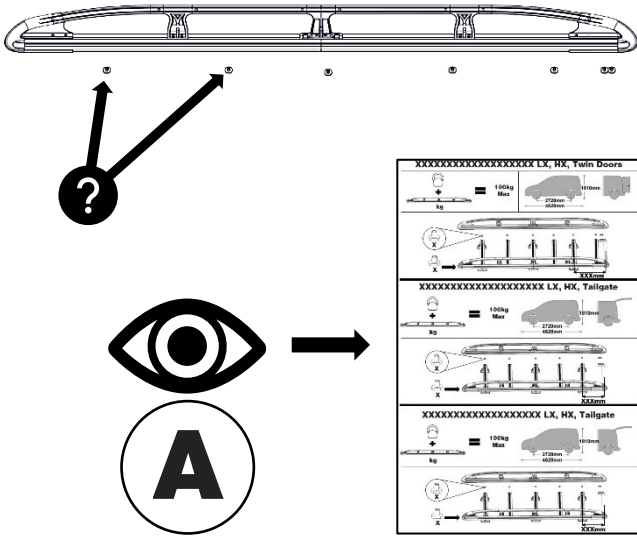


Steps 31-62

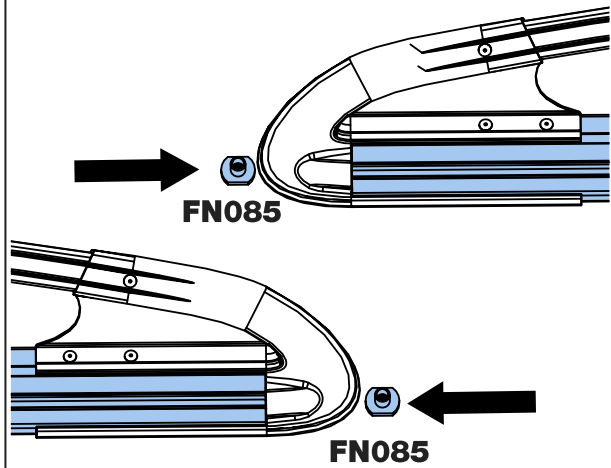
B



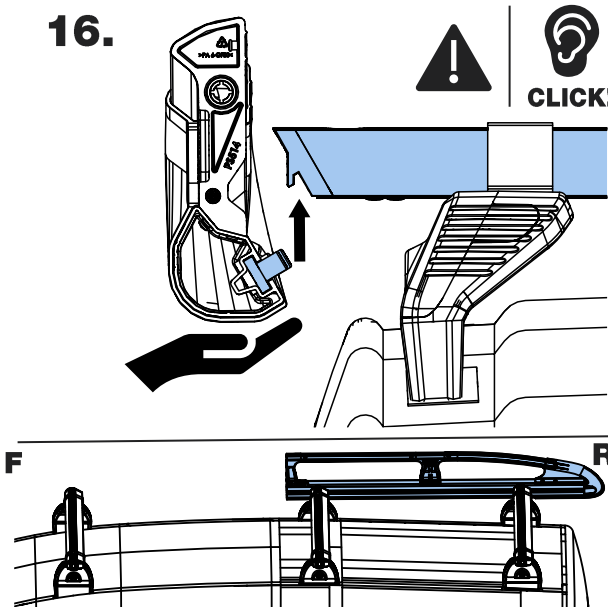
14.



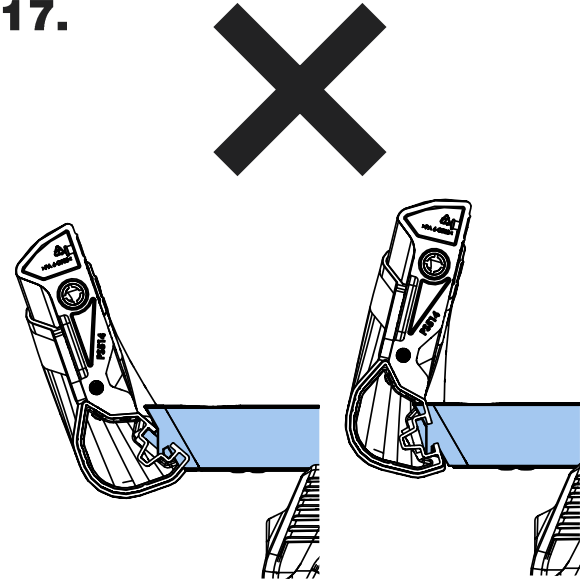
15.



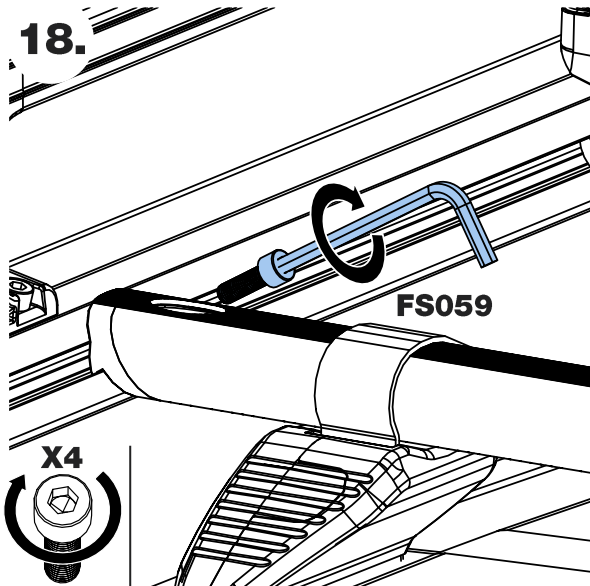
16.



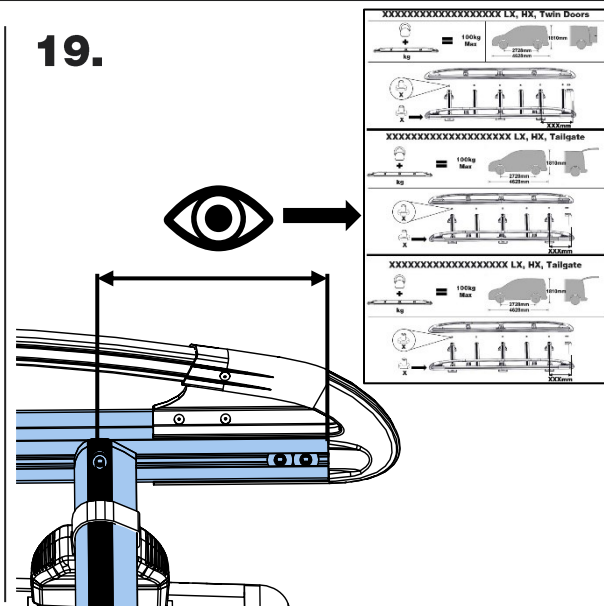
17.

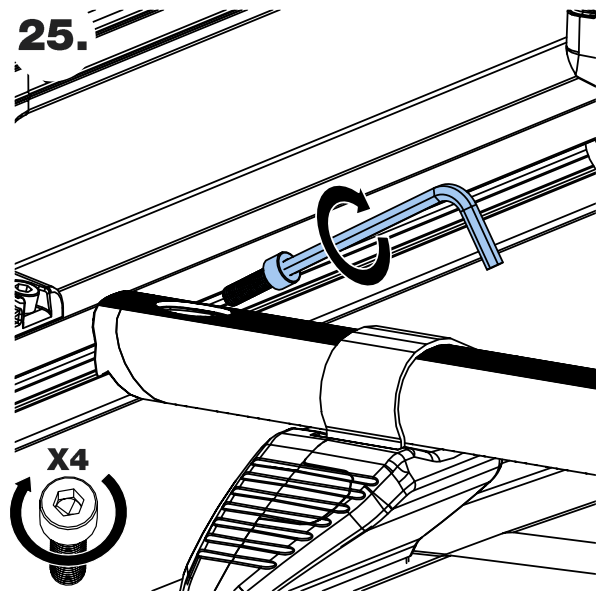
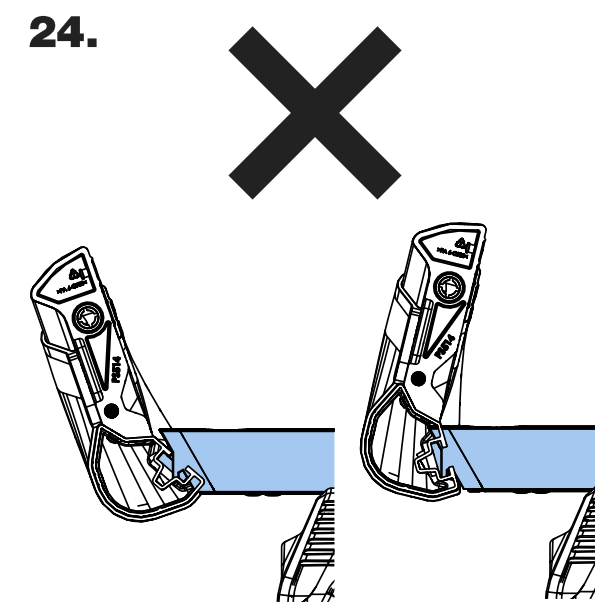
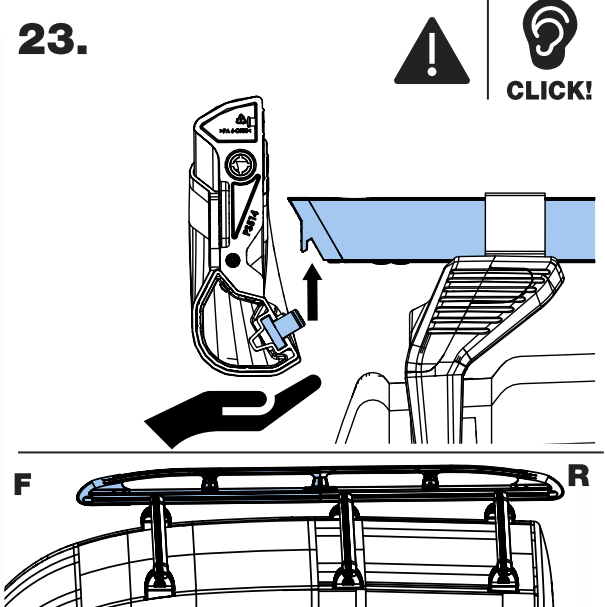
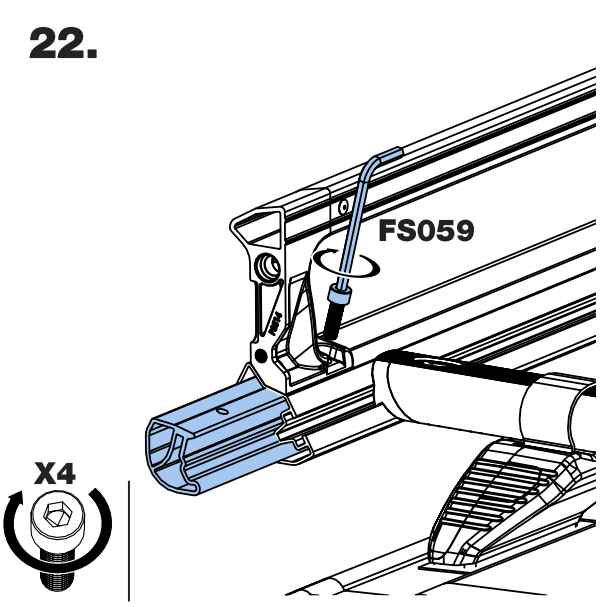
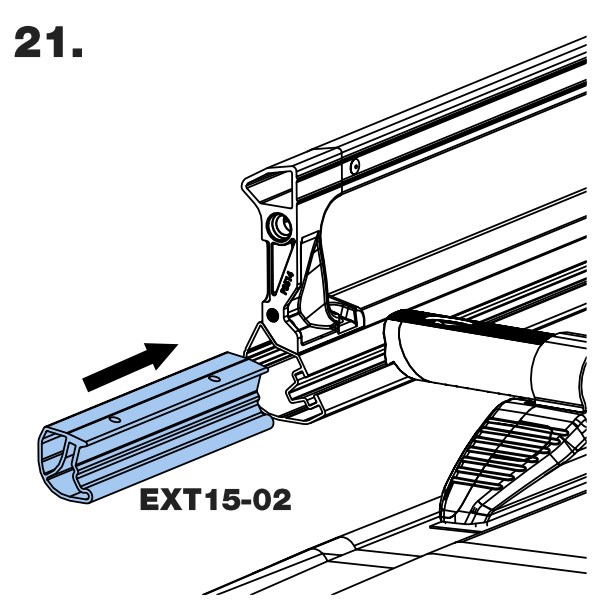
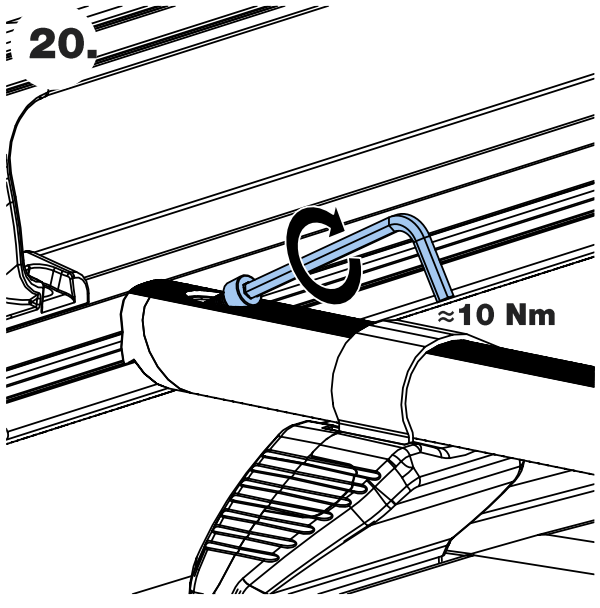


18.

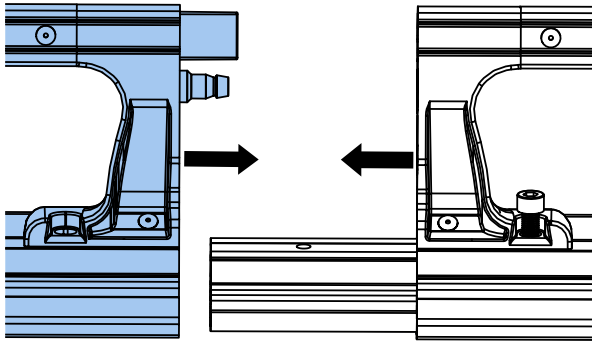


19.

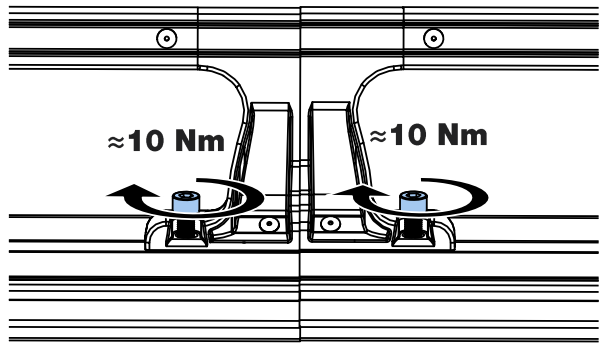




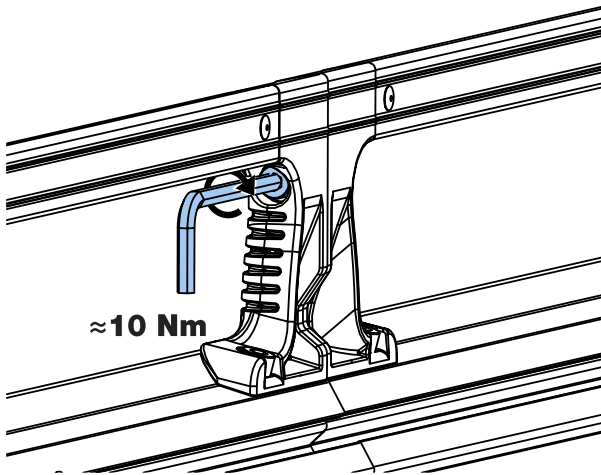
26.



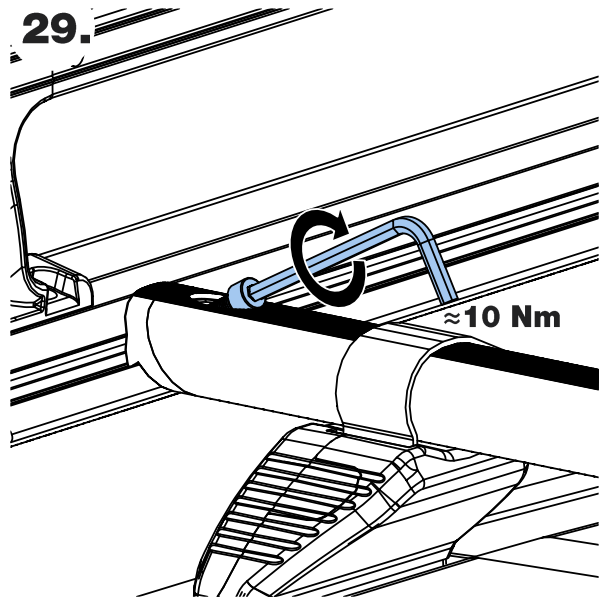
27.



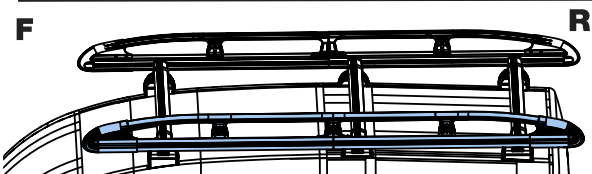
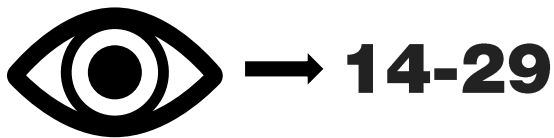
28.



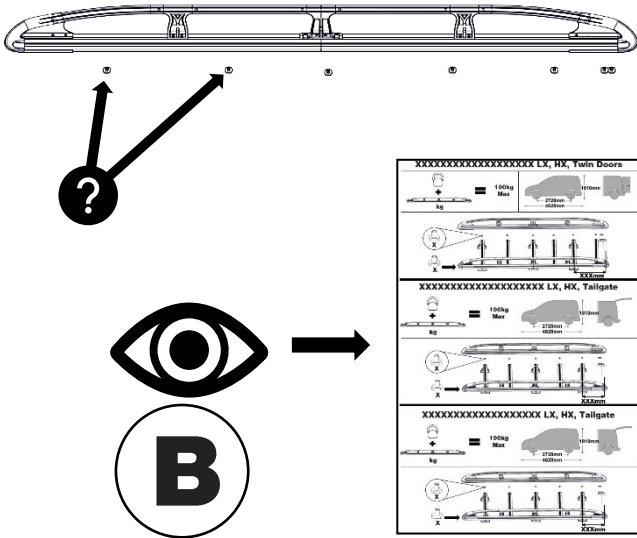
29.



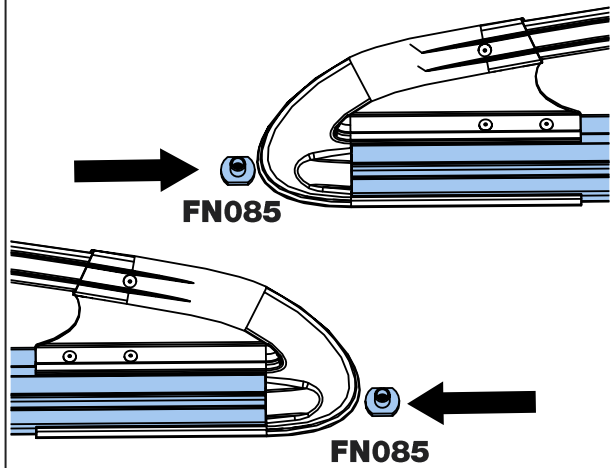
30.



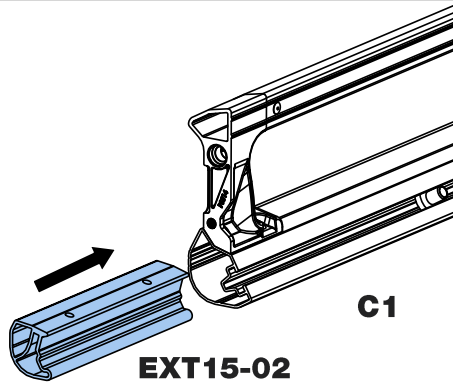
31.



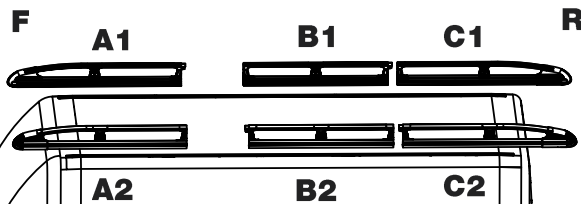
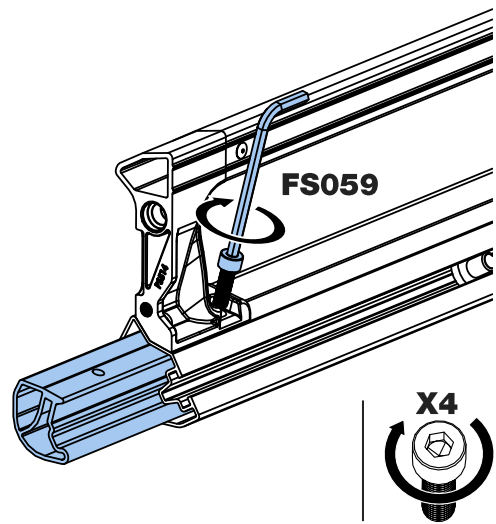
32.



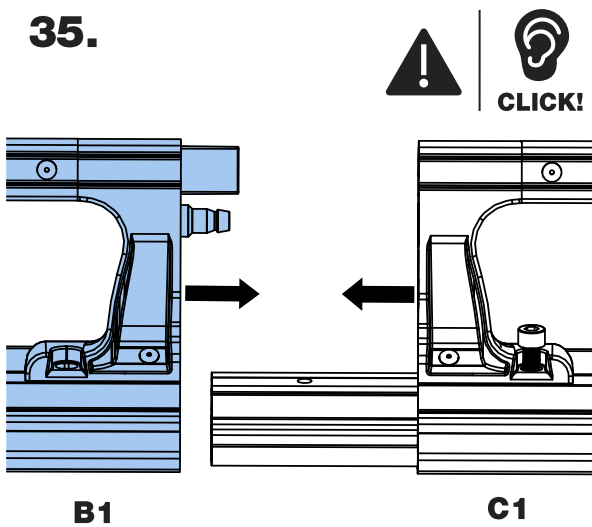
33.



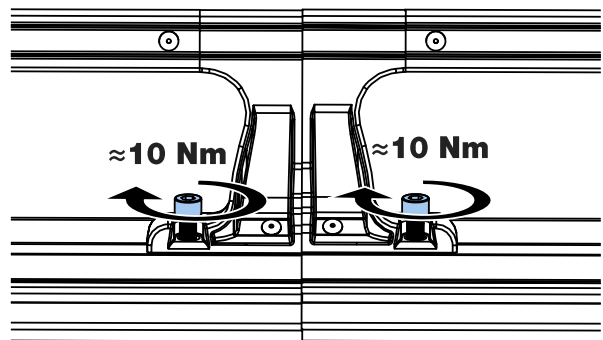
34.



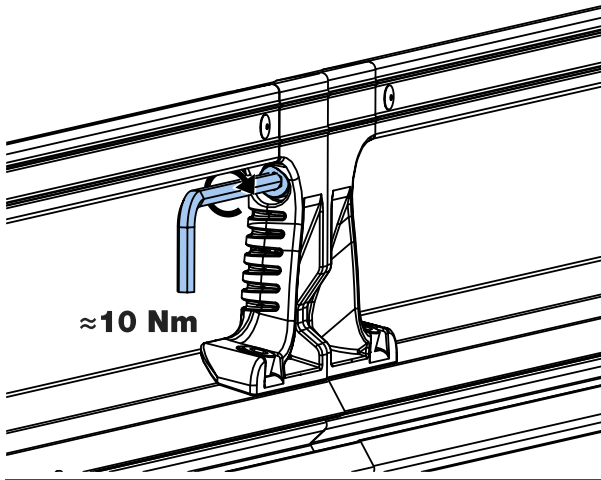
35.



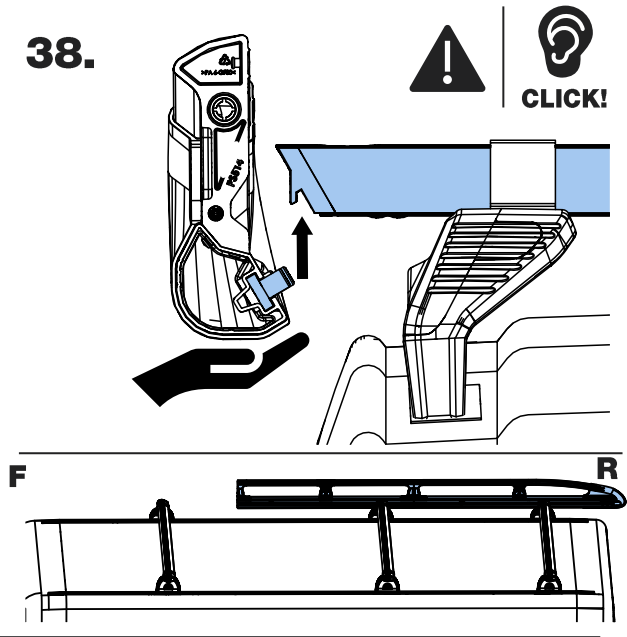
36.



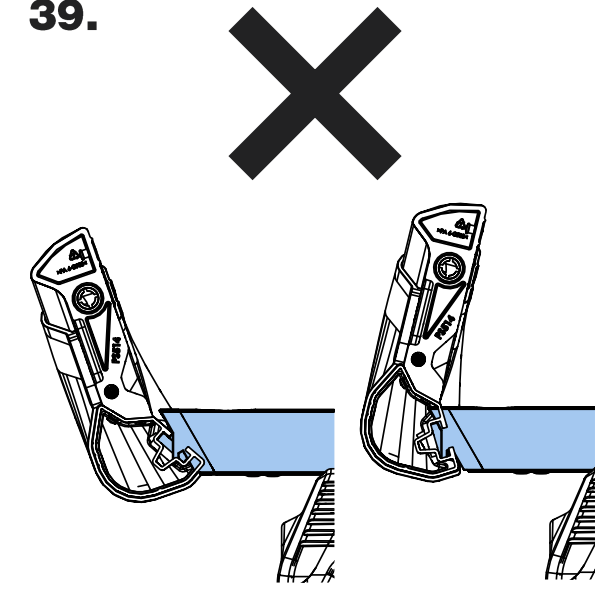
37.



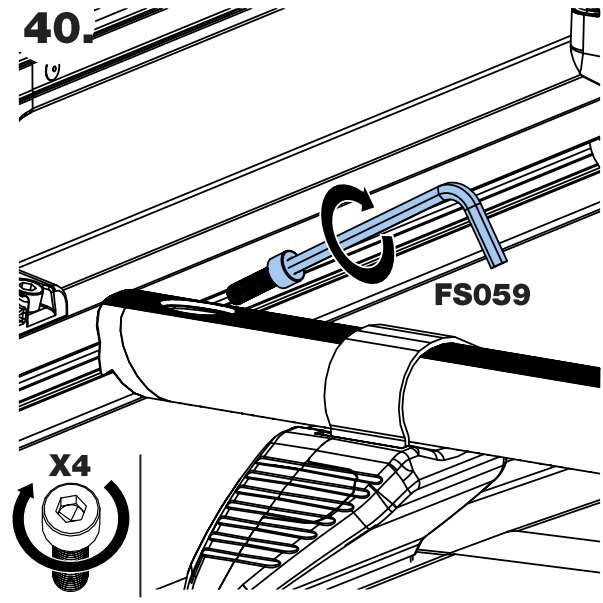
38.



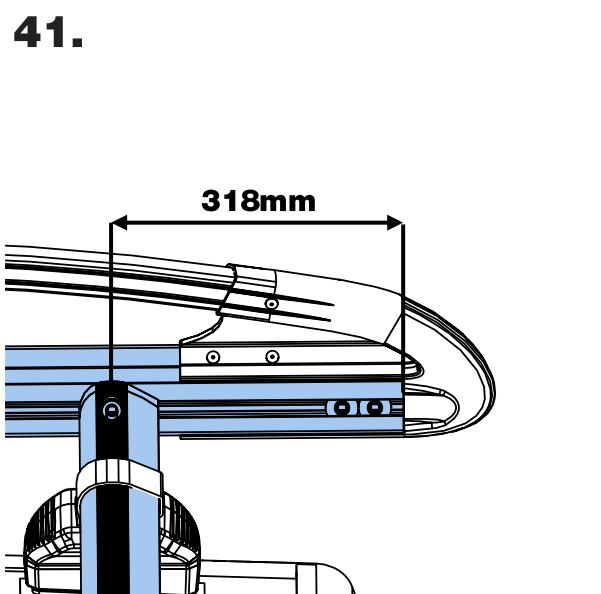
39.



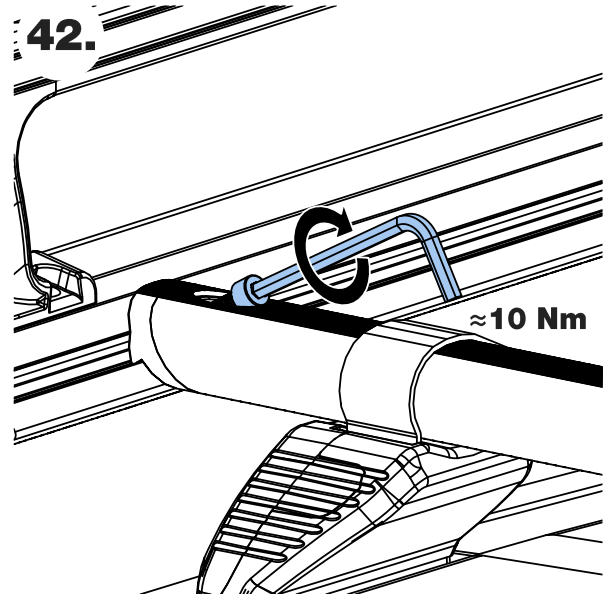
40.



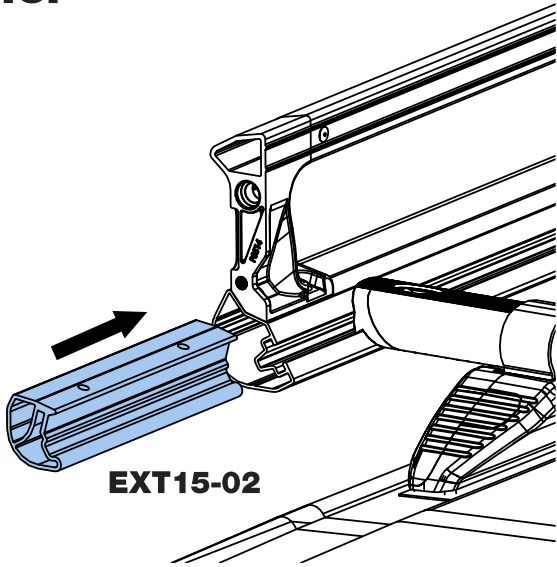
41.



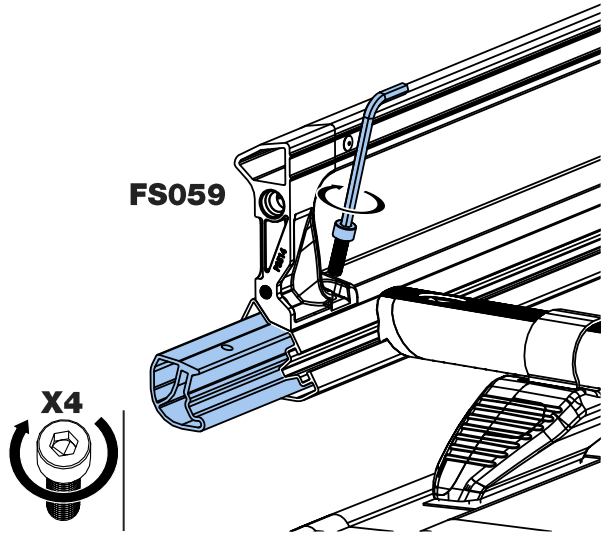
42.



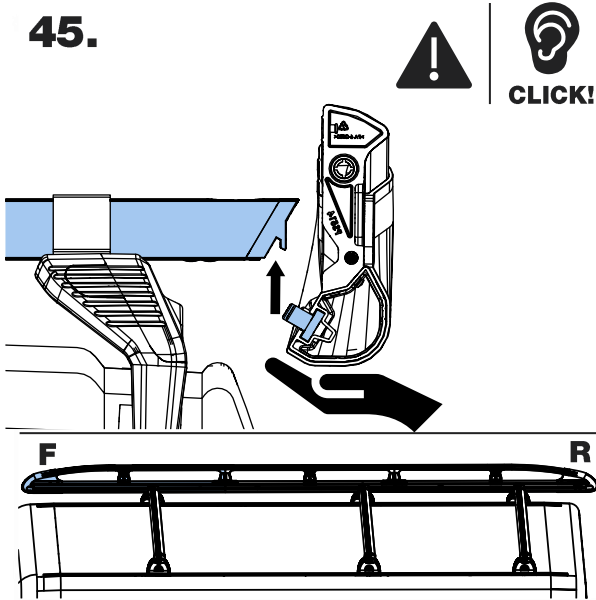
43.



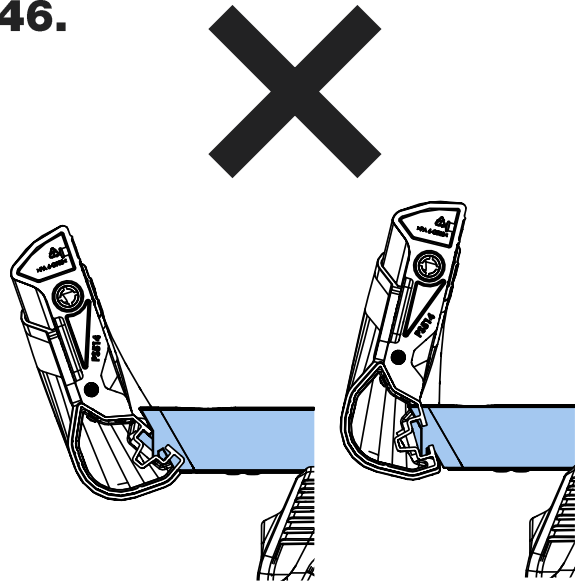
44.



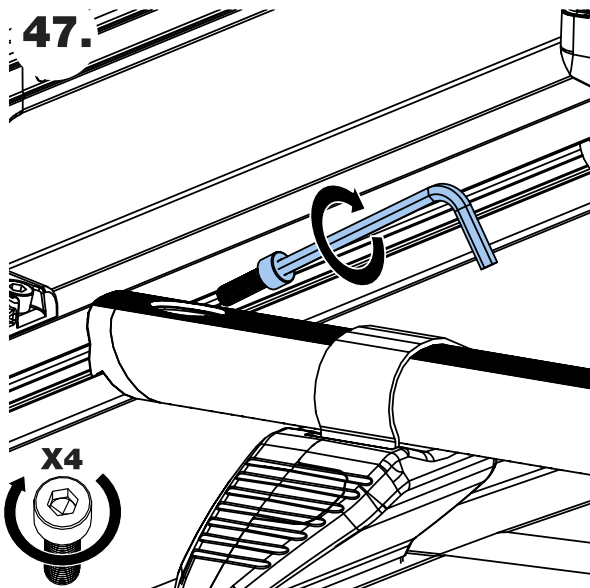
45.



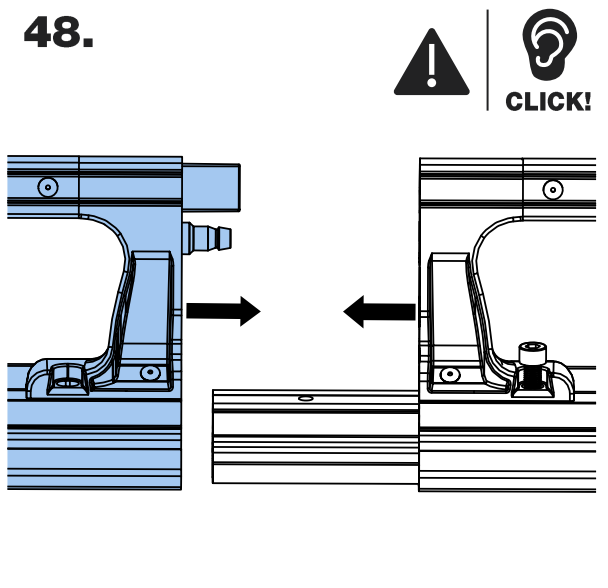
46.



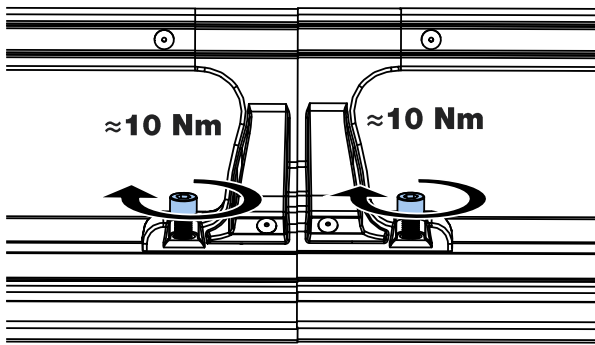
47.



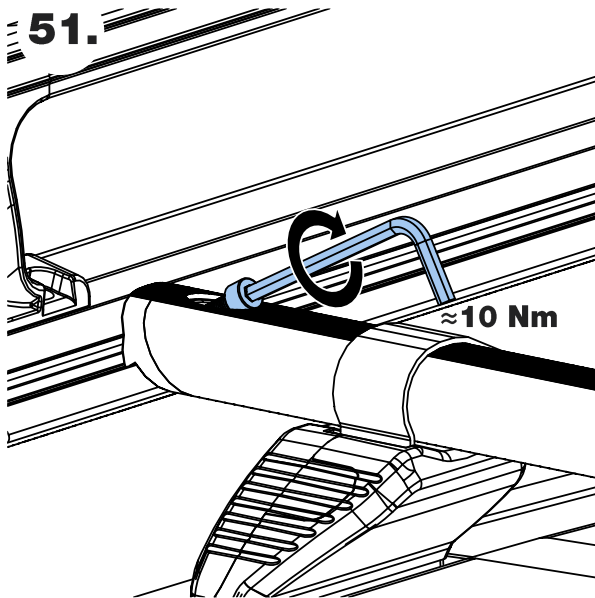
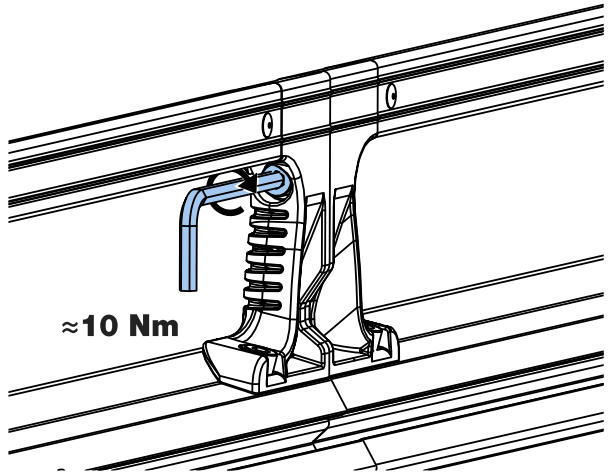
48.



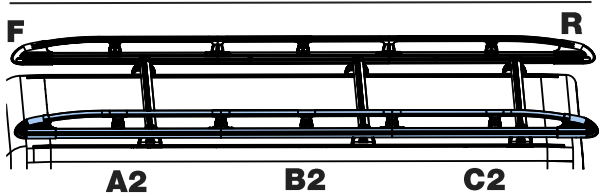
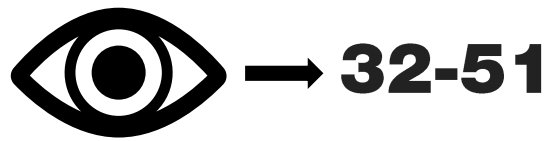
49.



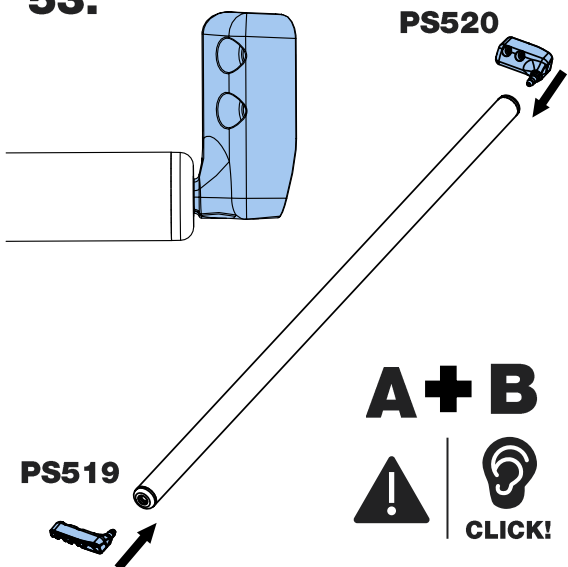
50.



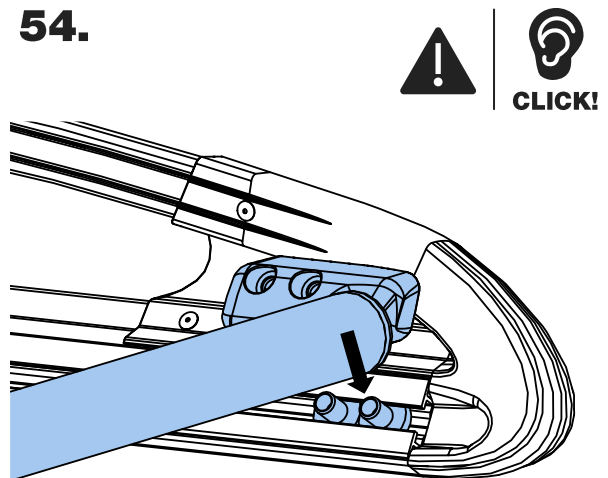
52.



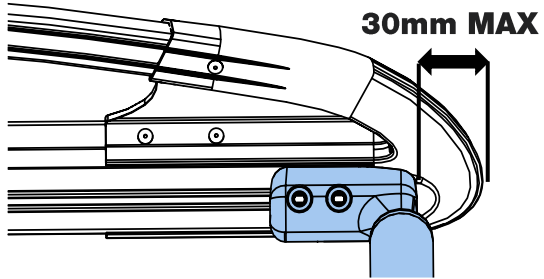
53.



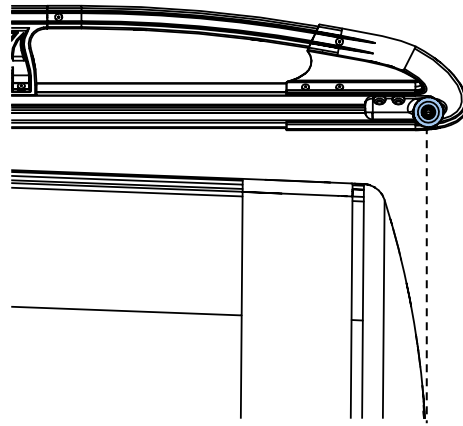
54.



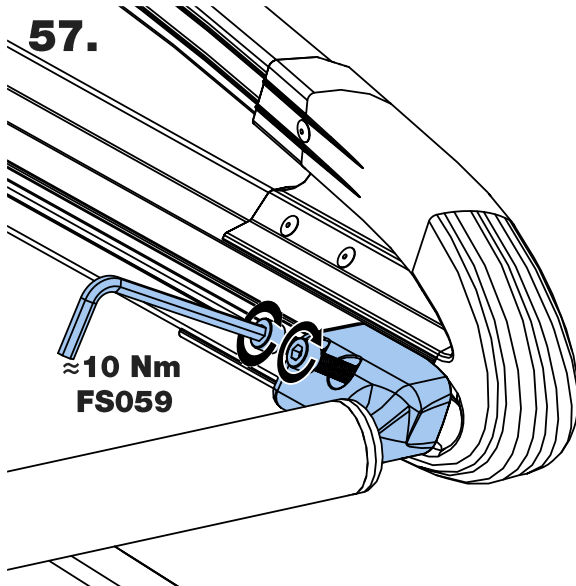
55.



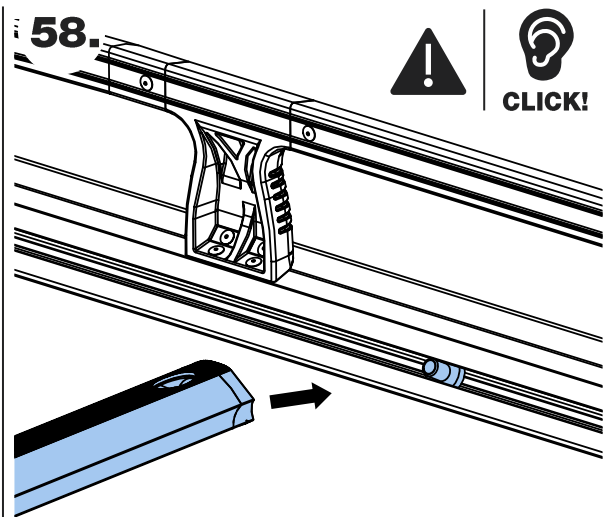
56.



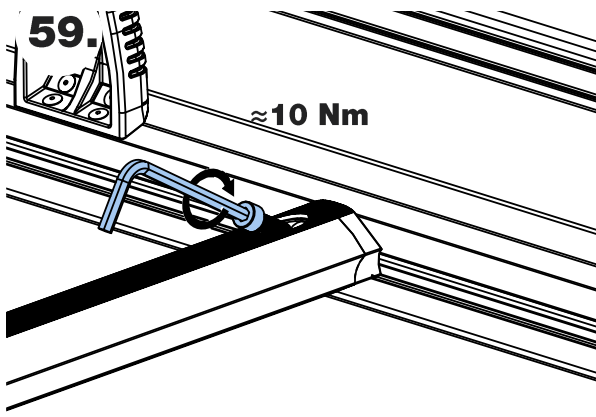
57.



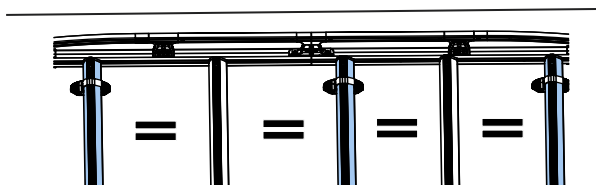
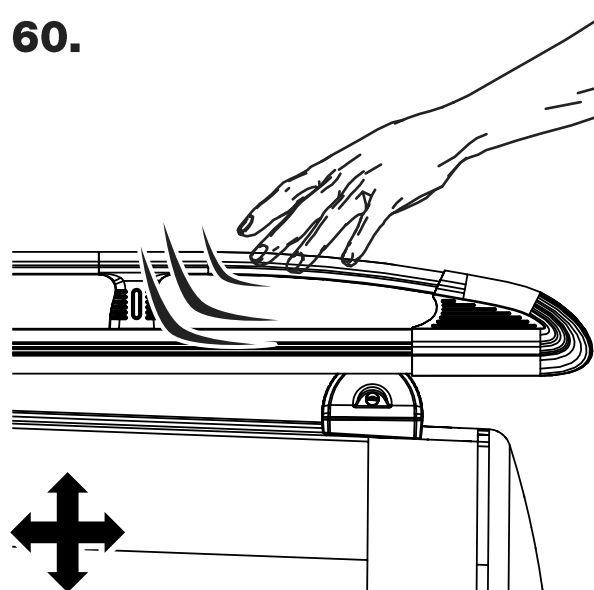
58.



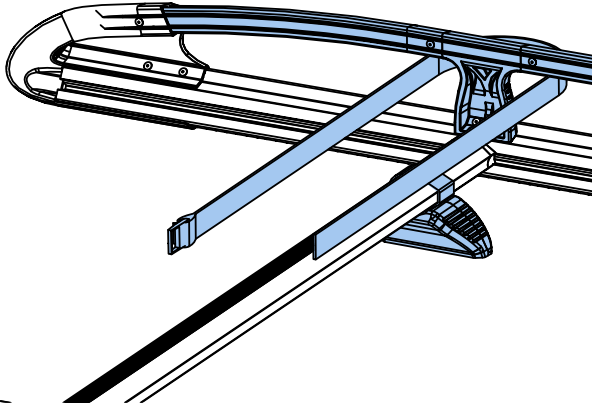
59.



60.



61.



62.

