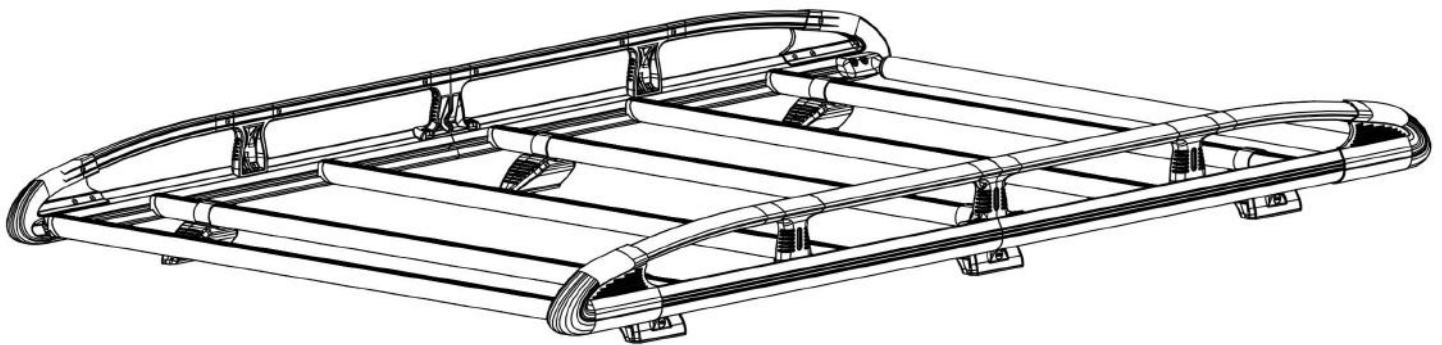


# MB4KR

# KammRack

## Instructions



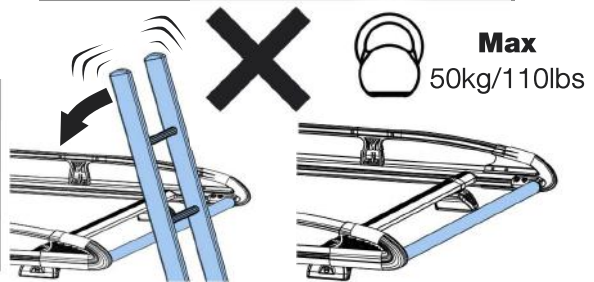
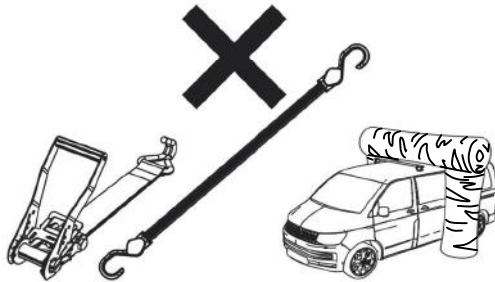
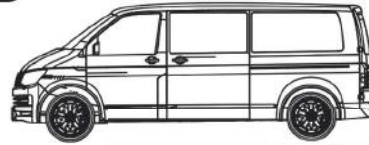
**CITY CRASH** (✓)  
According to ISO/ PAS 11154:2006

**MB4KR:**

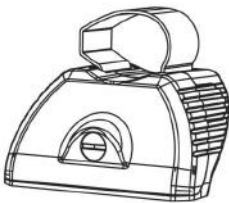
**VAUXHALL** Vivaro 2002

**RENAULT** Traffic 2002-

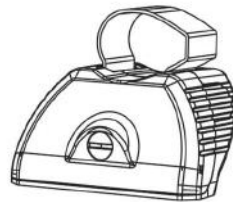
**NISSAN** Primastar 2002-



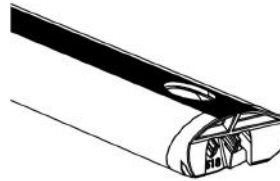
**KammRack**



**SA397U x 3**



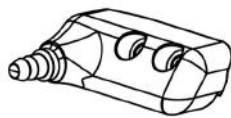
**SA398U x 3**



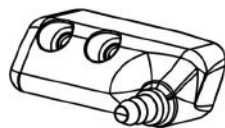
**SA430**



**C04 x 6**  
\*optional upgrade\*



**PS519 x 1**



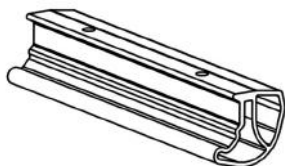
**PS520 x 1**

**LHS x 2**

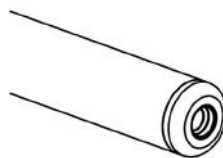
**RHS x 2**



**ASF x 1**



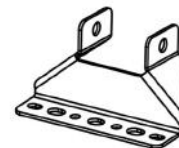
**EXT15-02 x 2**



**SA438 x 1**

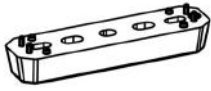


**MS1142 x 2**



**MS1664 x 2**

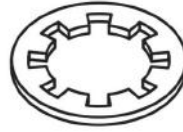
# Fitting Kit



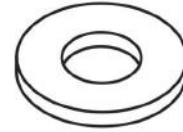
PS183 x 6



FN020 (M6) x 14



FW008 (M6)  
x 14



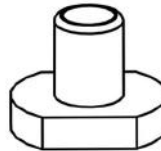
FW001 (M6)  
x 14



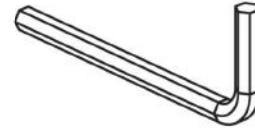
FS042   
(M6 x 40) x 12



FS059   
(M8 x 25) x 18



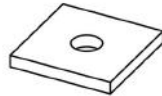
FN085 x 18



FT01 x 1



FT05 x 1



PS024 x 12



FS001  
(M6 x 20)  
x 2



FB003  
(M8 x 65)  
x 2



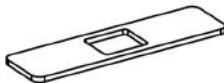
PS035 x 2



FW002 (M8) x 4

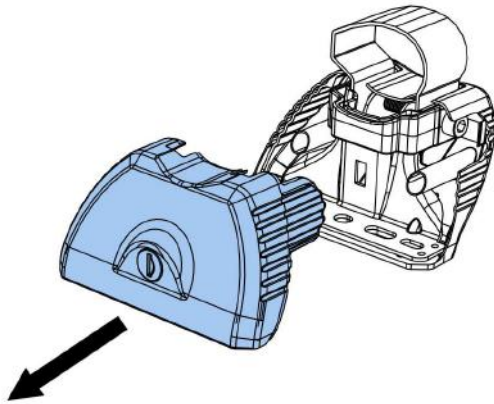


FN006 (M8) x 2

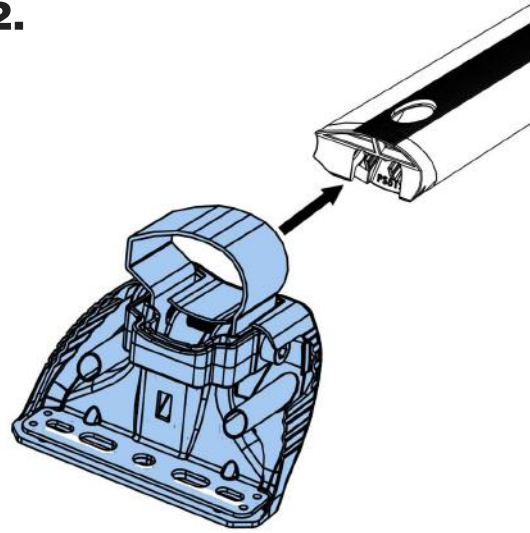


PS047 x 2

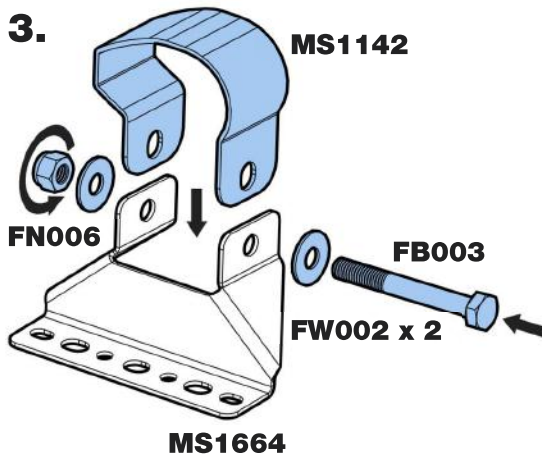
1.



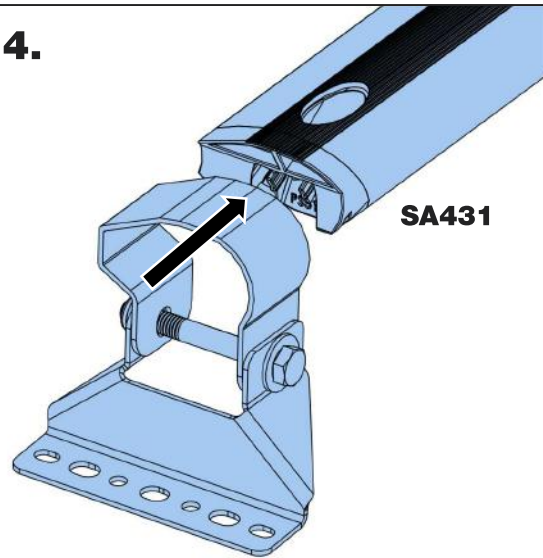
2.



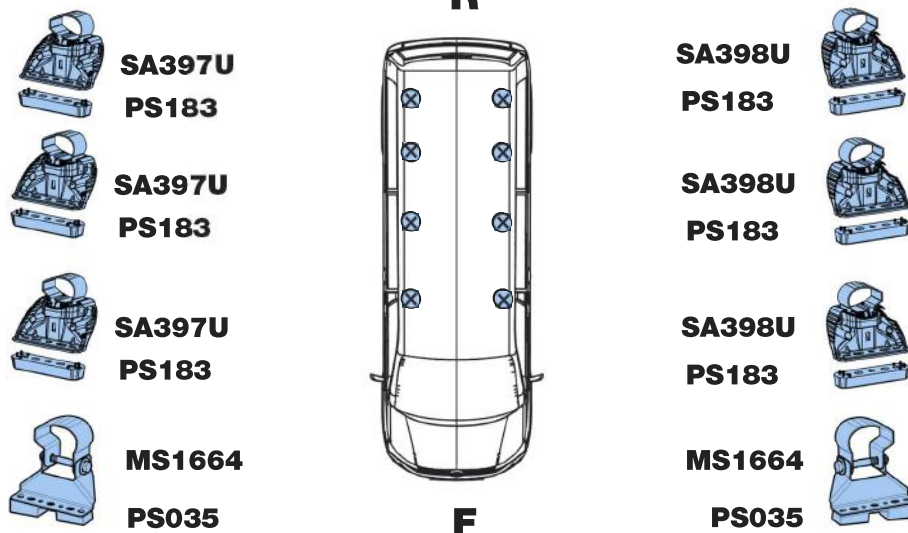
3.

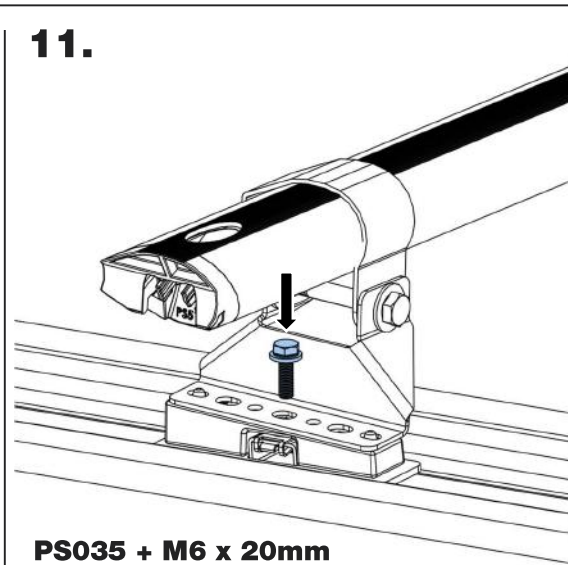
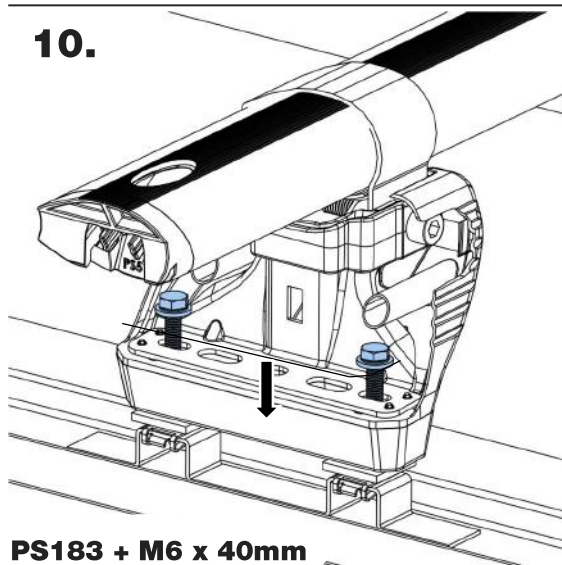
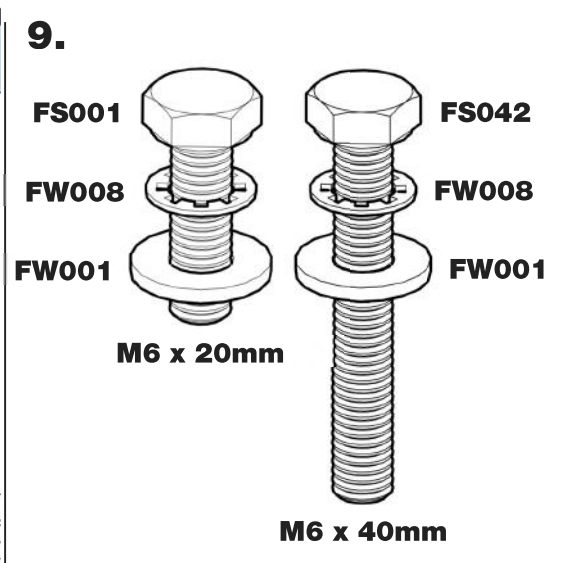
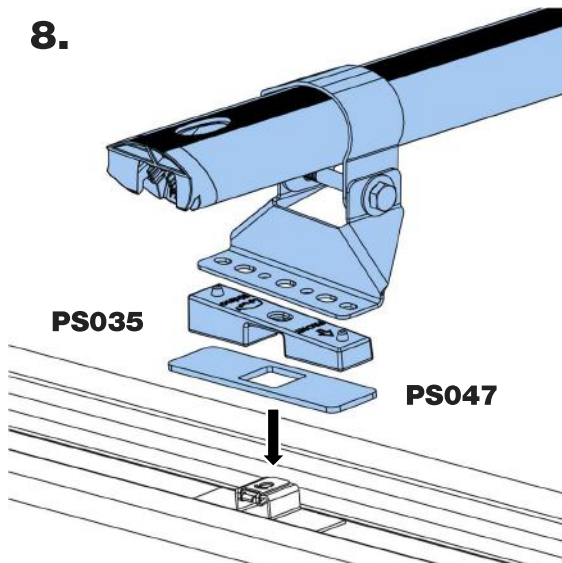
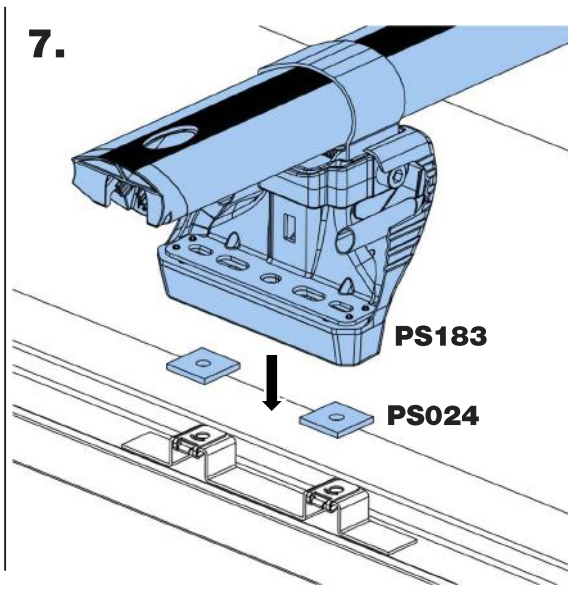
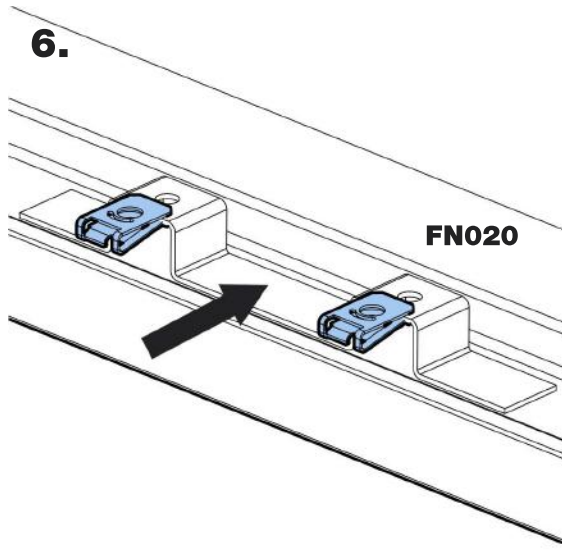


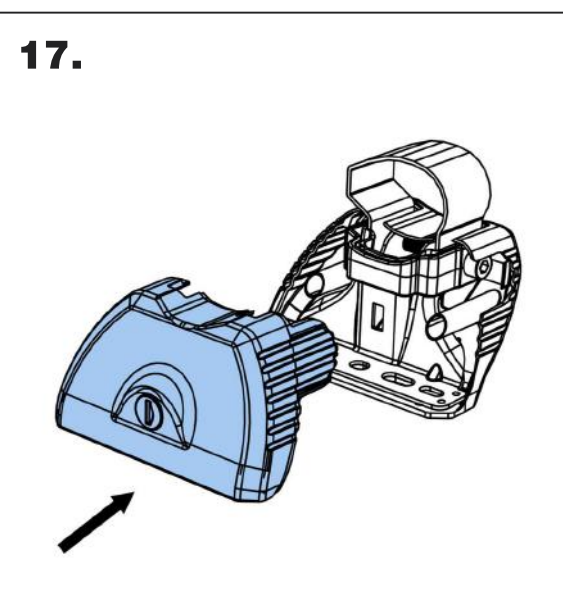
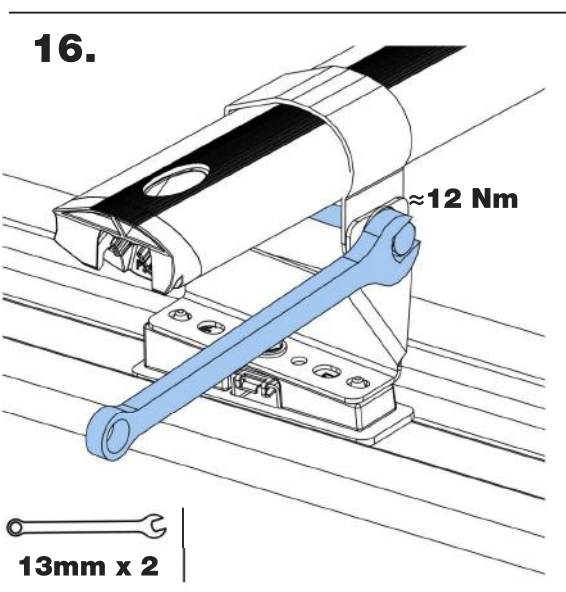
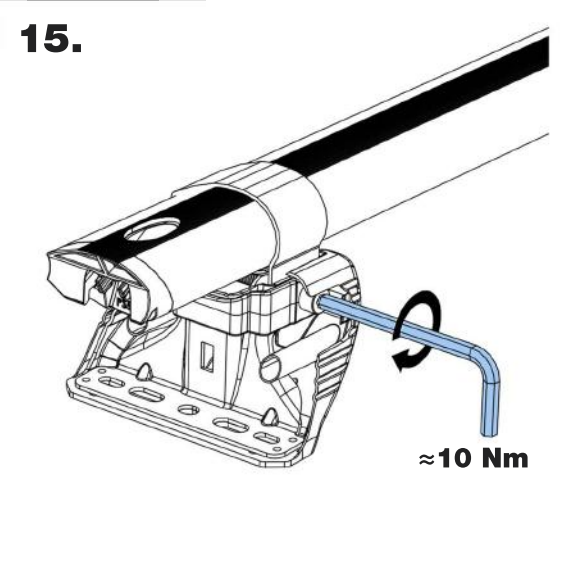
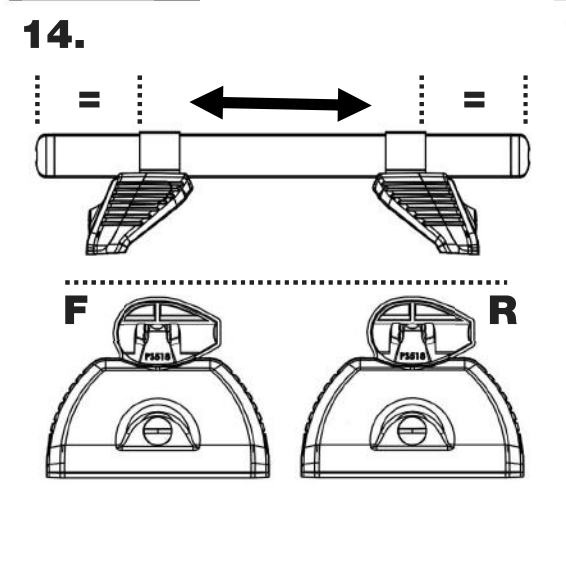
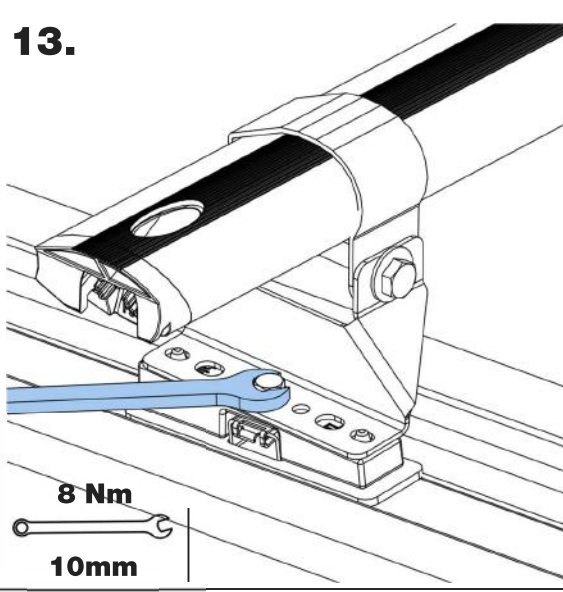
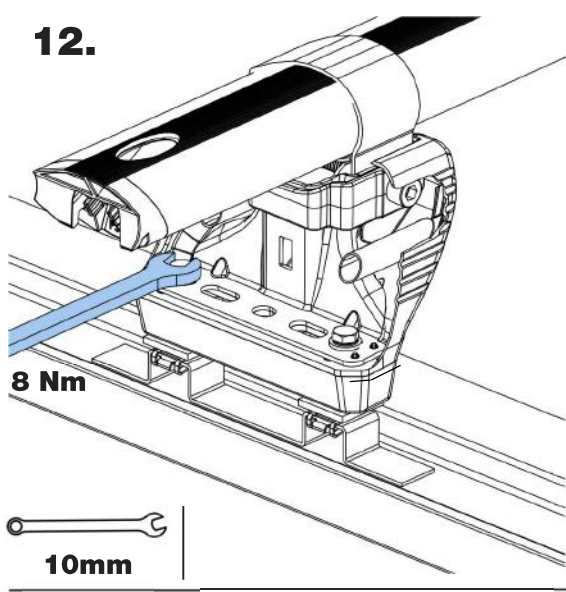
4.



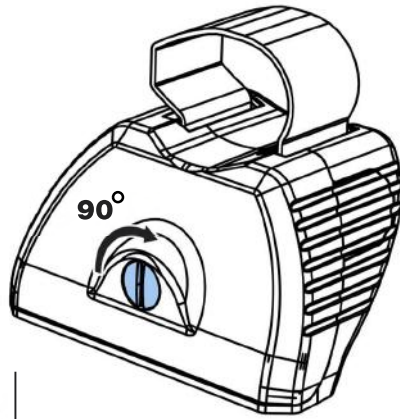
5.



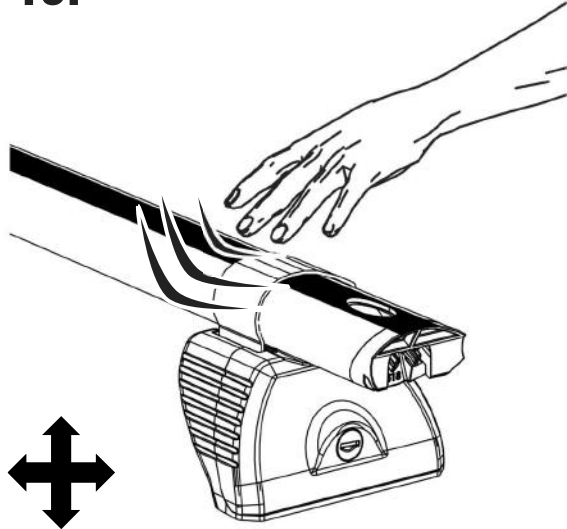




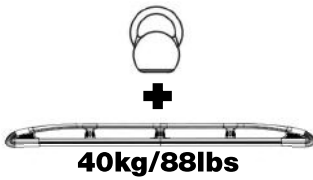
18.



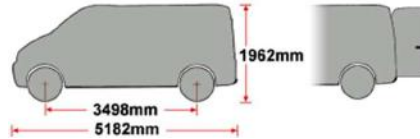
19.



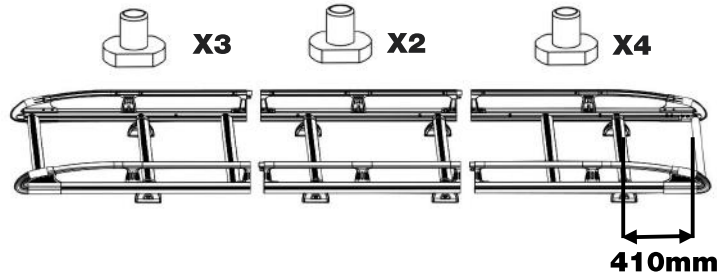
**K504- VIVARO/TRAFIC/PRIMASTAR 2002-L2, H1  
Twin Doors**



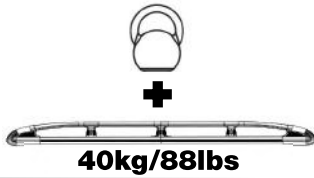
**= 100kg  
Max**



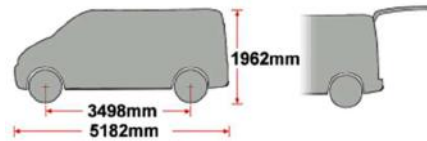
**A**



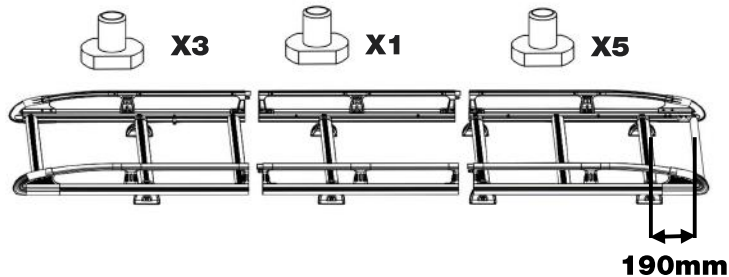
**K504- VIVARO/TRAFIC/PRIMASTAR 2002-L2, H1  
Tailgate**



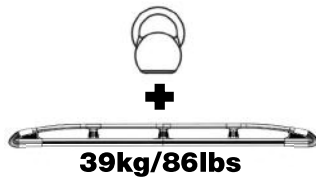
**= 100kg  
Max**



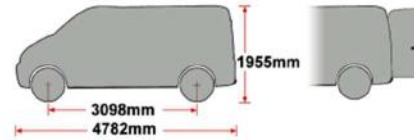
**A**



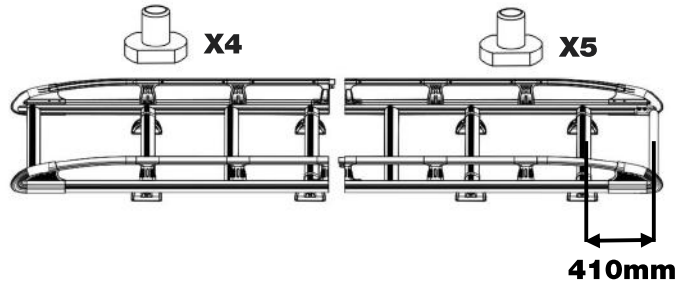
## K501- VIVARO/TRAFIC/PRIMASTAR 2002-L1, H1 Twin Doors



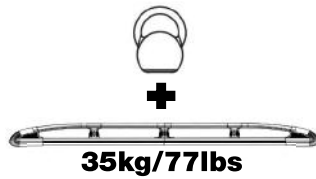
**=** 100kg  
Max



**B**



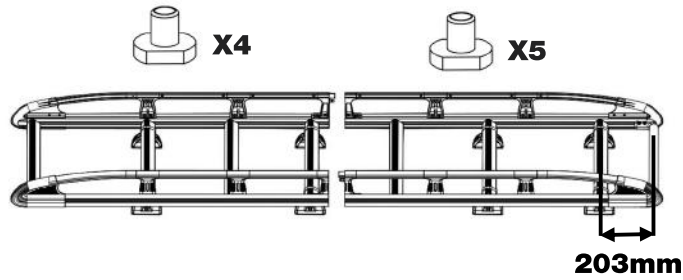
## K502- VIVARO/TRAFIC/PRIMASTAR 2002-L1, H1 Tailgate



**=** 100kg  
Max

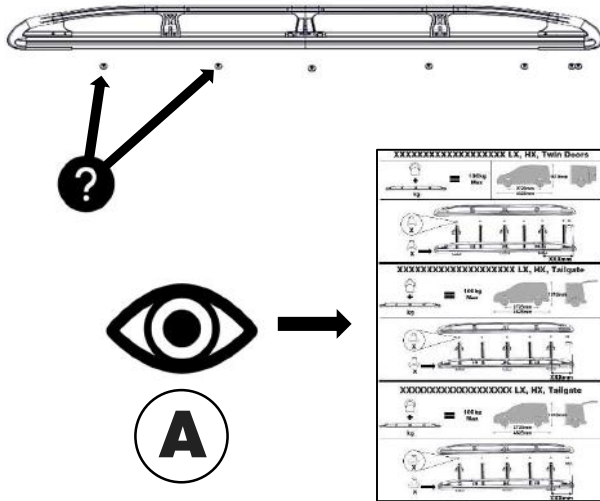


**B**

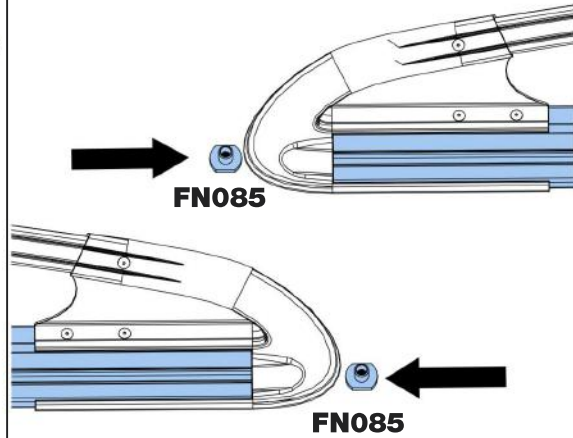




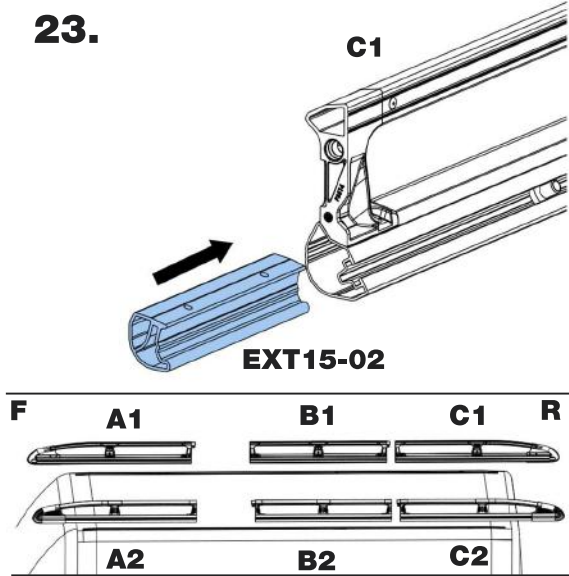
21.



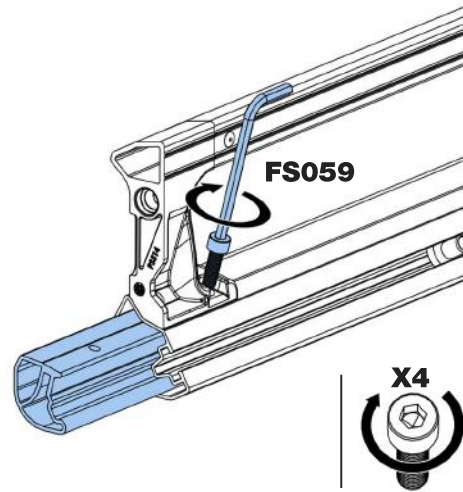
22.



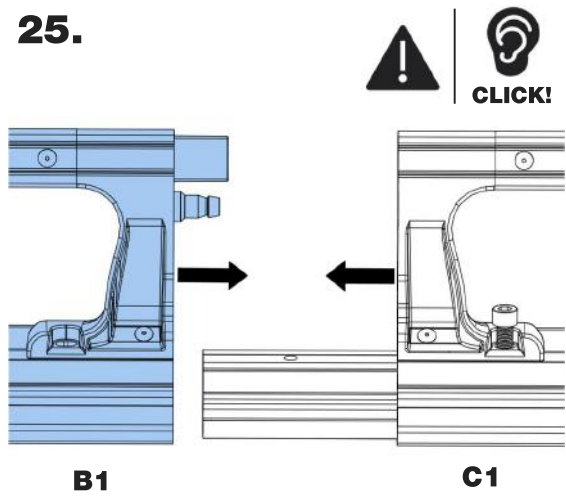
23.



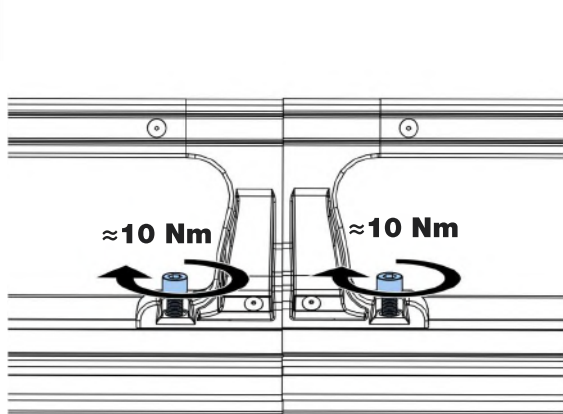
24.



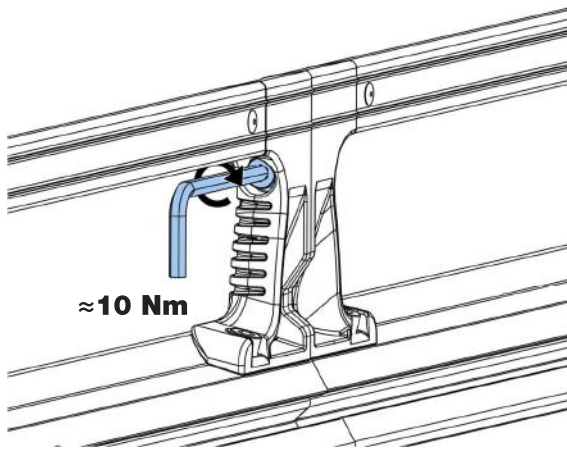
25.



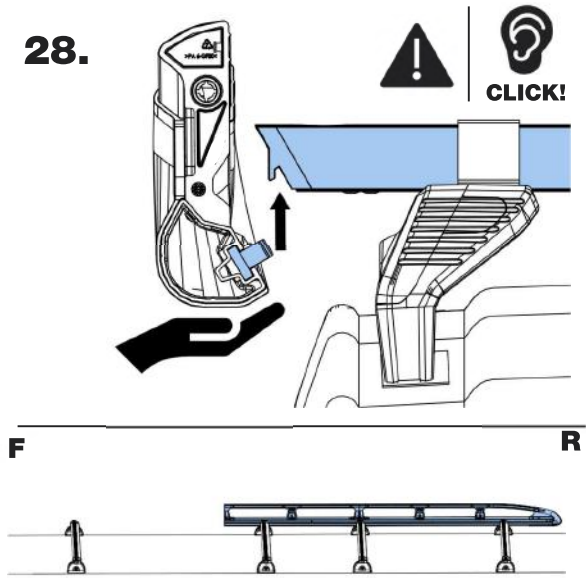
26.



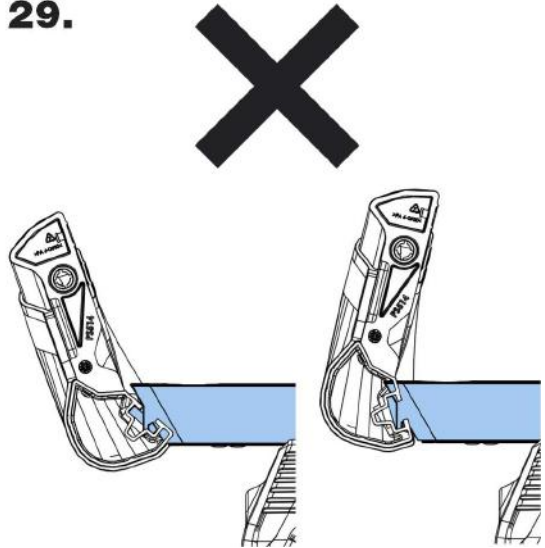
27.



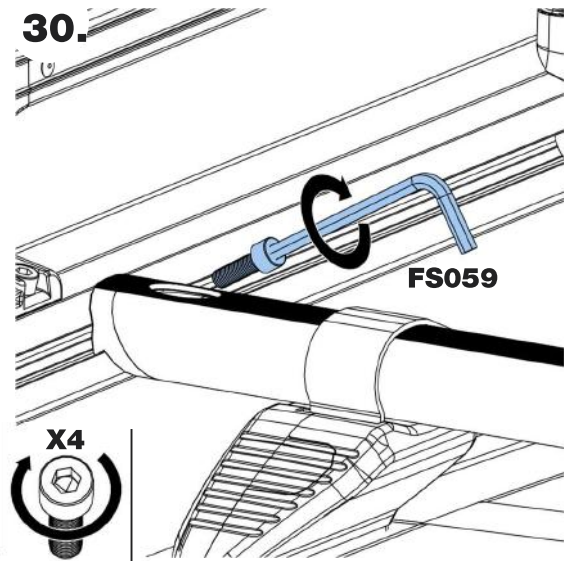
28.



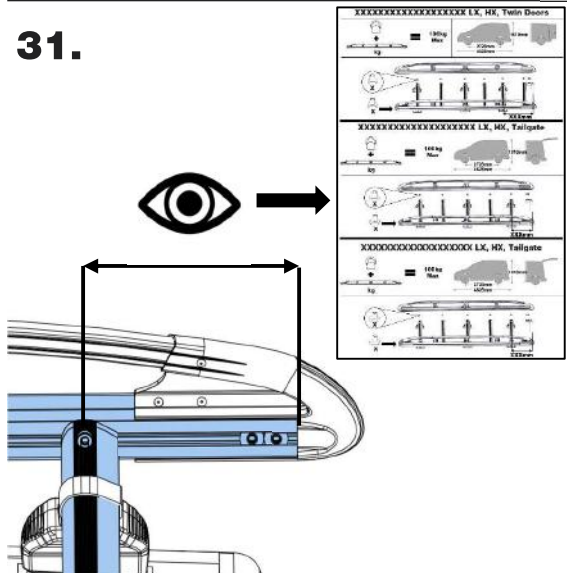
29.



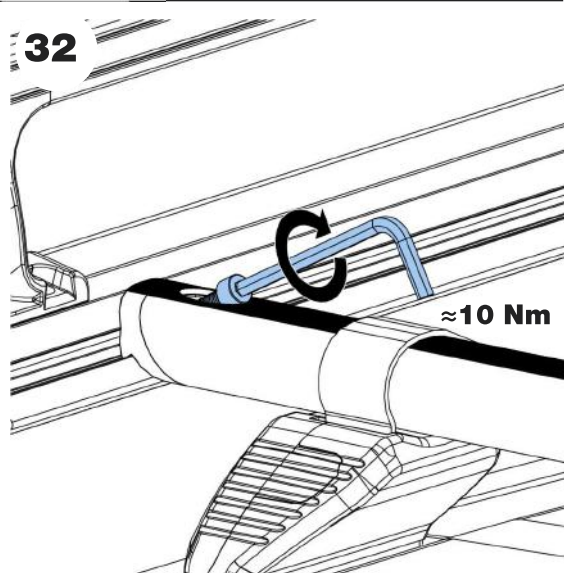
30.



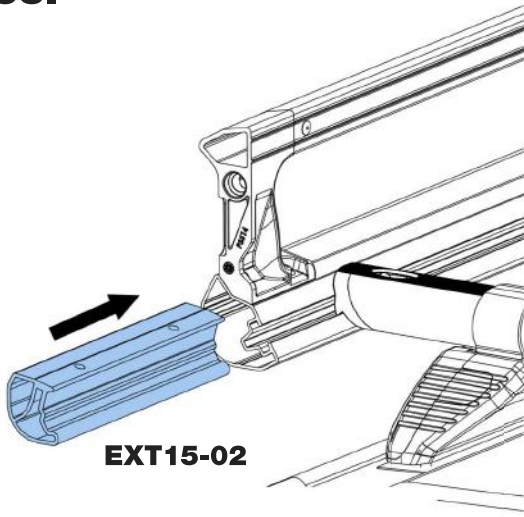
31.



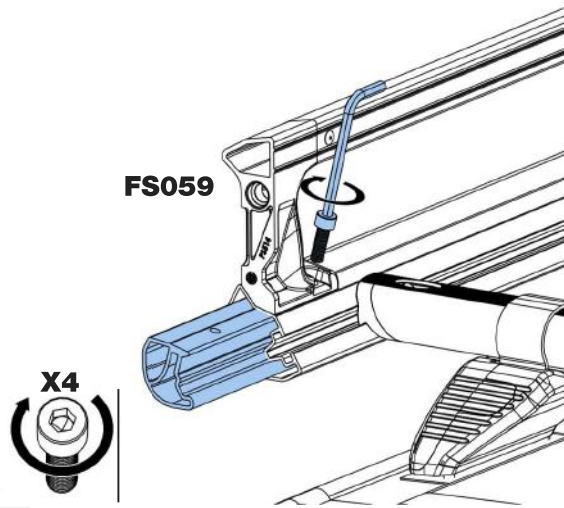
32.



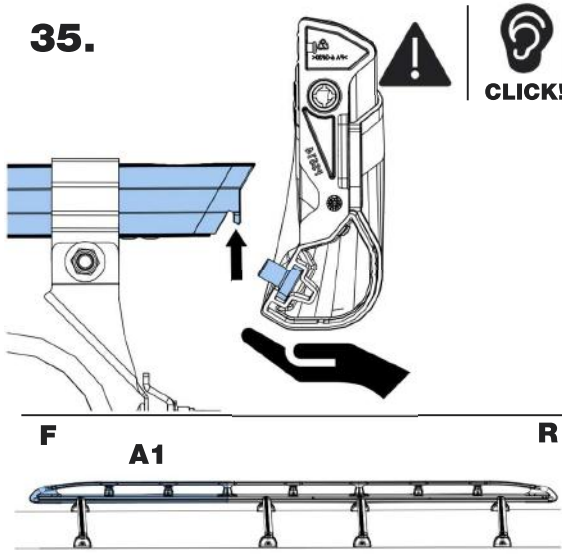
33.



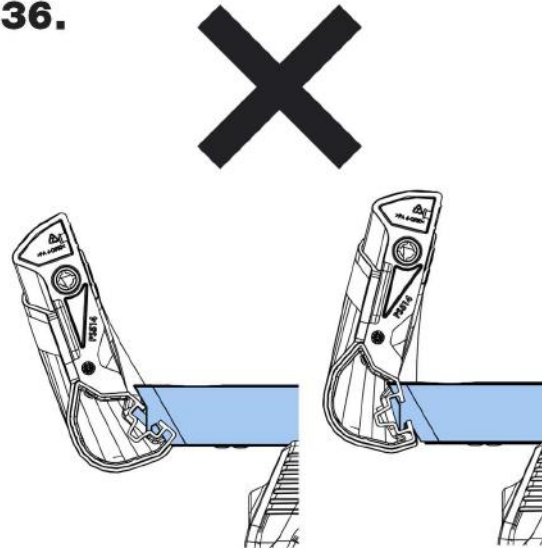
34.



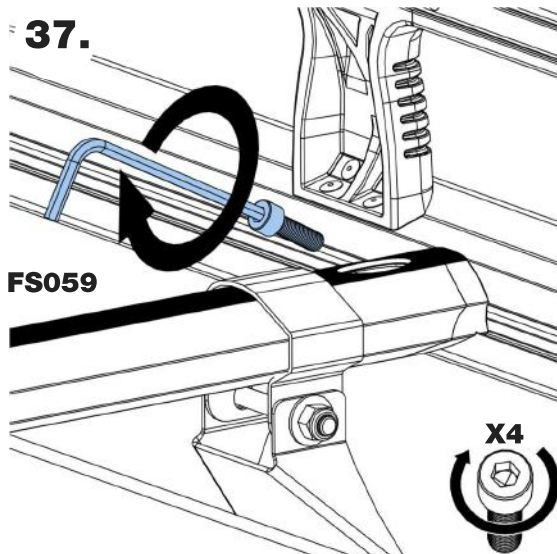
35.



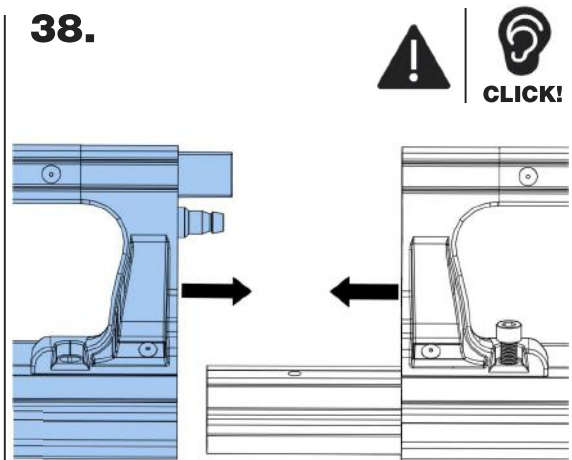
36.



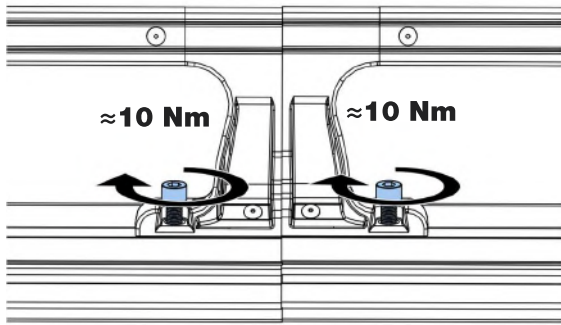
37.



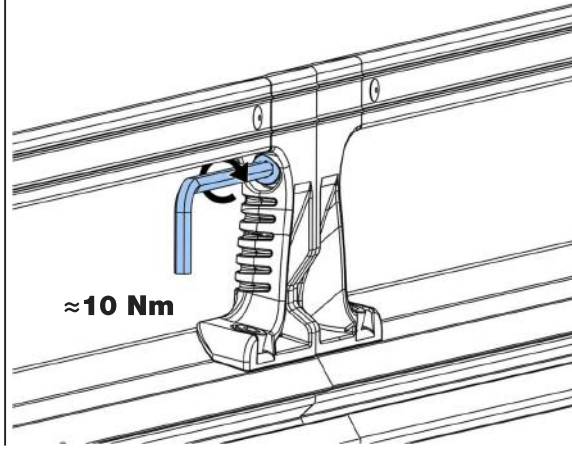
38.



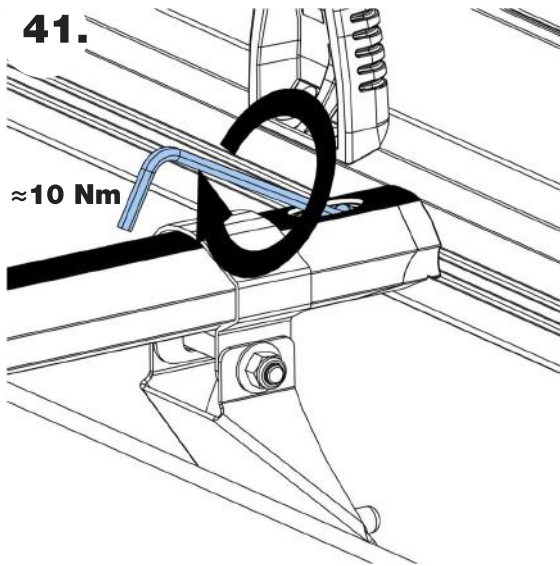
39.



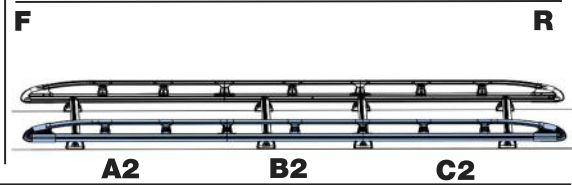
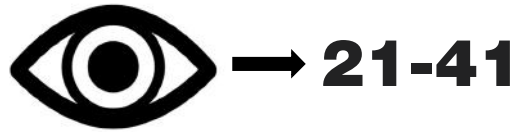
40.



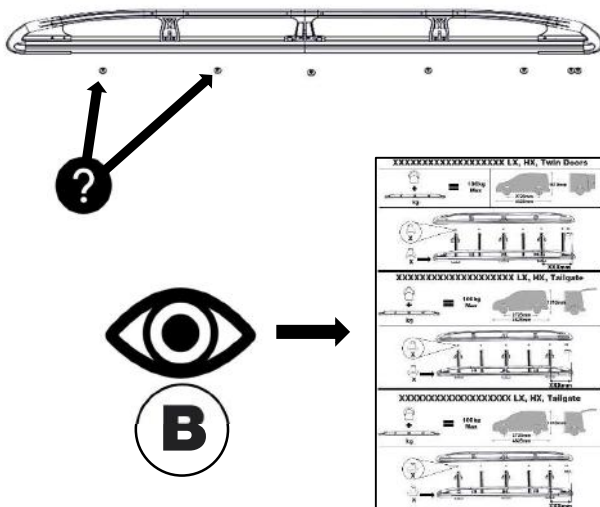
41.



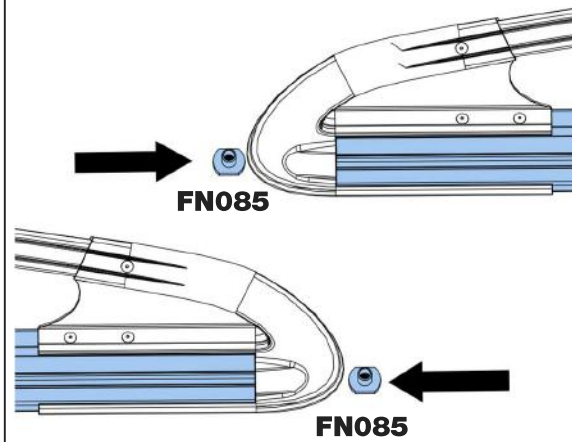
42.



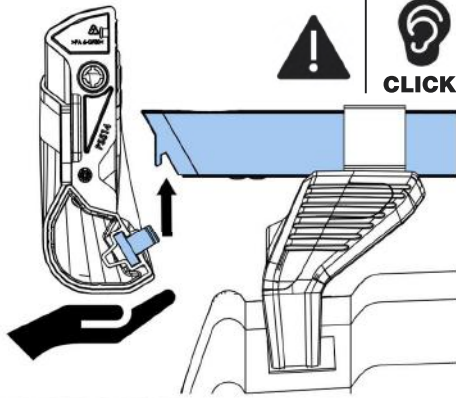
43.



44.



45.

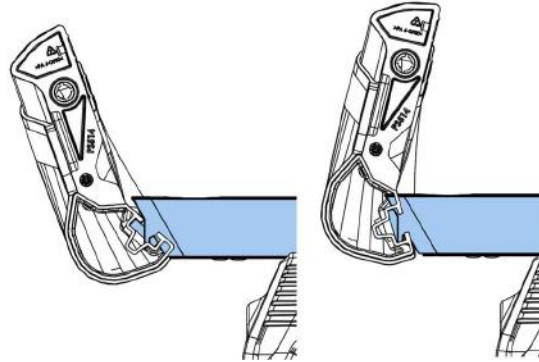


F

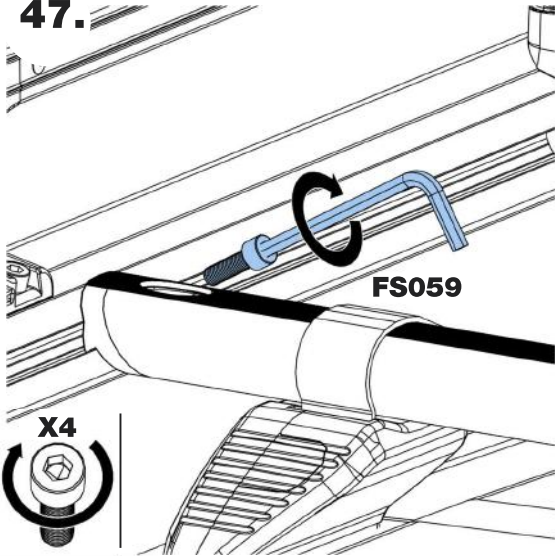
R



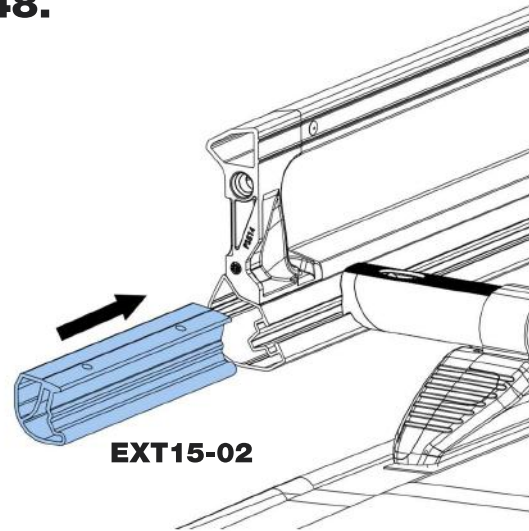
46.



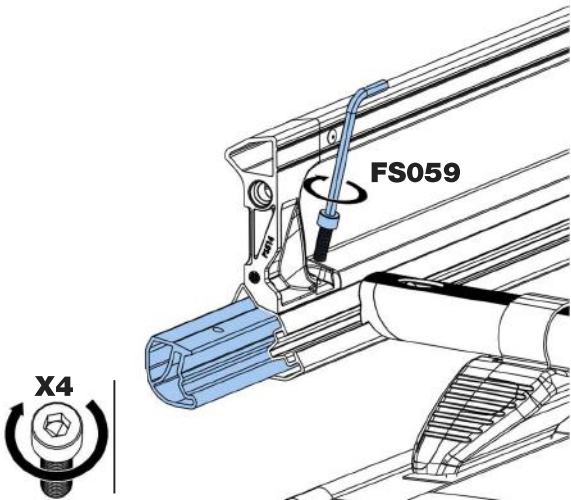
47.



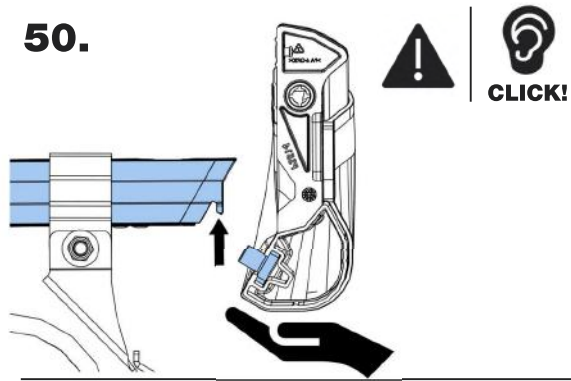
48.



49.



50.

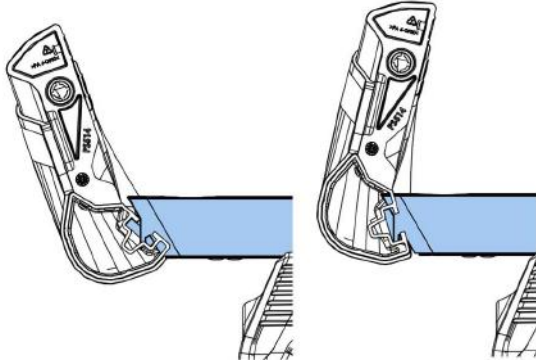


F

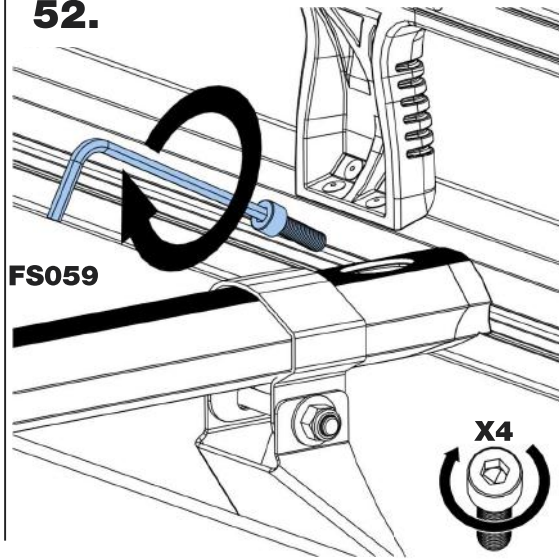
R



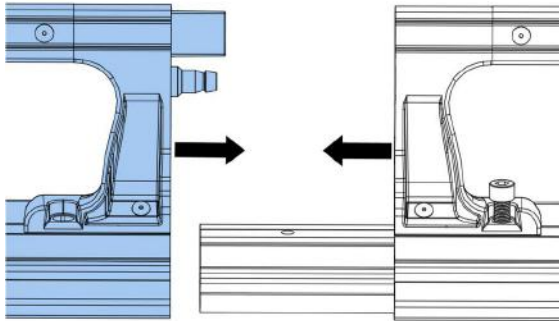
51.



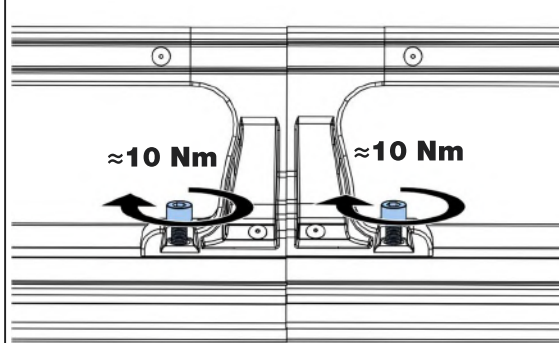
52.



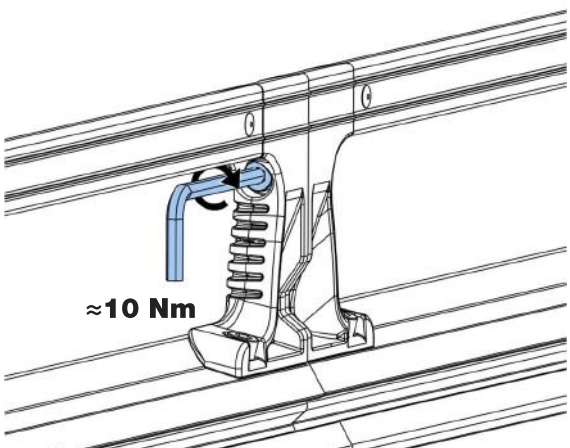
53.



54.



55.



56.

