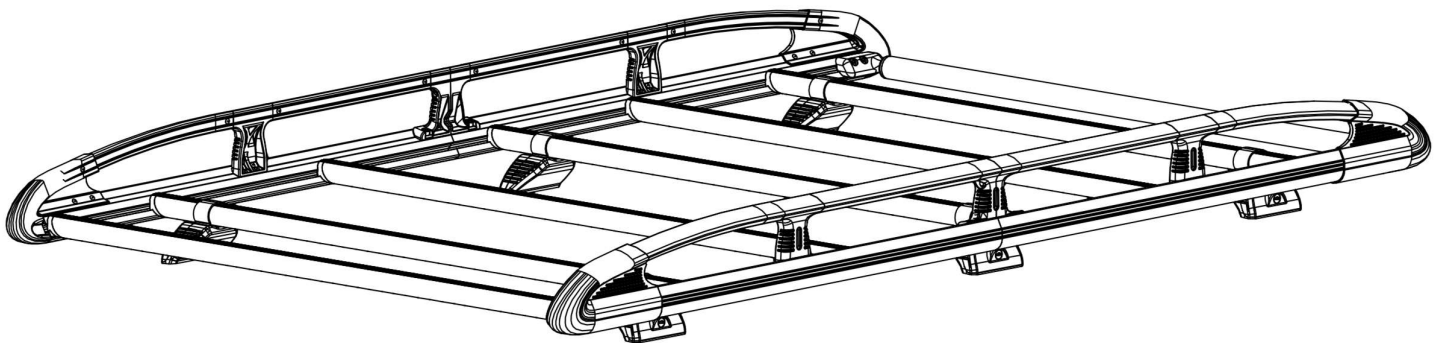


MC4KR

KammRack

Instructions

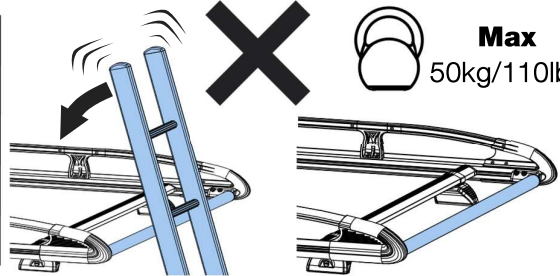
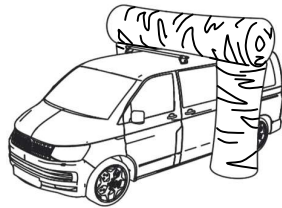
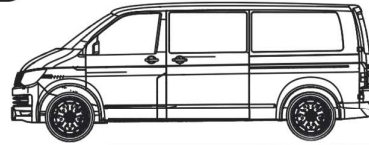


CITY CRASH (✓)

According to ISO/ PAS 11154:2006

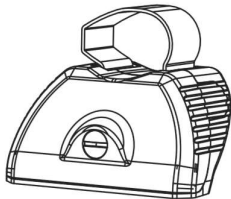
MC4KR:

MERCEDES Sprinter 2006-

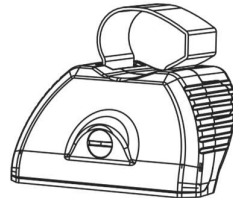


Max
50kg/110lbs

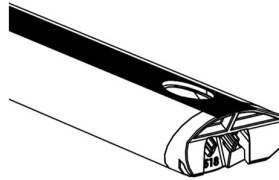
KammRack



SA397U x 4



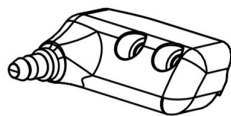
SA398U x 4



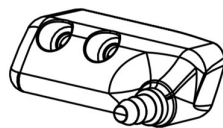
SA430



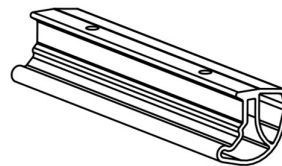
C04 x 8
optional upgrade



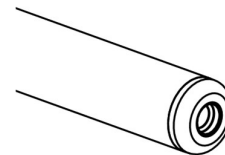
PS519 x 1



PS520 x 1



EXT15-02

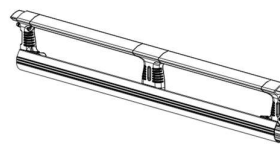
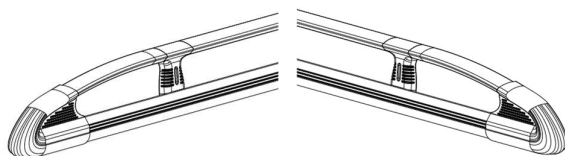


SA438 x 1

LHS x 2

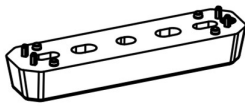
RHS x 2

Centre

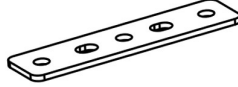


ASF x 1

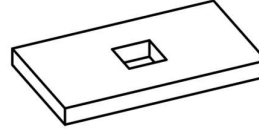
Fitting Kit



PS183 x 8



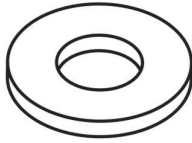
PS023 x 8



MS209 x 16



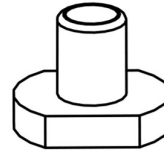
FT01 x 1



FW002 (M8) x 16



FN006 (M8) x 16



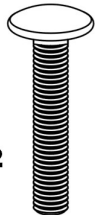
FN085 x 22



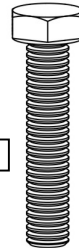
PS020 x 8



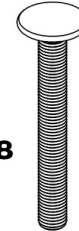
FS018
(M8 x 25) x 22



FS134
(M8 x 45)
x 16



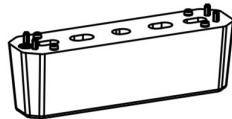
FS081
(M8 x 50) x 8



FS293
(M8 x 65)
x 12



FS107
(M8 x 75)
x 8

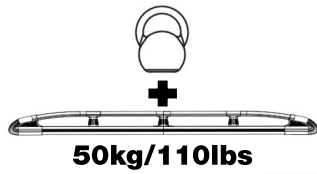


PS325 x 8

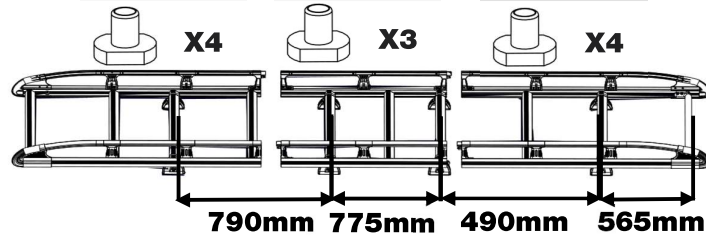
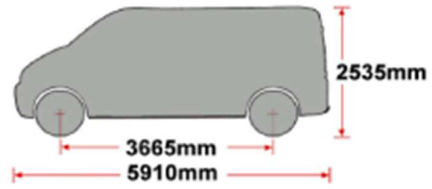


FT05 x 1

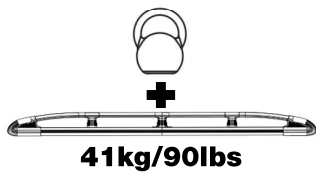
K519- Sprinter 2006- L2, H1, Twin Doors



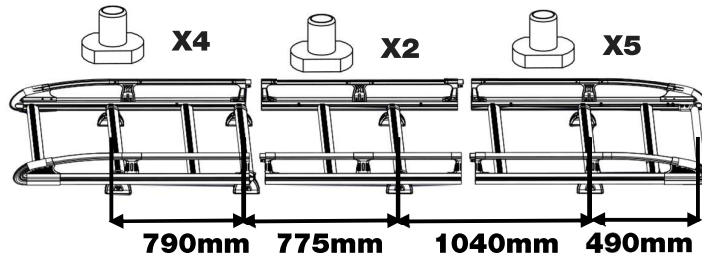
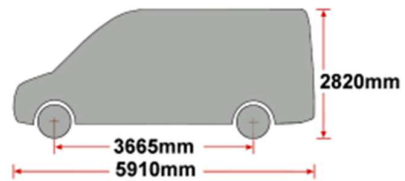
150kg
Max



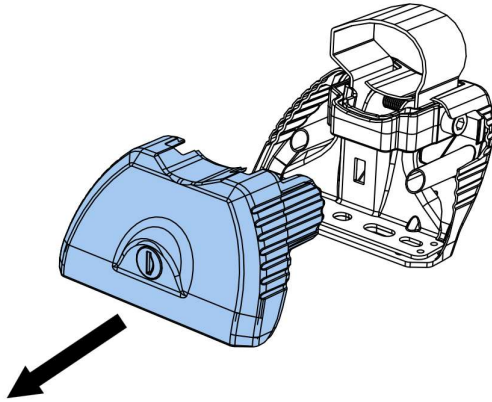
K520- Sprinter 2006- L2, H2, Twin Doors



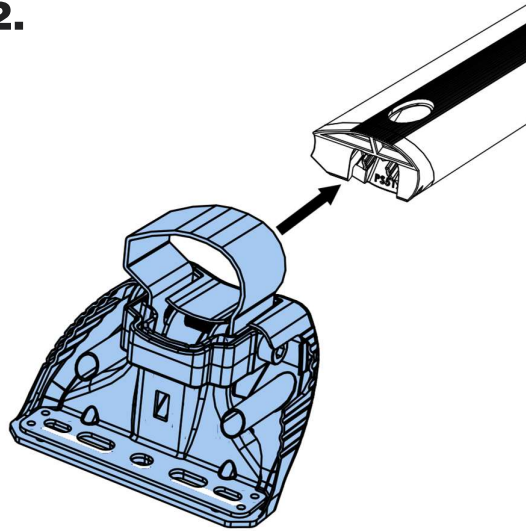
150kg
Max



1.



2.



3.



SA397U
PS183/PS325



SA397U
PS183/PS325

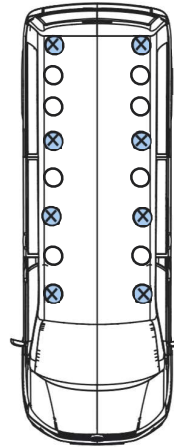


SA397U
PS183/PS325



SA397U
PS183/PS325

R



F

SA398U
PS183/PS325



SA398U
PS183/PS325



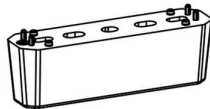
SA398U
PS183/PS325



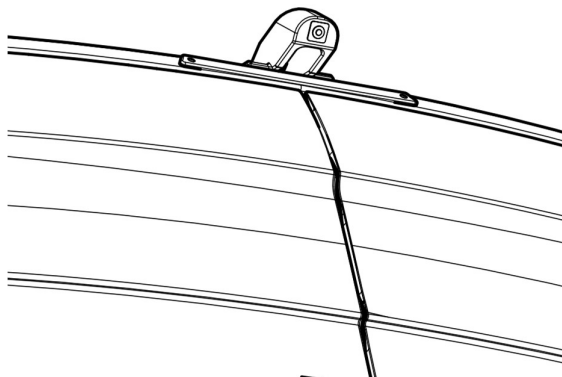
SA398U
PS183/PS325



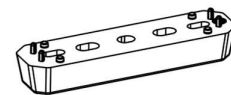
4.



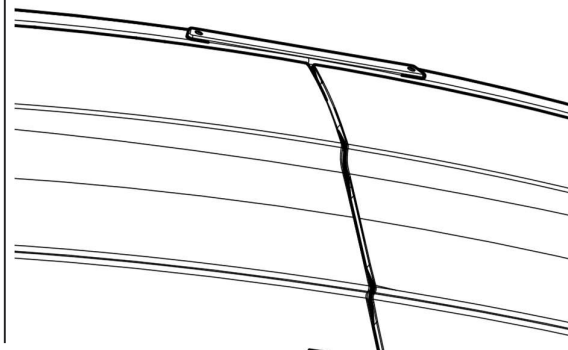
PS325

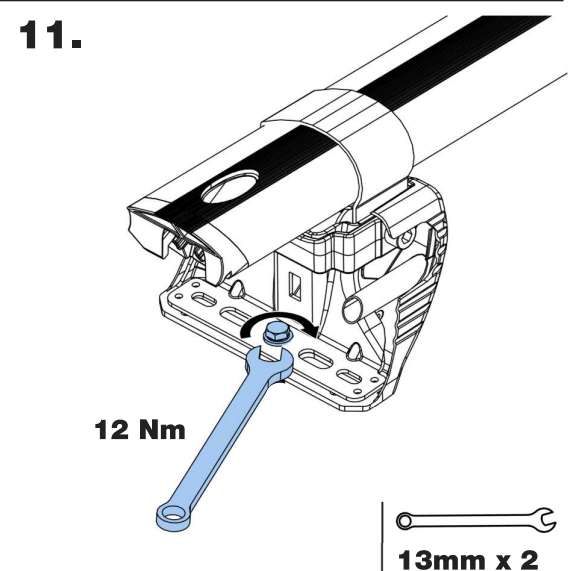
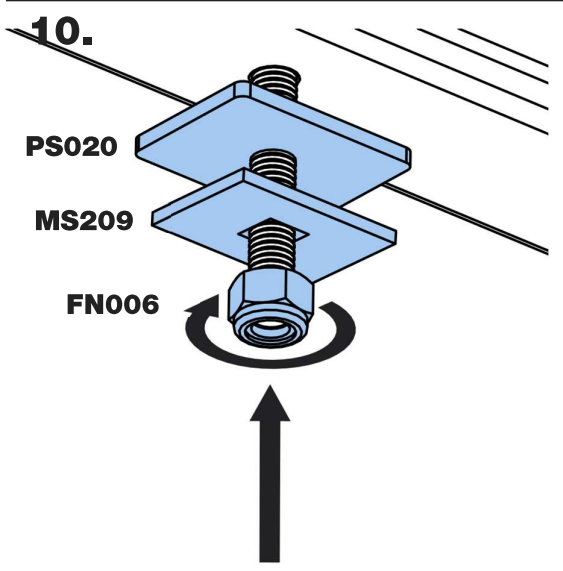
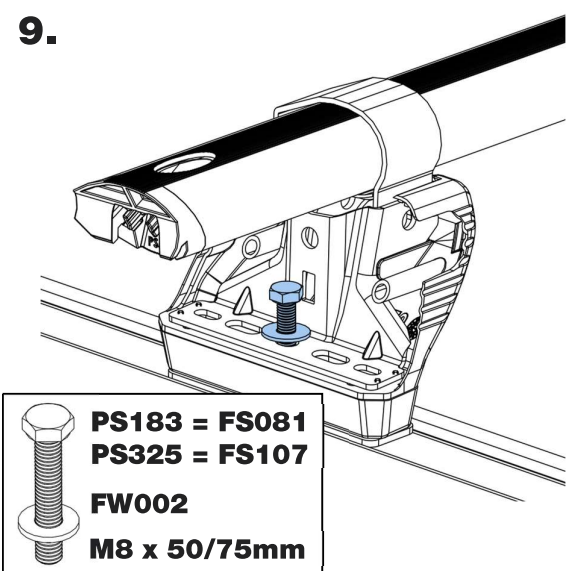
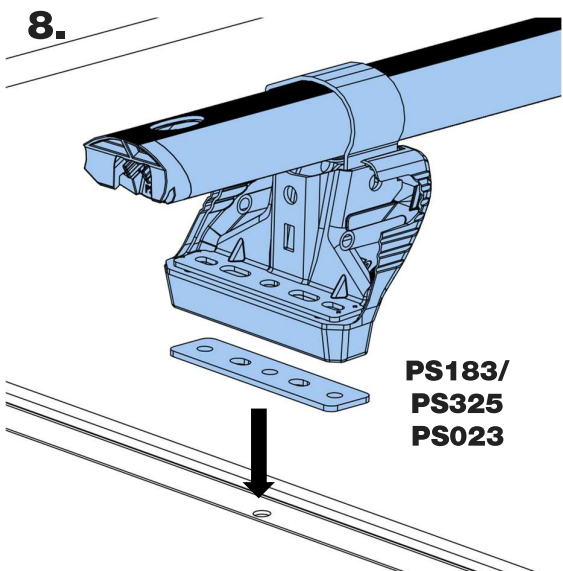
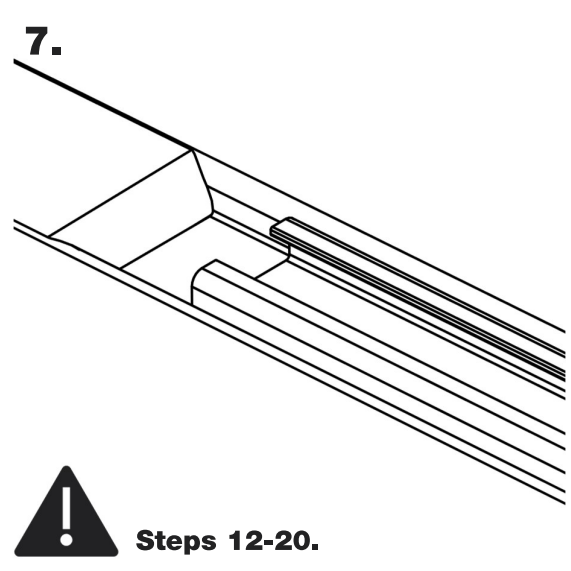
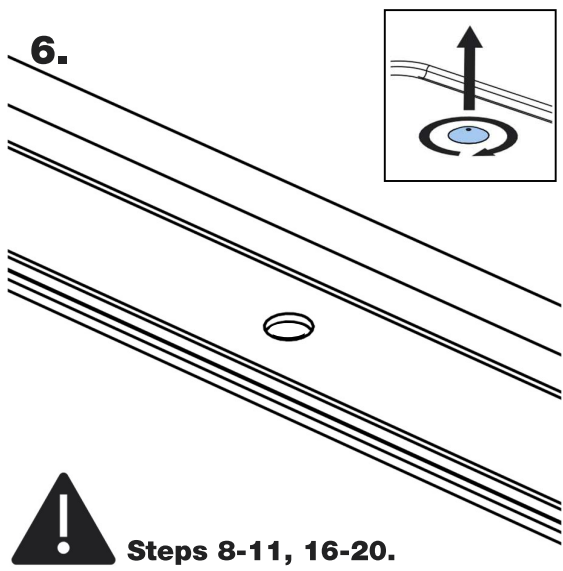


5.

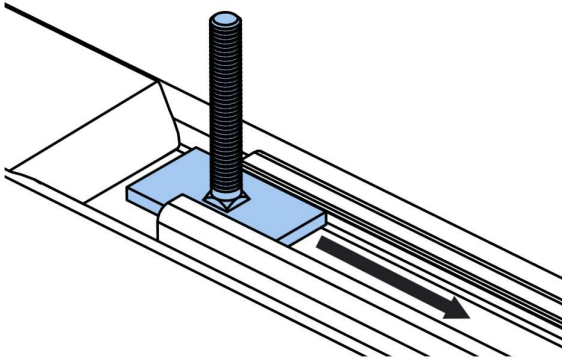
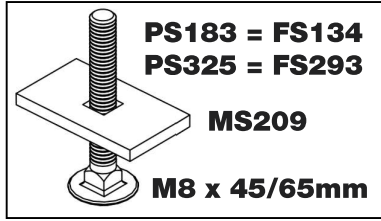


PS183

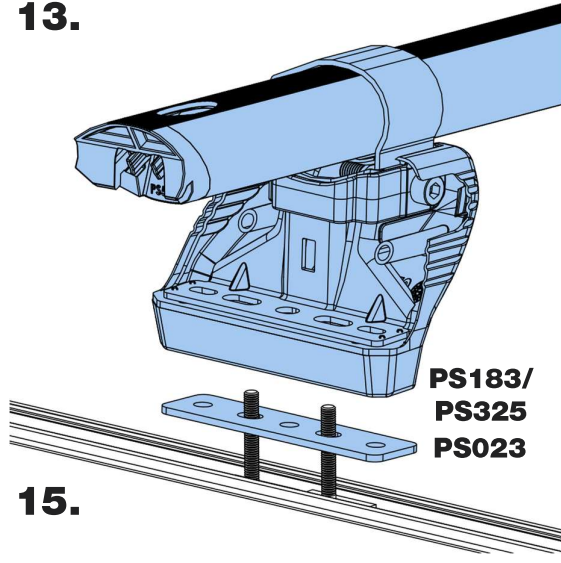




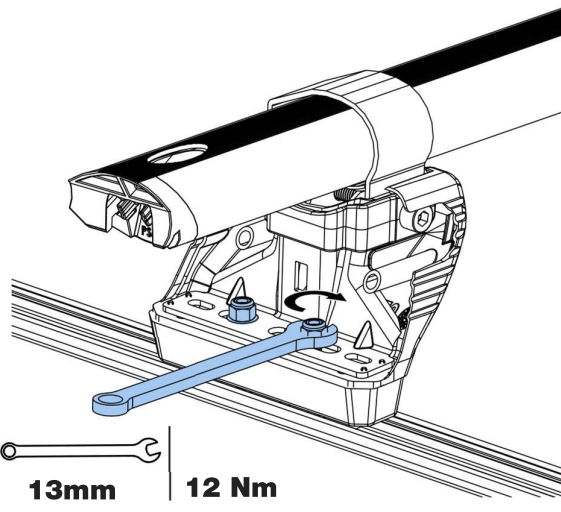
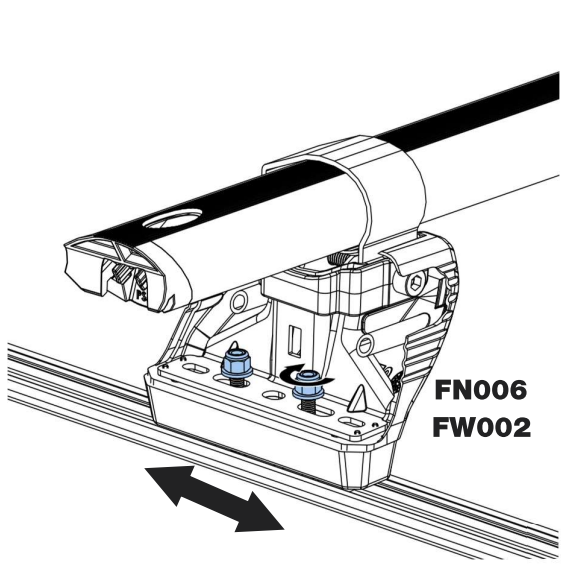
12.



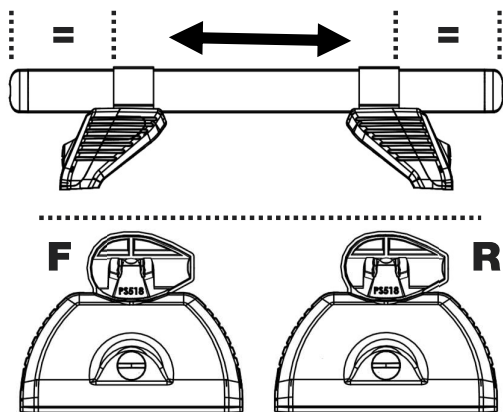
13.



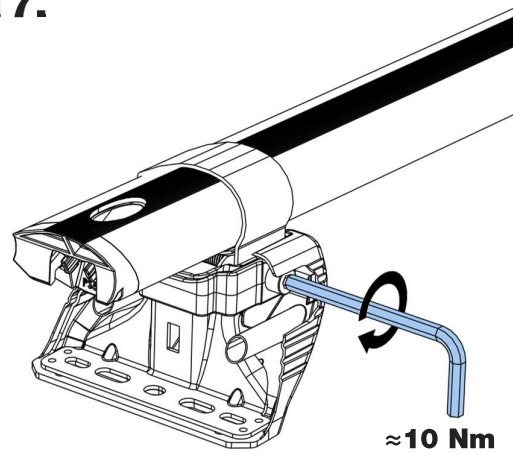
15.



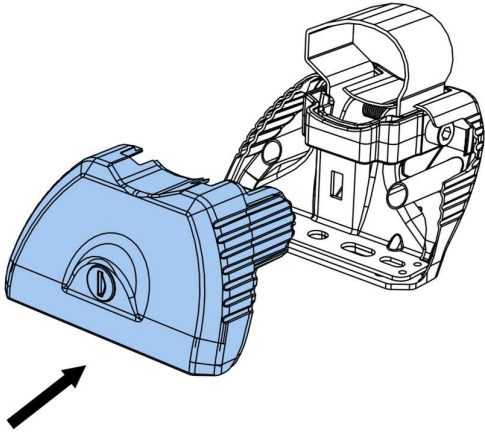
16.



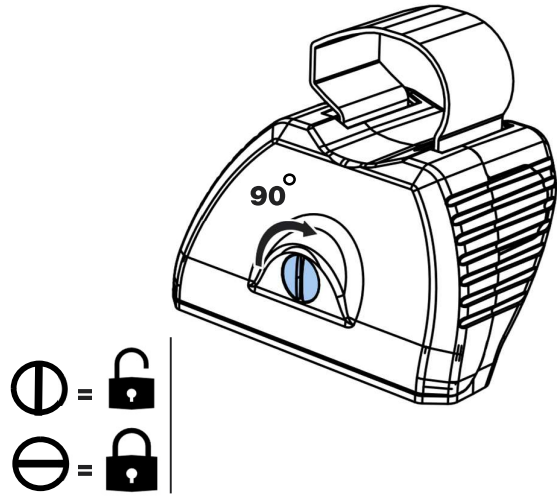
17.



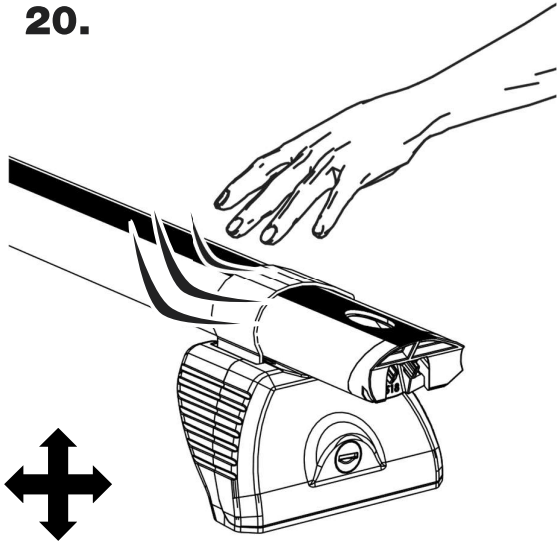
18.



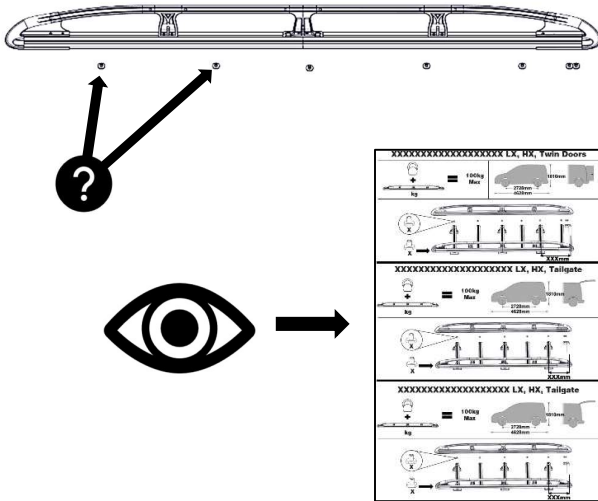
19.



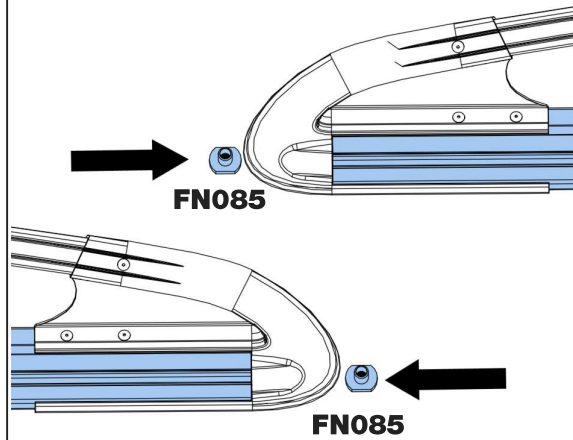
20.



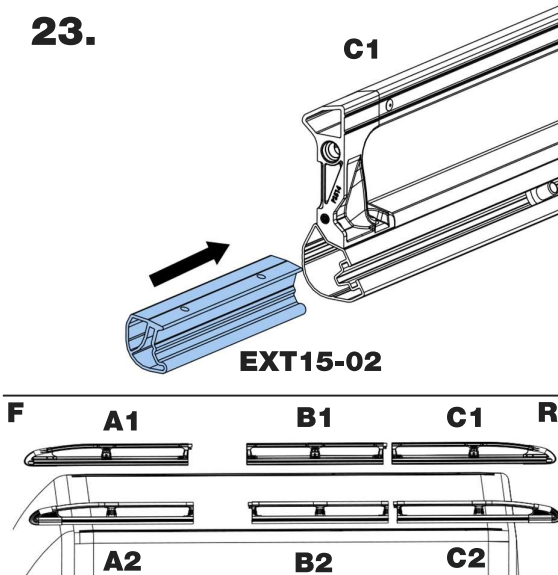
21.



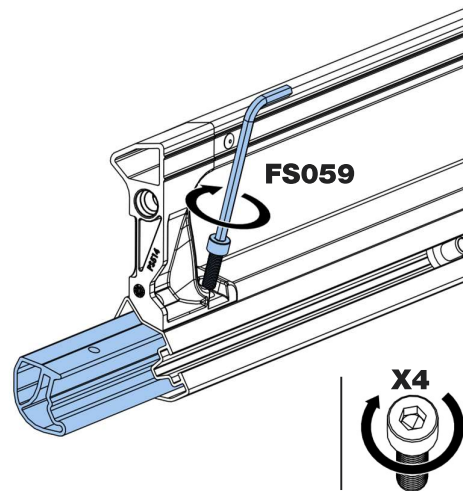
22.



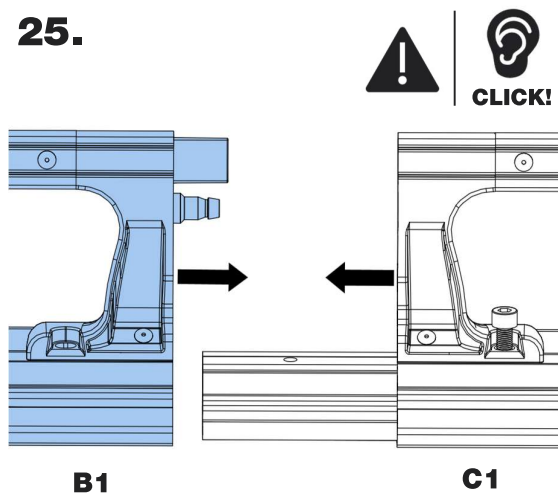
23.



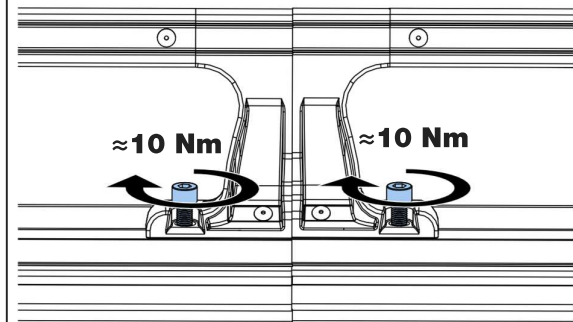
24.



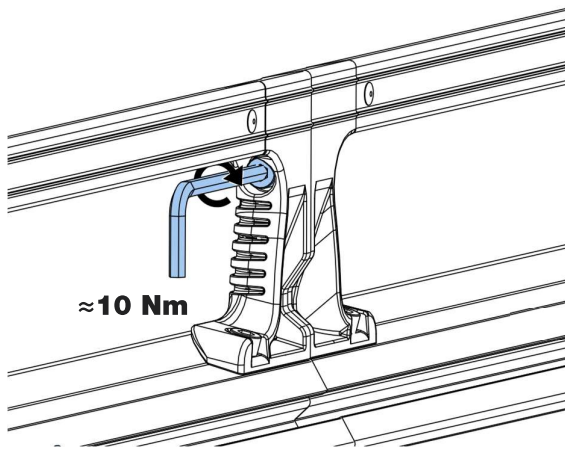
25.



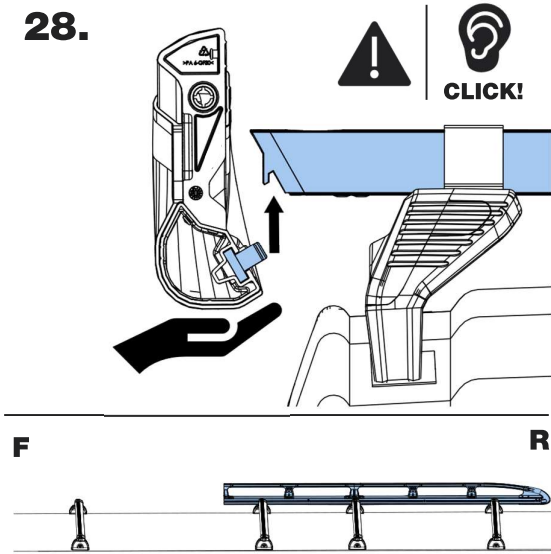
26.



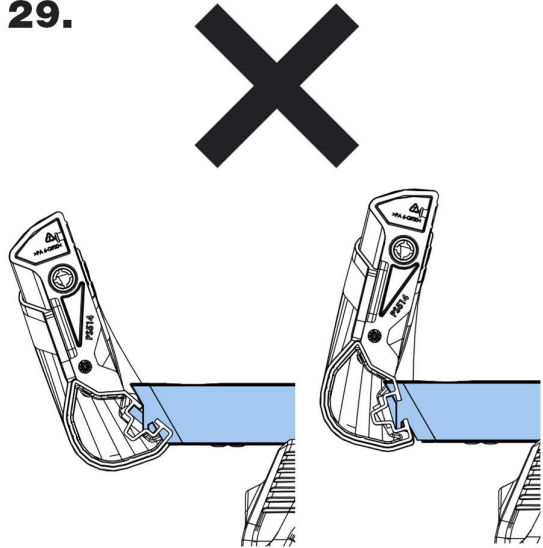
27.



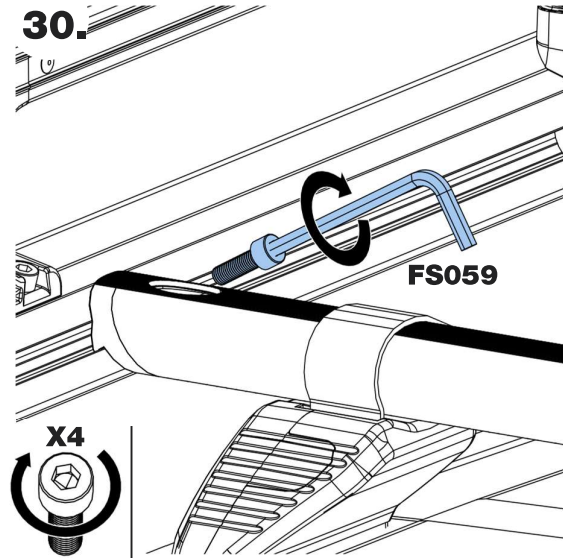
28.



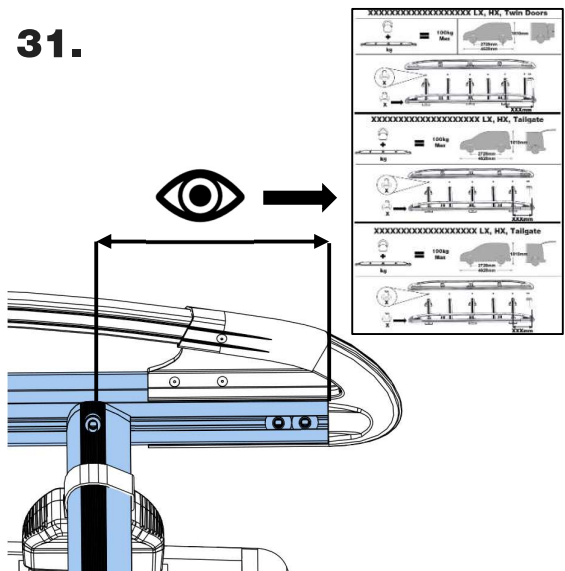
29.



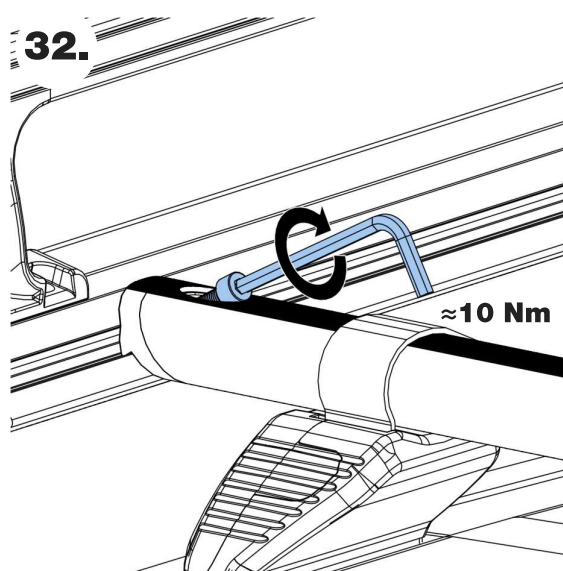
30.



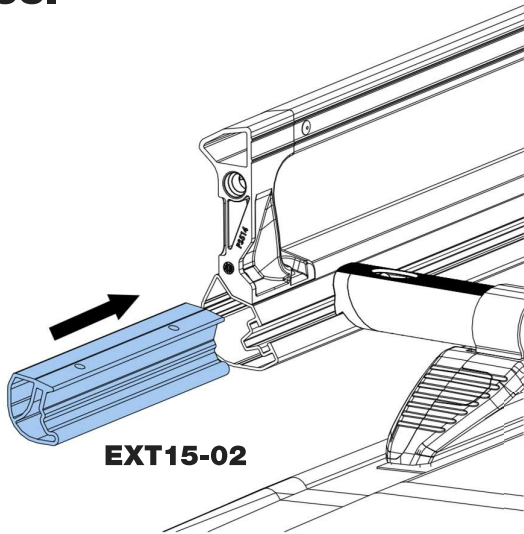
31.



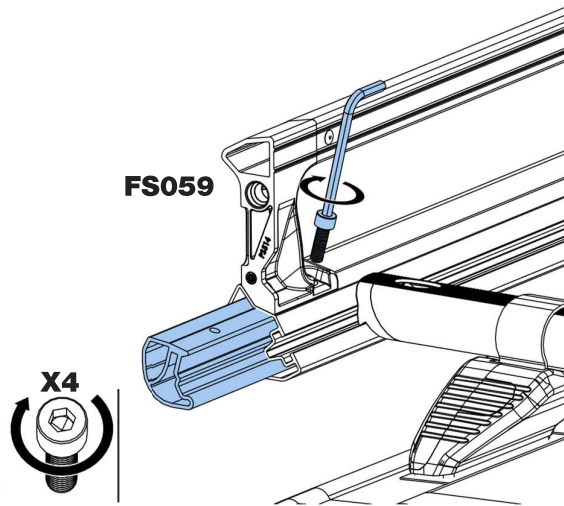
32.



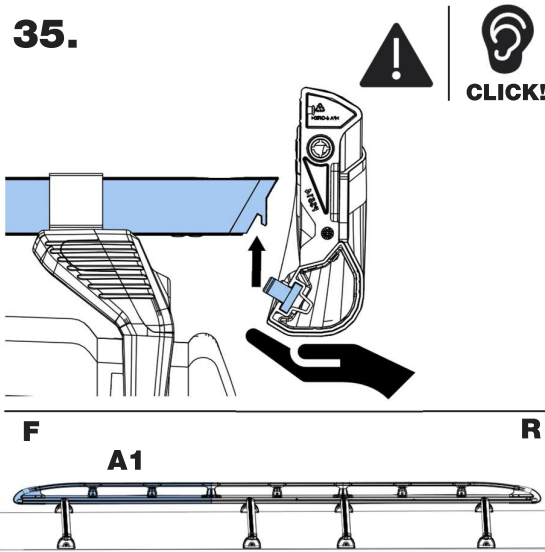
33.



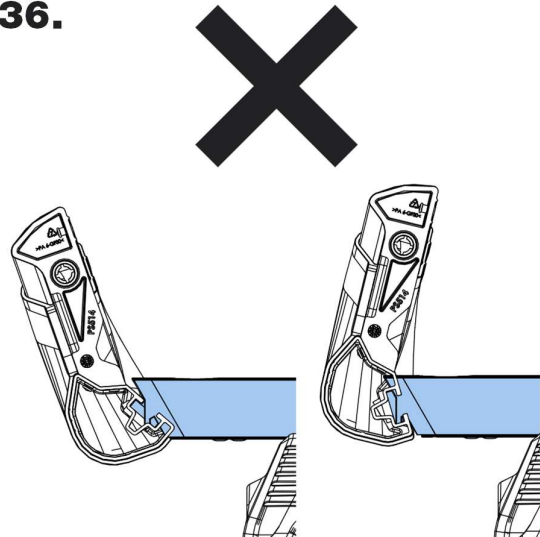
34.



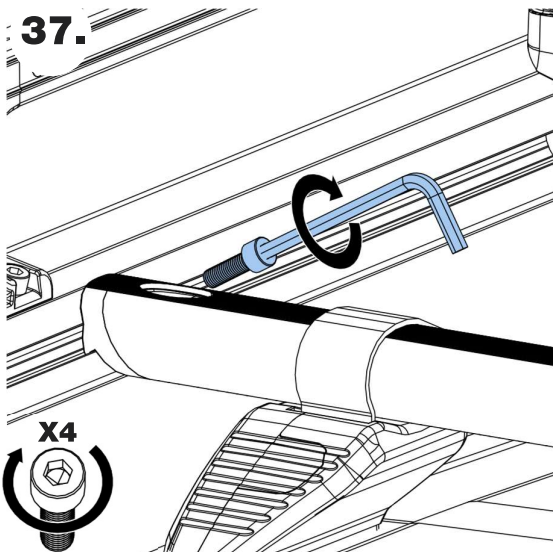
35.



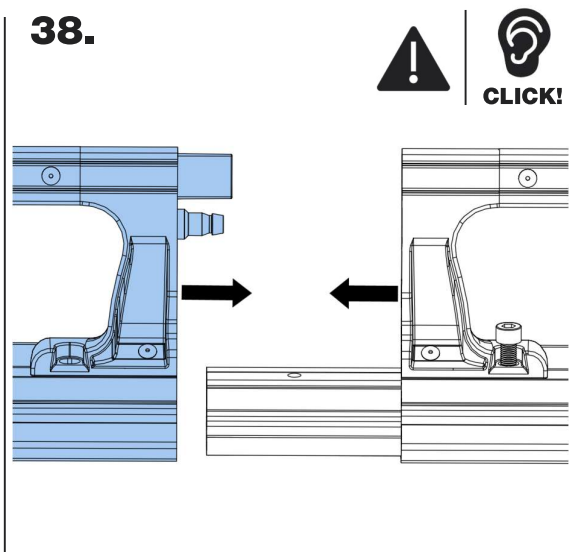
36.



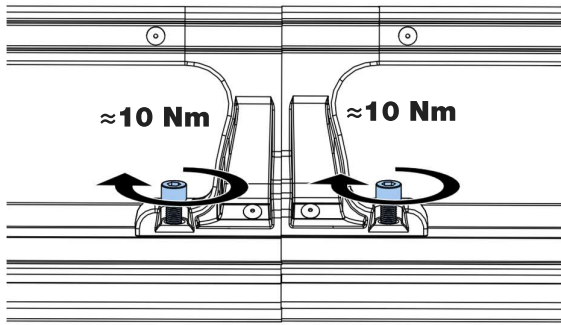
37.



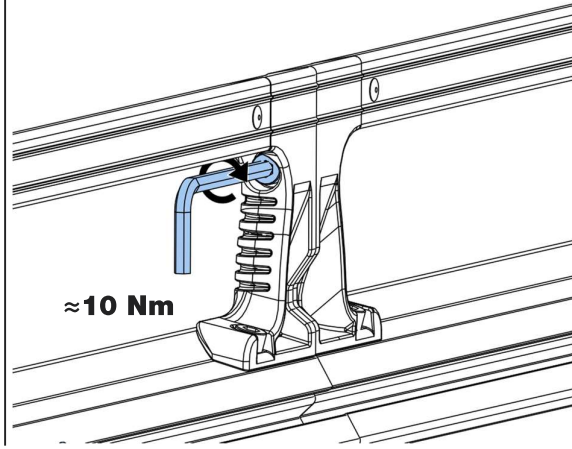
38.



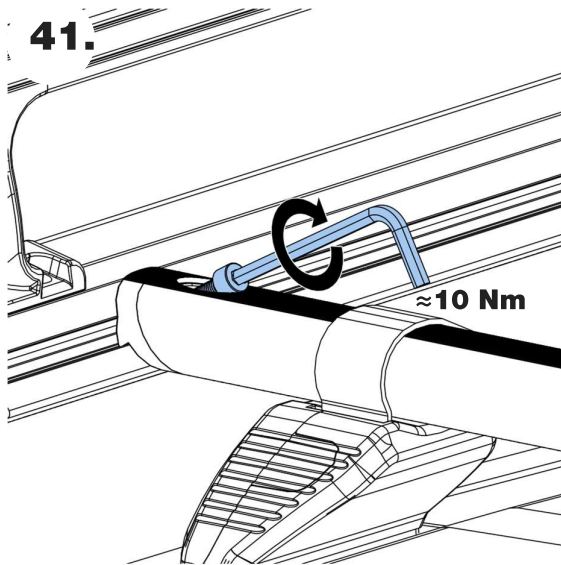
39.



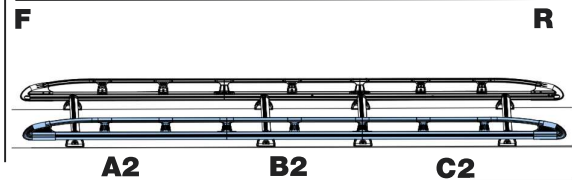
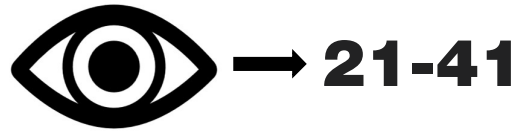
40.



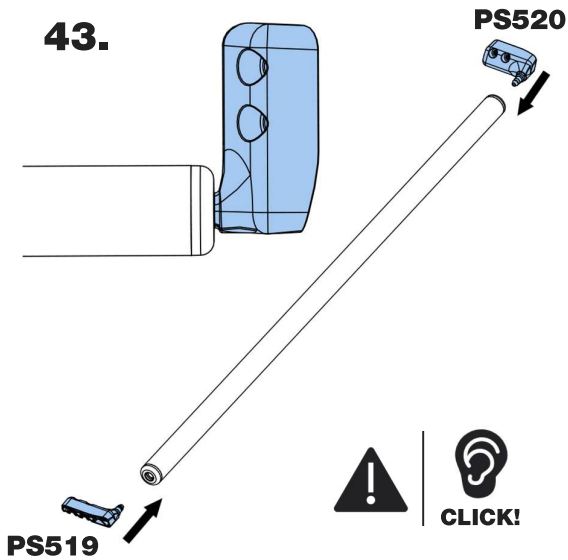
41.



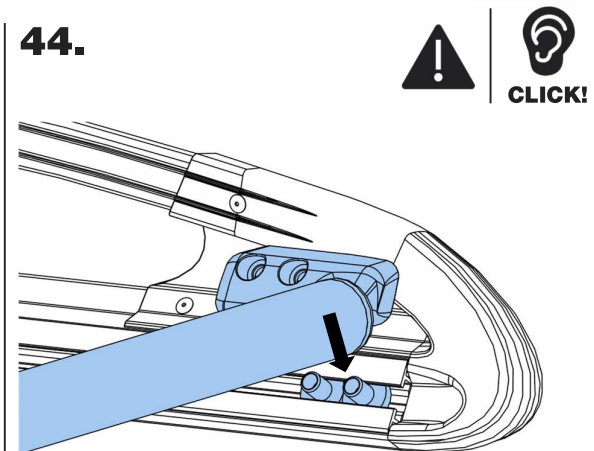
42.



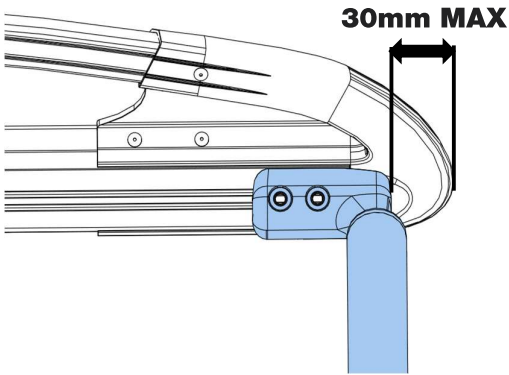
43.



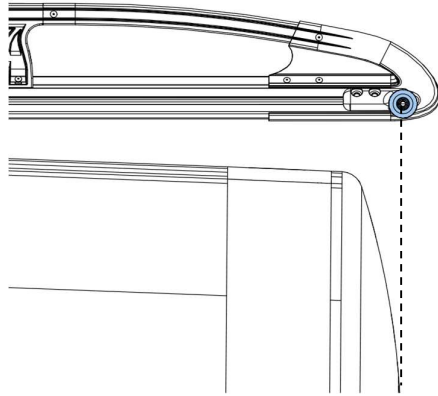
44.



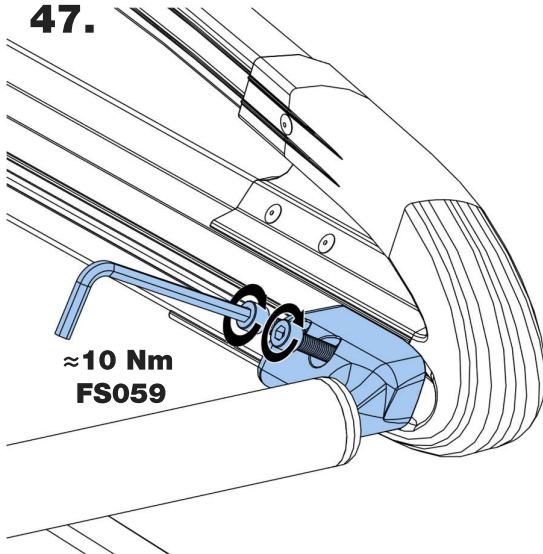
45.



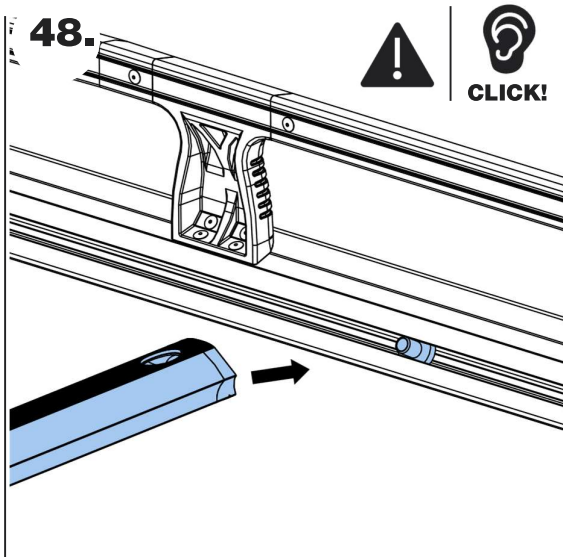
46.



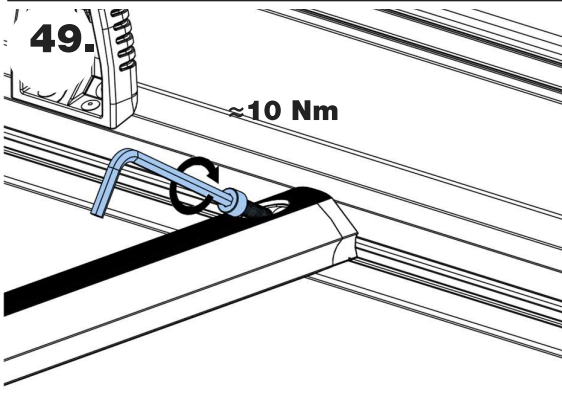
47.



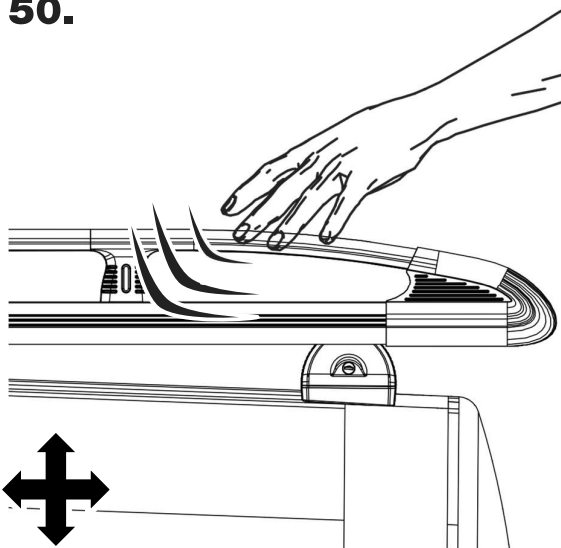
48.



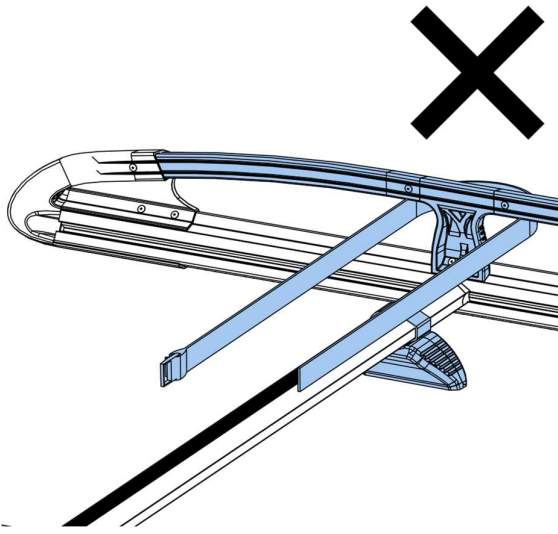
49.



50.



51.



52.

