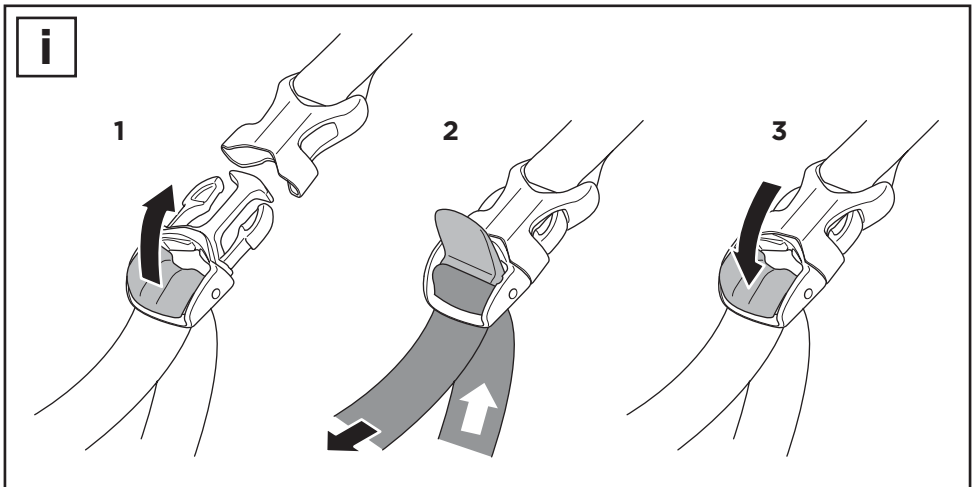
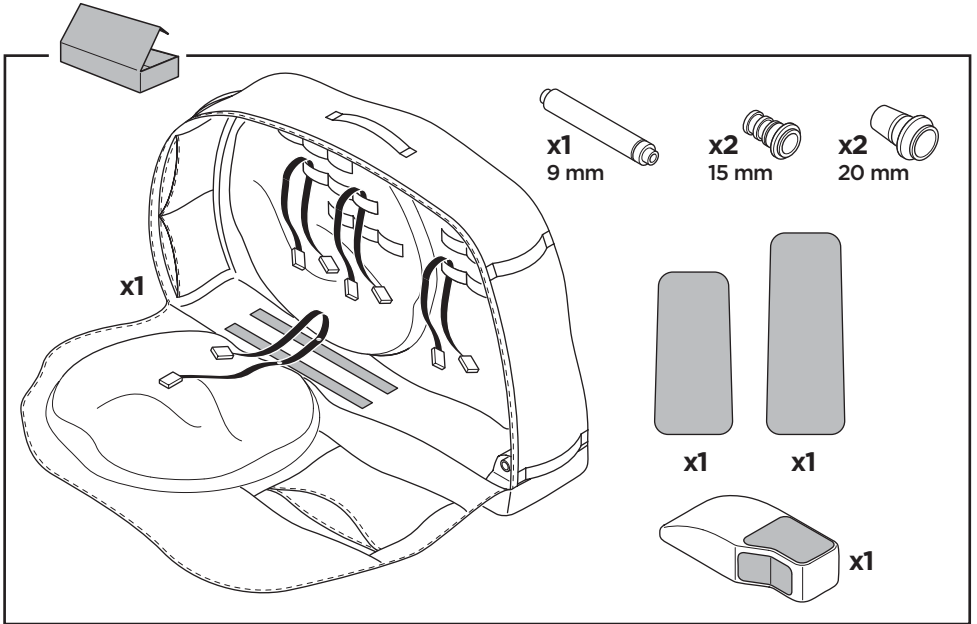
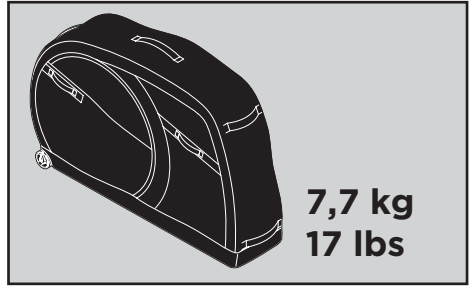
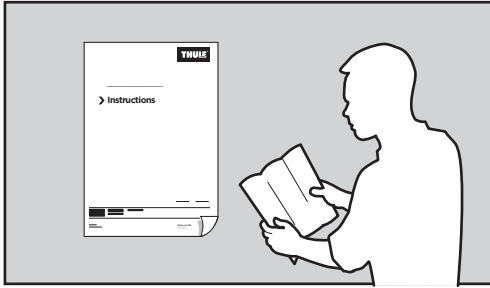


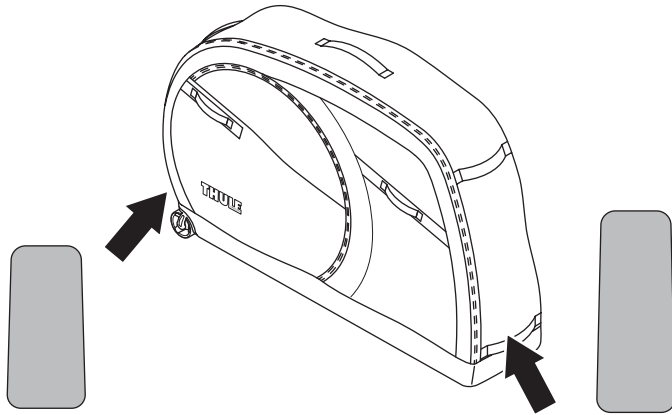
Thule Round Trip Traveler

➤ Instructions

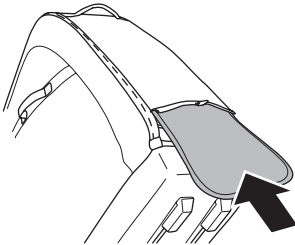




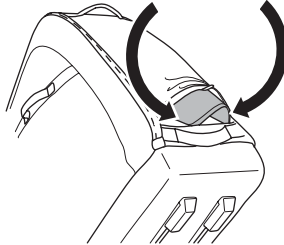
1



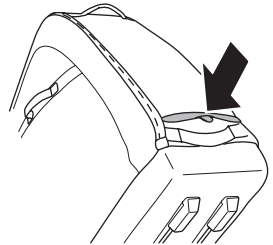
1



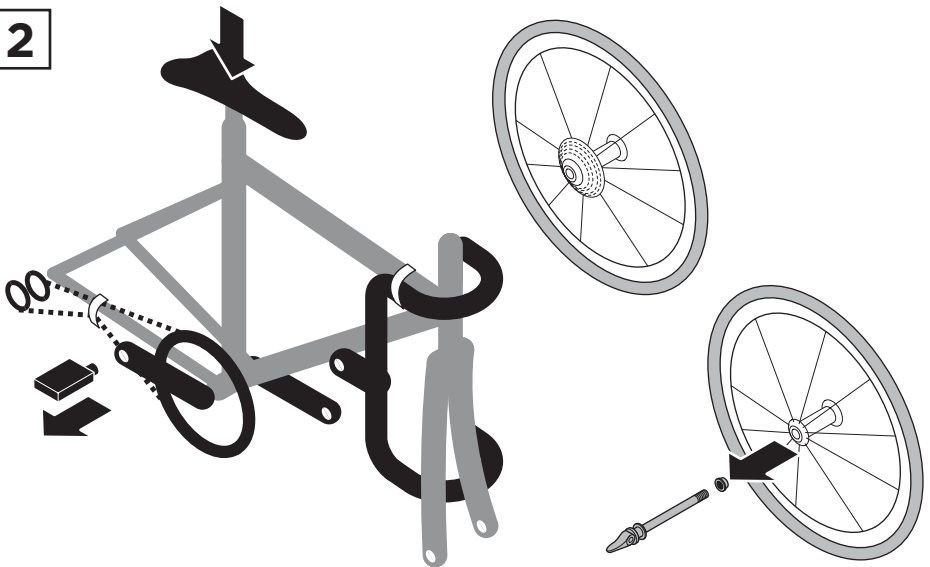
2



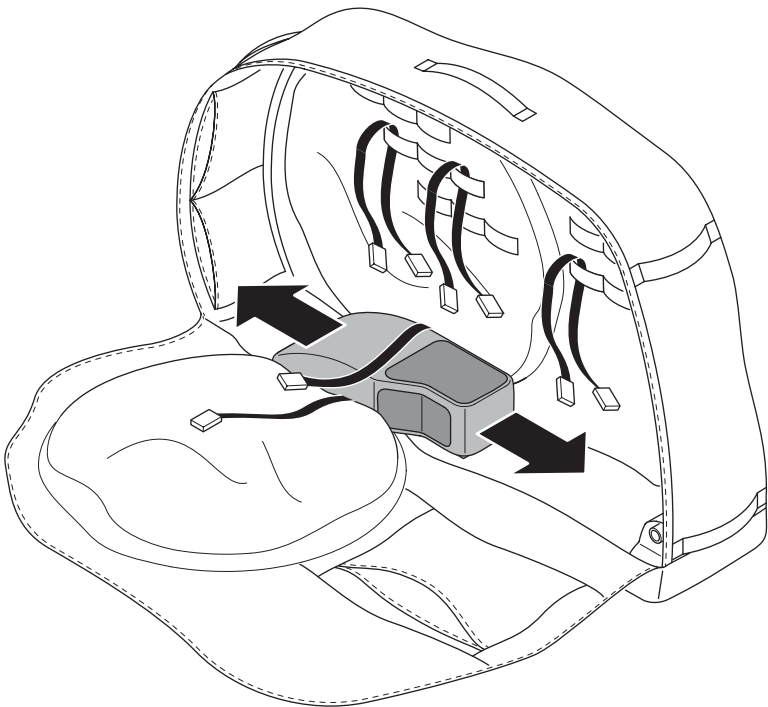
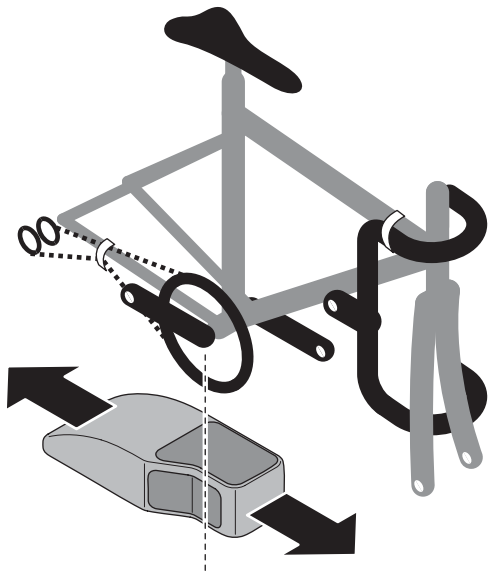
3



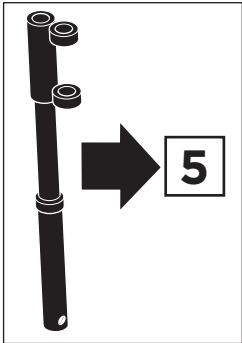
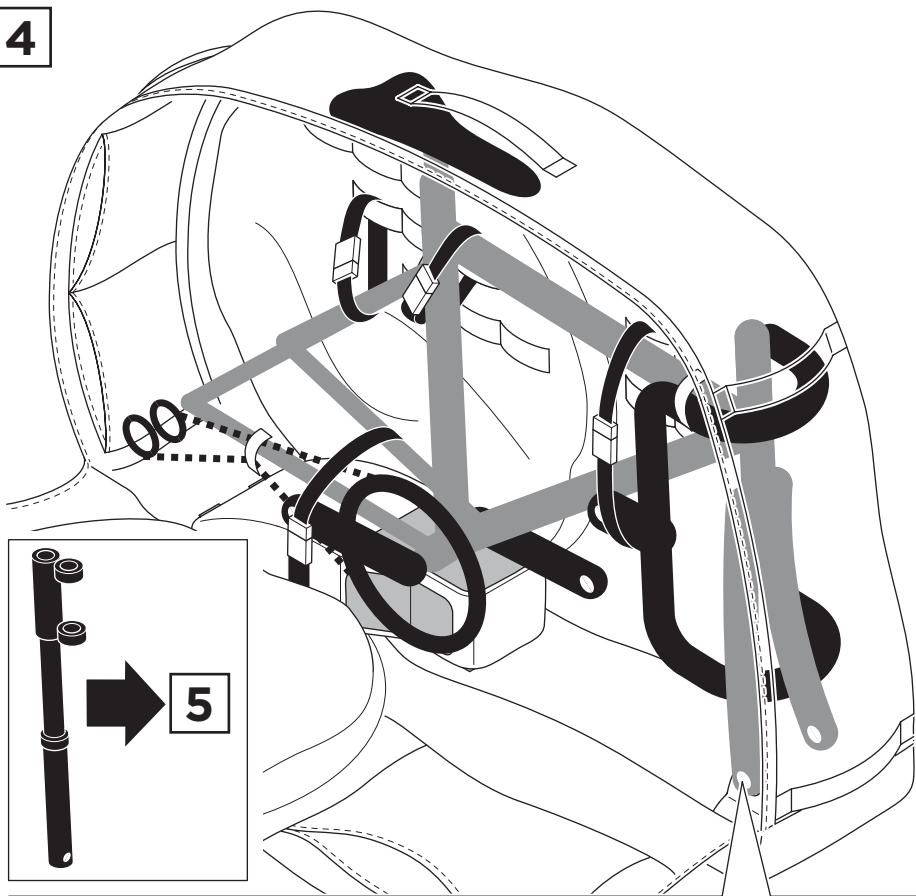
2



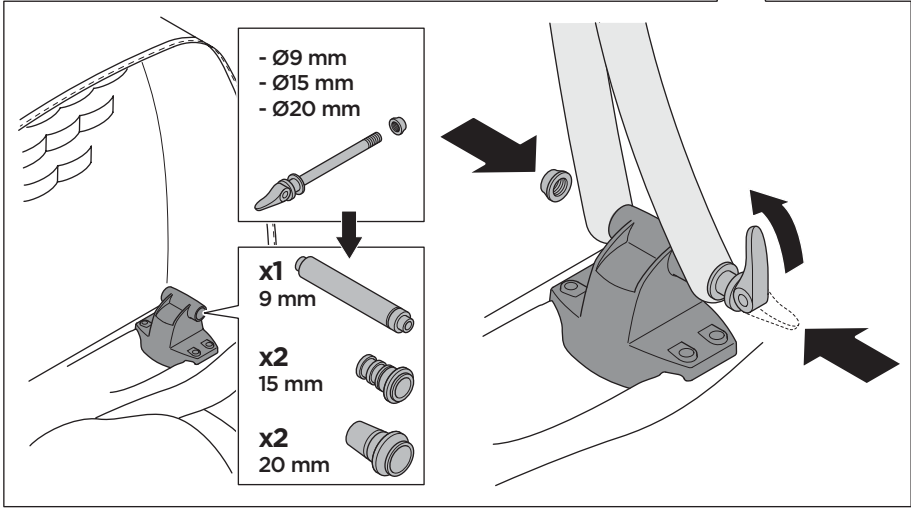
3



4



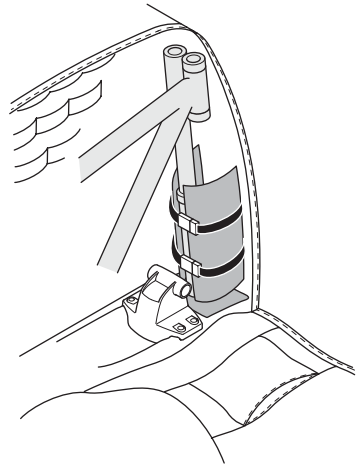
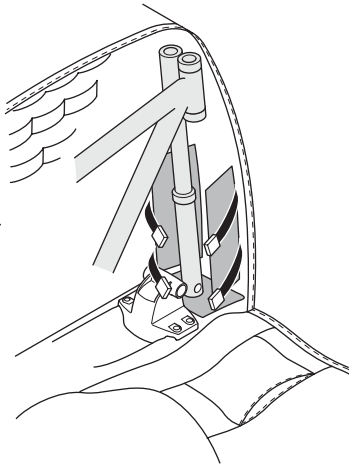
5



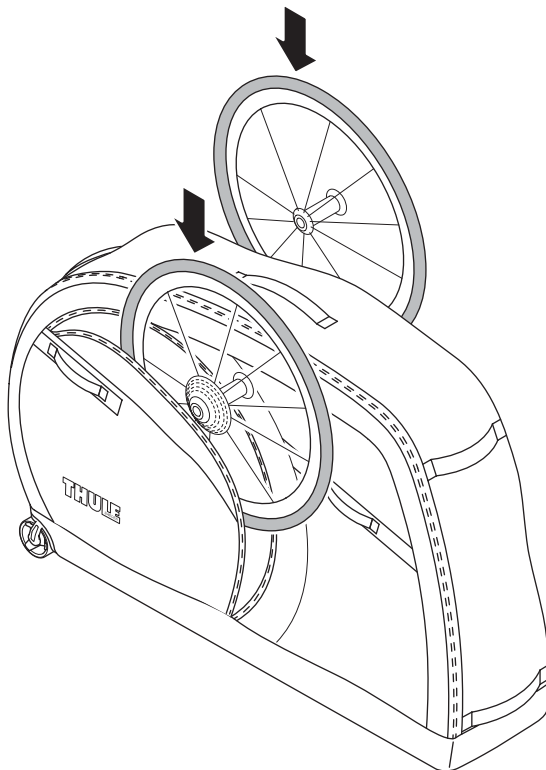
- Ø9 mm
- Ø15 mm
- Ø20 mm

- x1 9 mm
- x2 15 mm
- x2 20 mm

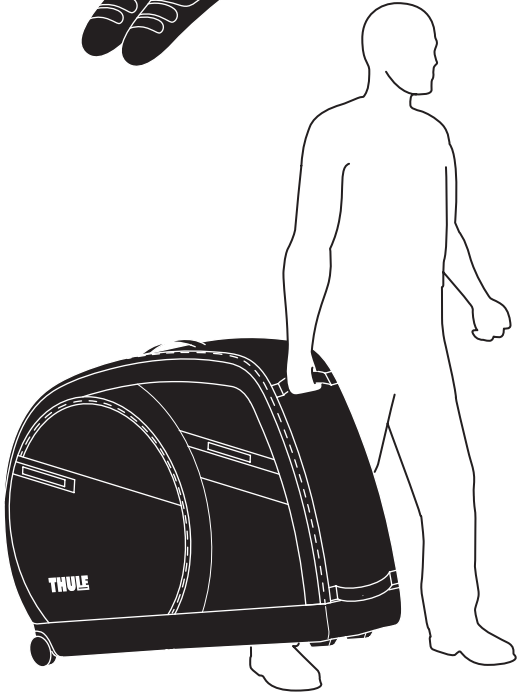
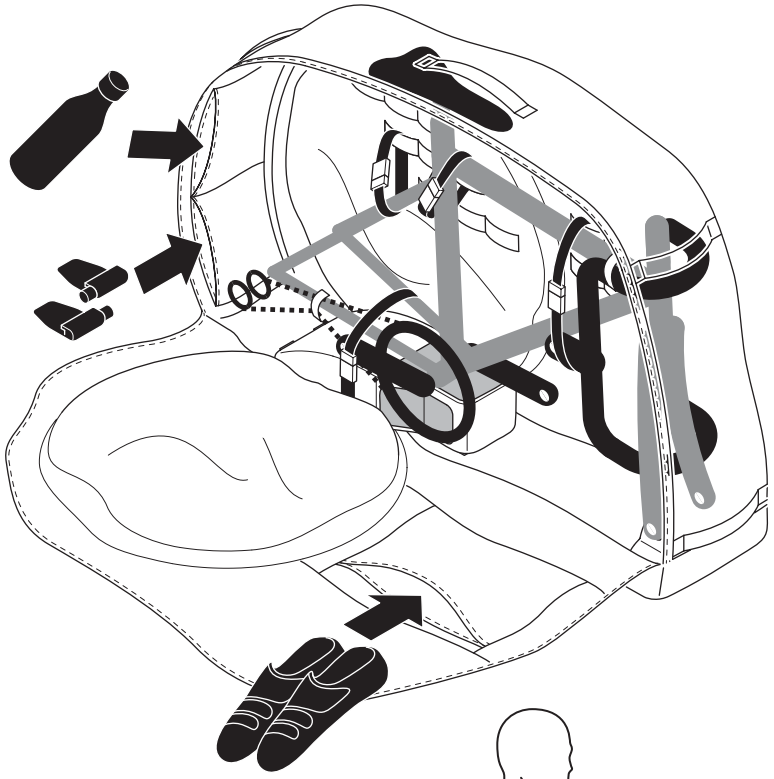
5





6



i



WW ▶  Thule Sweden AB, Box 69, 330 33 Hillerstorp, SWEDEN
NA ▶  Thule Inc., 42 Silvermine Road, Seymour, Connecticut 06483, USA

 info@thule.com
 Phone: 800-238-2388

 www.thule.com