

› Instructions

Thule BackPac Kit 18 Skoda - Volvo



EN Rear door-mounted bike carrier
DE Heckklappen-Fahrradträger
FR Porte-vélos sur le hayon arrière
NL Fietsdrager voor op de achterklep
IT Portabici da installare sul portellone posteriore
ES Portabicicletas de portón trasero
PT Suporte para bicicleta para tampa traseira
SV Bakluckemonterad cykelhållare
DK Cykelholder, der er monteret på bagklap
NO Bakdørmonterte lasteholdere
FI Tavaratilan oveen kiinnitettävä polkupyöräteline
ET Tagaluugile paigaldatav jalgrattahoidik
LV Uz aizmugurējām durvīm uzstādāms velosipēdu turētājs
LT Prie galinių durelių tvirtinami dviračių laikikliai
PL Bagażnik rowerowy montowany na tylnych drzwiach
RU Устанавливаемое на задней двери крепление для велосипедов
UK Багажник для велосипедів, що монтується на задніх дверцятках
BG Багажник за велосипеди, монтиран на задната врата
CS Nosič jízdních kol s montáží na zadní dveře
SK Nosič bicyklov s montážou na zadné dvere
SL Prtijažnik za kolesa za na zadnja vrata vozila
HR/BiH Nosač bicikla koji se postavlja na vrata prtijažnika
RO Suport pentru bicicletă montat pe ușa din spate
HU Hátsó ajtóra szerelhető kerékpártartó

EL Σχάρα ποδηλάτου πίσω πόρτας
TR Araç arkasına bağlanan bisiklet taşıyıcı

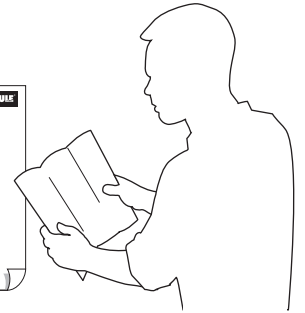
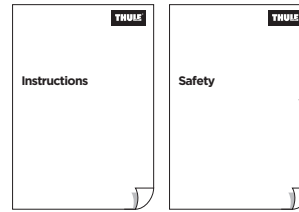
מנשא אופניים המורכב על הדלת האחורית
 حامل الدراجة للتثبيت على الباب الخلفي

HE
AR

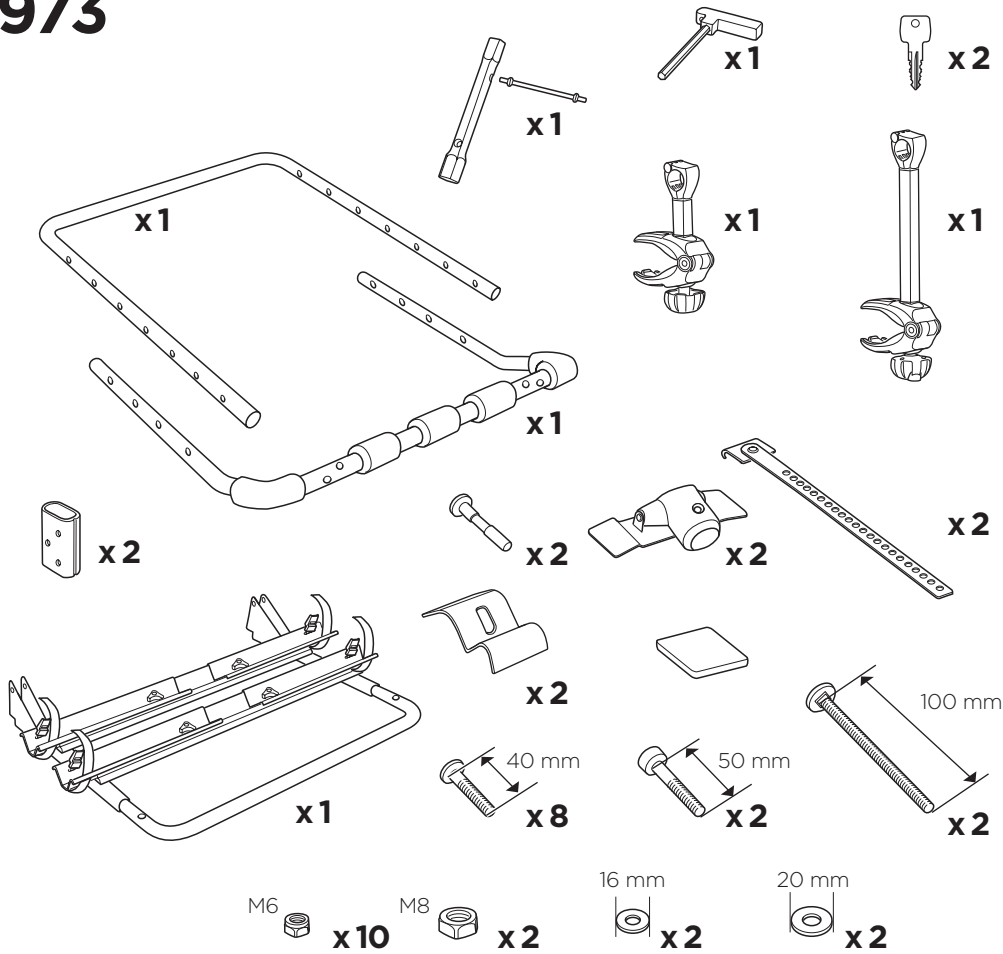
ZH 后备箱安装托架
JA リアドアマウント型サイクルキャリア
KO 뒷문 장착 자전거 캐리어
TH โครมึงยึดจับจักรยานแบบติดตั้งกับ
 ๕ตุท้ายรถ

CITY CRASH

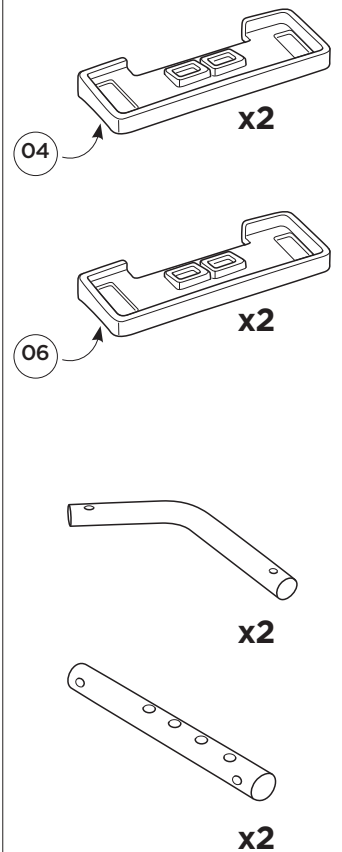
Complies with ISO norm



973

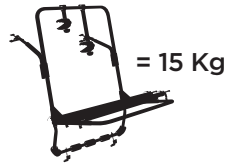


973-18

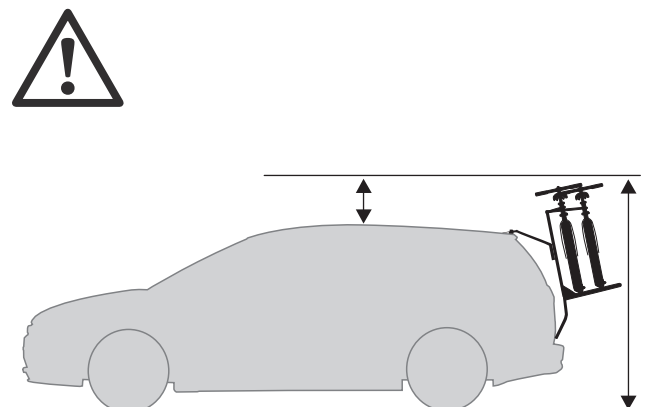
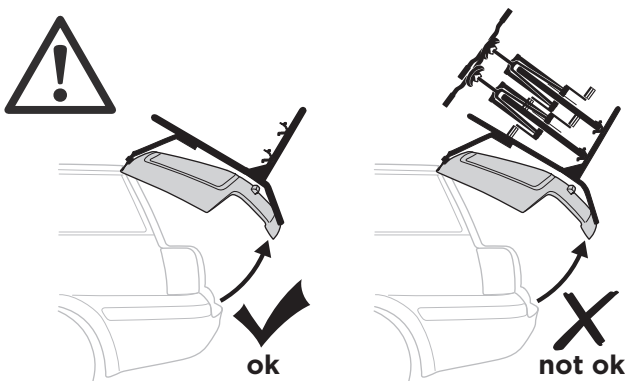
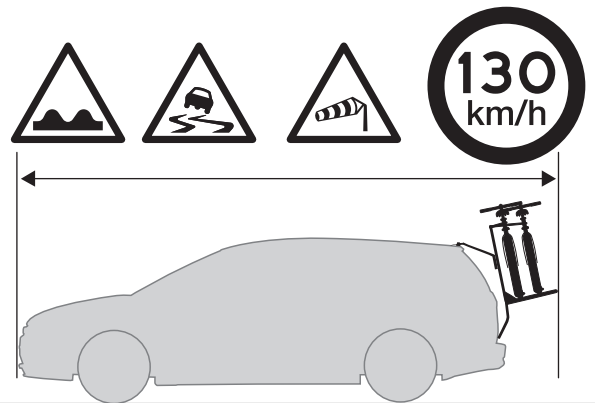
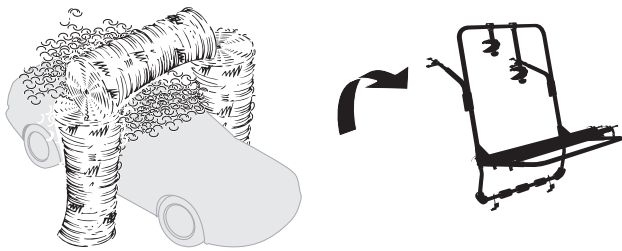
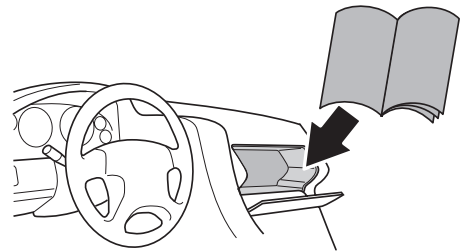
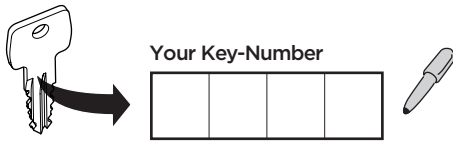




| | | | | | |
|---|----|---------|--|----|---------|
| SKODA Roomster, 5-dr MPV, 06-15 | - | 2/30 kg | VOLKSWAGEN CrossTouran, 5-dr MPV, 06-09 | ok | 4/60 kg |
| SKODA Roomster Scout, 5-dr MPV, 07-15 | - | 2/30 kg | VOLKSWAGEN Golf IV Variant, 5-dr Estate, 99-07 | ok | 3/45 kg |
| SUBARU Forester, 5-dr SUV, 03-07 | ok | 3/45 kg | VOLKSWAGEN Multivan (T5), 4-dr BUS, 03-15 | ok | 4/60 kg |
| SUZUKI Wagon R+, 5-dr MPV, 99-03 | ok | 3/45 kg | VOLKSWAGEN Multivan (T6), 4-dr BUS, 15- | ok | 4/60 kg |
| TOYOTA ProAce Verso, 5-dr BUS, 16- | ok | 3/45 kg | VOLKSWAGEN PanAmericana (T5), 4-dr BUS, 10-15 | ok | 4/60 kg |
| VAUXHALL Agila, 5-dr MPV, 00-07 | - | 3/45 kg | VOLKSWAGEN Polo Variant (Mk III), 5-dr Estate, 96-01 | ok | 3/45 kg |
| VAUXHALL Vectra, 5-dr Estate, 96-02 | ok | 2/30 kg | VOLKSWAGEN Touran, 5-dr MPV, 03-09 | ok | 4/60 kg |
| VAUXHALL Vivaro, 5-dr Van, 01-14 | - | 3/45 kg | VOLKSWAGEN Transporter (T4), 4-dr VAN, 91-02 | ok | 4/60 kg |
| VOLKSWAGEN Bora, 5-dr Estate, 99-05 | ok | 3/45 kg | VOLKSWAGEN Transporter (T5), 4-dr VAN, 03-15 | ok | 4/60 kg |
| VOLKSWAGEN Caddy Life, 5-dr MPV, 04-15 | ok | 2/30 kg | VOLKSWAGEN Transporter (T6), 4-dr VAN, 15- | ok | 4/60 kg |
| VOLKSWAGEN Caddy Maxi Life, 5-dr MPV, 08-15 | ok | 2/30 kg | VOLVO 740, 5-dr Estate, 84-92 | ok | 4/60 kg |
| VOLKSWAGEN Caddy Life, 5-dr MPV, 16- | ok | 2/30 kg | VOLVO 760, 5-dr Estate, 82-90 | ok | 4/60 kg |
| VOLKSWAGEN Caddy Maxi Life, 5-dr MPV, 16- | ok | 2/30 kg | VOLVO 940/960, 5-dr Estate, 90-98 | ok | 4/60 kg |
| VOLKSWAGEN California (T5), 4-dr BUS, 03-15 | ok | 4/60 kg | | | |
| VOLKSWAGEN California (T6), 4-dr BUS, 15- | ok | 4/60 kg | | | |
| VOLKSWAGEN Caravelle (T5), 4-dr BUS, 03-15 | ok | 4/60 kg | | | |

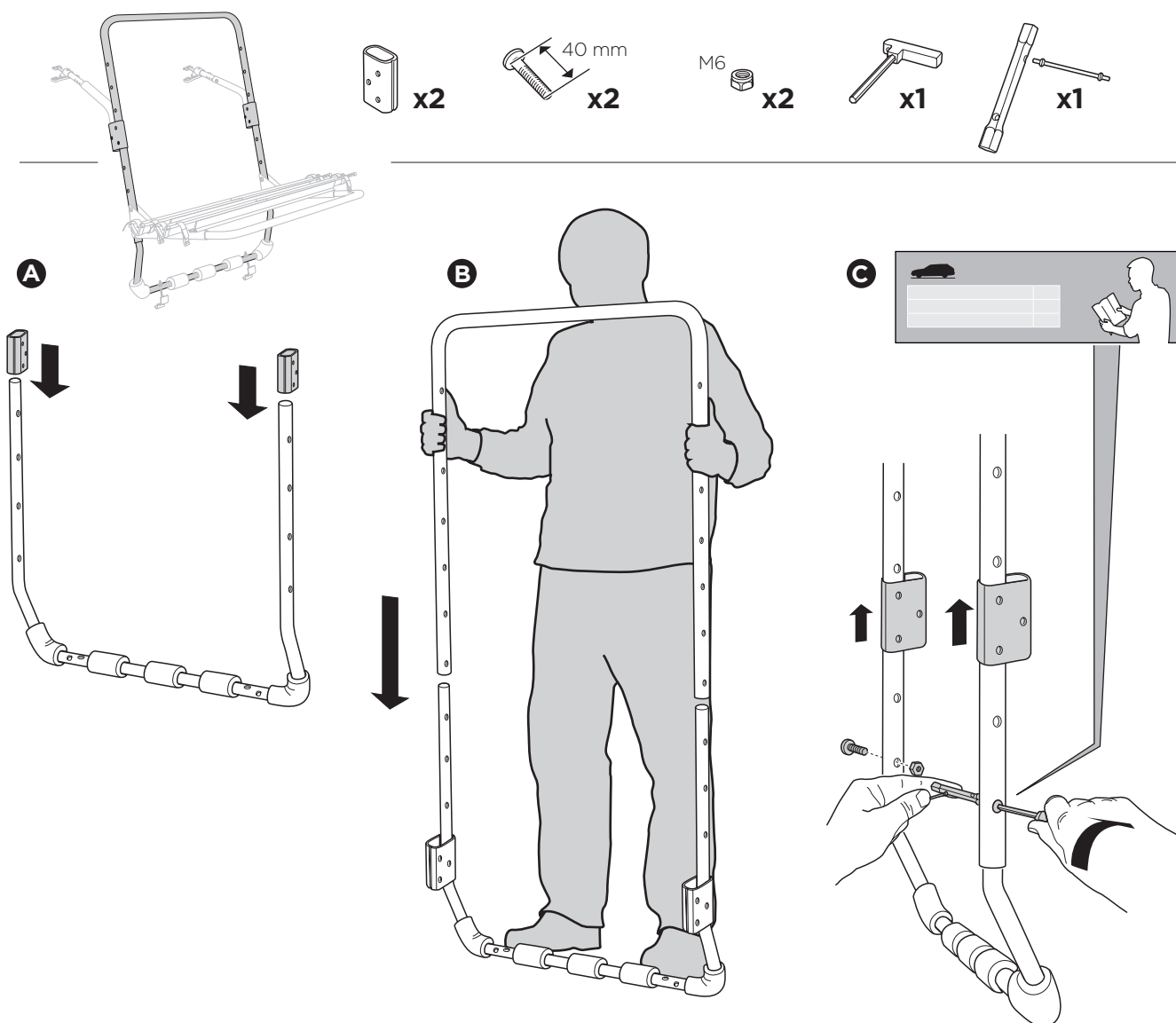
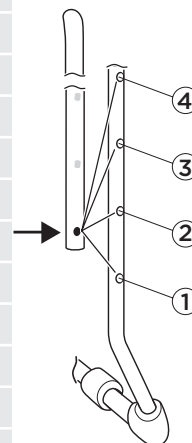


i





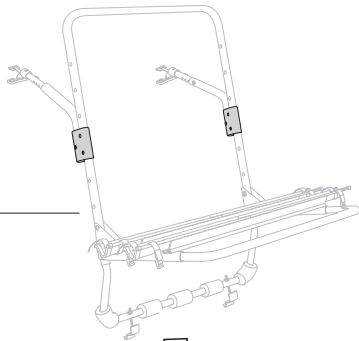
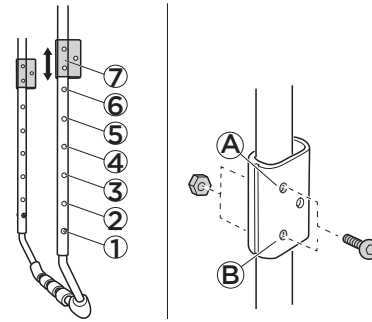
| | | | |
|---|---|--|---|
| SKODA Roomster, 5-dr MPV, 06-15 | 1 | VOLKSWAGEN CrossTouran, 5-dr MPV, 06-09 | 3 |
| SKODA Roomster Scout, 5-dr MPV, 07-15 | 1 | VOLKSWAGEN Golf IV Variant, 5-dr Estate, 99-07 | 2 |
| SUBARU Forester, 5-dr SUV, 03-07 | 3 | VOLKSWAGEN Multivan (T5), 4-dr BUS, 03-15 | 4 |
| SUZUKI Wagon R+, 5-dr MPV, 99-03 | 3 | VOLKSWAGEN Multivan (T6), 4-dr BUS, 15- | 4 |
| TOYOTA ProAce Verso, 5-dr BUS, 16- | 3 | VOLKSWAGEN PanAmericana (T5), 4-dr BUS, 10-15 | 4 |
| VAUXHALL Agila, 5-dr MPV, 00-07 | 3 | VOLKSWAGEN Polo Variant (Mk III), 5-dr Estate, 96-01 | 2 |
| VAUXHALL Vectra, 5-dr Estate, 96-02 | 3 | VOLKSWAGEN Touran, 5-dr MPV, 03-09 | 3 |
| VAUXHALL Vivaro, 5-dr Van, 01-14 | 4 | VOLKSWAGEN Transporter (T4), 4-dr VAN, 91-02 | 4 |
| VOLKSWAGEN Bora, 5-dr Estate, 99-05 | 2 | VOLKSWAGEN Transporter (T5), 4-dr VAN, 03-15 | 4 |
| VOLKSWAGEN Caddy Life, 5-dr MPV, 04-15 | 4 | VOLKSWAGEN Transporter (T6), 4-dr VAN, 15- | 4 |
| VOLKSWAGEN Caddy Maxi Life, 5-dr MPV, 08-15 | 4 | VOLVO 740, 5-dr Estate, 84-92 | 2 |
| VOLKSWAGEN Caddy Life, 5-dr MPV, 16 | 2 | VOLVO 760, 5-dr Estate, 82-90 | 2 |
| VOLKSWAGEN Caddy Maxi Life, 5-dr MPV, 16 | 2 | VOLVO 940/960, 5-dr Estate, 90-98 | 2 |
| VOLKSWAGEN California (T5), 4-dr BUS, 03-15 | 4 | | |
| VOLKSWAGEN California (T6), 4-dr BUS, 15- | 4 | | |
| VOLKSWAGEN Caravelle (T5), 4-dr BUS, 03-15 | 4 | | |




2

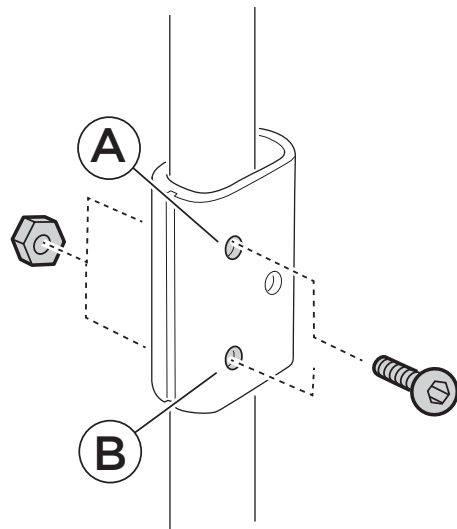
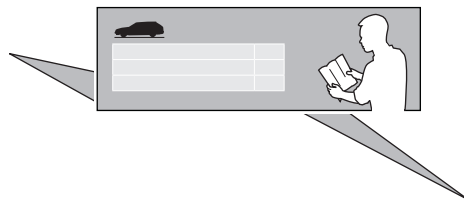
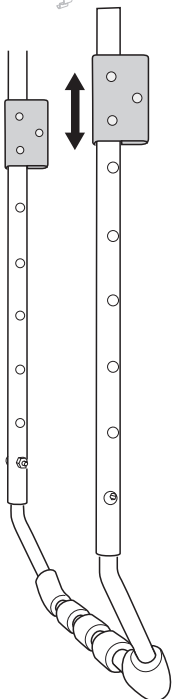
| | | |
|--|---|---|
| SKODA Roomster, 5-dr MPV, 06-15 | 5 | B |
| SKODA Roomster Scout, 5-dr MPV, 07-15 | 5 | B |
| SUBARU Forester, 5-dr SUV, 03-07 | 3 | B |
| SUZUKI Wagon R+, 5-dr MPV, 99-03 | 5 | A |
| TOYOTA ProAce Verso, 5-dr BUS, 16- | 7 | B |
| VAUXHALL Agila, 5-dr MPV, 00-07 | 5 | A |
| VAUXHALL Vectra, 5-dr Estate, 96-02 | 3 | B |
| VAUXHALL Vivaro, 5-dr Van, 01-14 | 7 | B |
| VOLKSWAGEN Bora, 5-dr Estate, 99-05 | 4 | A |
| VOLKSWAGEN Caddy Life, 5-dr MPV, 04-15 | 5 | B |
| VOLKSWAGEN Caddy Maxi Life, 5-dr MPV, 08-15 | 5 | B |
| VOLKSWAGEN Caddy Life, 5-dr MPV, 16- | 7 | B |
| VOLKSWAGEN Caddy Maxi Life, 5-dr MPV, 16- | 7 | B |
| VOLKSWAGEN California (T5), 4-dr BUS, 03-15 | 7 | B |
| VOLKSWAGEN California (T6), 4-dr BUS, 15- | 7 | B |
| VOLKSWAGEN Caravelle (T5), 4-dr BUS, 03-15 | 7 | B |
| VOLKSWAGEN CrossTouran, 5-dr MPV, 06-09 | 5 | A |
| VOLKSWAGEN Golf IV Variant, 5-dr Estate, 99-07 | 4 | A |

| | | |
|--|---|---|
| VOLKSWAGEN Multivan (T5), 4-dr BUS, 03-15 | 7 | B |
| VOLKSWAGEN Multivan (T6), 4-dr BUS, 15- | 7 | B |
| VOLKSWAGEN PanAmericana (T5), 4-dr BUS, 10-15 | 7 | B |
| VOLKSWAGEN Polo Variant (Mk III), 5-dr Estate, 96-01 | 3 | A |
| VOLKSWAGEN Touran, 5-dr MPV, 03-09 | 4 | B |
| VOLKSWAGEN Transporter (T4), 4-dr VAN, 91-02 | 7 | A |
| VOLKSWAGEN Transporter (T5), 4-dr VAN, 03-15 | 7 | B |
| VOLKSWAGEN Transporter (T6), 4-dr VAN, 15- | 7 | B |
| VOLVO 740, 5-dr Estate, 84-92 | 4 | A |
| VOLVO 760, 5-dr Estate, 82-90 | 4 | A |
| VOLVO 940/960, 5-dr Estate, 90-98 | 4 | A |

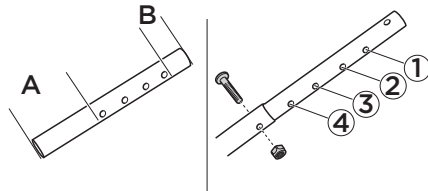


M6  x2

40 mm  x2

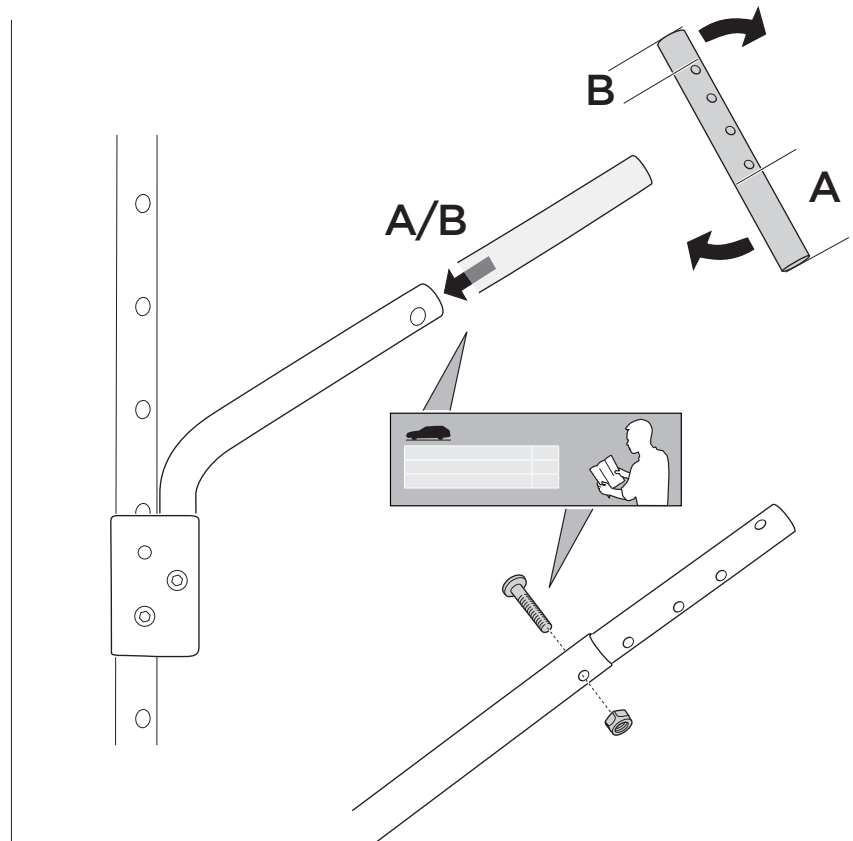
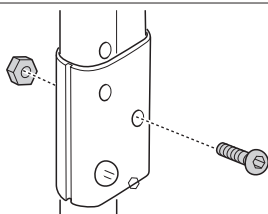
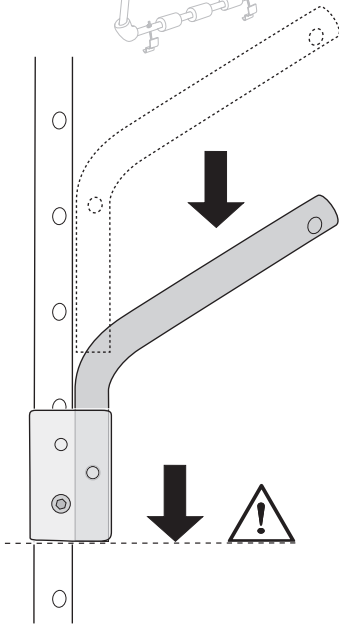
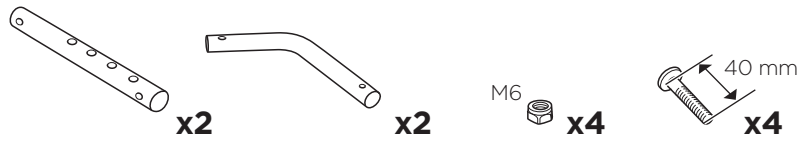
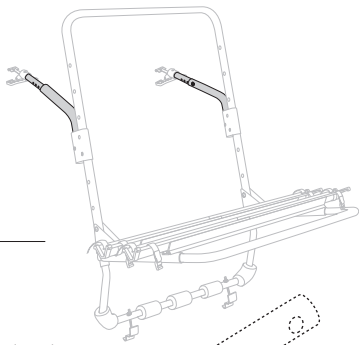


3

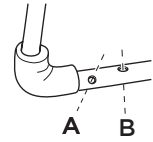
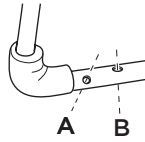


| | | |
|---|---|---|
| SKODA Roomster, 5-dr MPV, 06-15 | B | 4 |
| SKODA Roomster Scout, 5-dr MPV, 07-15 | B | 4 |
| SUBARU Forester, 5-dr SUV, 03-07 | B | 4 |
| SUZUKI Wagon R+, 5-dr MPV, 99-03 | A | 2 |
| TOYOTA ProAce Verso, 5-dr BUS, 16- | A | 4 |
| VAUXHALL Agila, 5-dr MPV, 00-07 | A | 2 |
| VAUXHALL Vectra, 5-dr Estate, 96-02 | B | 4 |
| VAUXHALL Vivaro, 5-dr Van, 01-14 | A | 4 |
| VOLKSWAGEN Bora, 5-dr Estate, 99-05 | A | 4 |
| VOLKSWAGEN Caddy Life, 5-dr MPV, 04-15 | B | 3 |
| VOLKSWAGEN Caddy Maxi Life, 5-dr MPV, 08-15 | B | 3 |
| VOLKSWAGEN Caddy Life, 5-dr MPV, 16- | A | 3 |
| VOLKSWAGEN Caddy Maxi Life, 5-dr MPV, 16- | A | 3 |
| VOLKSWAGEN California (T5), 4-dr BUS, 03-15 | B | 2 |
| VOLKSWAGEN California (T6), 4-dr BUS, 15- | B | 2 |
| VOLKSWAGEN Caravelle (T5), 4-dr BUS, 03-15 | B | 2 |

| | | |
|--|---|---|
| VOLKSWAGEN CrossTouran, 5-dr MPV, 06-09 | B | 1 |
| VOLKSWAGEN Golf IV Variant, 5-dr Estate, 99-07 | A | 4 |
| VOLKSWAGEN Multivan (T5), 4-dr BUS, 03-15 | B | 2 |
| VOLKSWAGEN Multivan (T6), 4-dr BUS, 15- | B | 2 |
| VOLKSWAGEN PanAmericana (T5), 4-dr BUS, 10-15 | B | 2 |
| VOLKSWAGEN Polo Variant (Mk III), 5-dr Estate, 96-01 | A | 2 |
| VOLKSWAGEN Touran, 5-dr MPV, 03-09 | B | 4 |
| VOLKSWAGEN Transporter (T4), 4-dr VAN, 91-02 | B | 1 |
| VOLKSWAGEN Transporter (T5), 4-dr VAN, 03-15 | B | 2 |
| VOLKSWAGEN Transporter (T6), 4-dr VAN, 15- | B | 2 |
| VOLVO 740, 5-dr Estate, 84-92 | A | 3 |
| VOLVO 760, 5-dr Estate, 82-90 | A | 3 |
| VOLVO 940/960, 5-dr Estate, 90-96 | A | 3 |

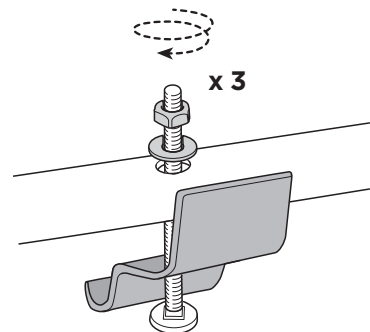
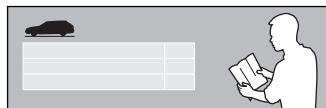
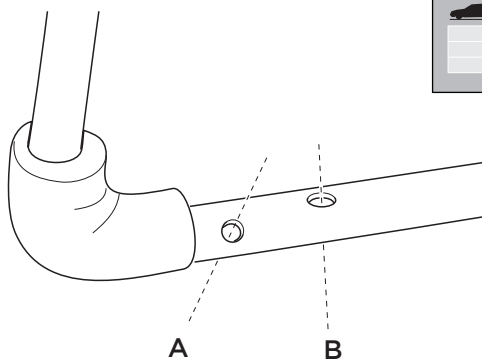
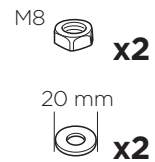
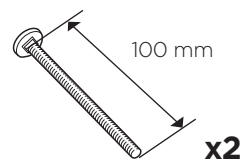
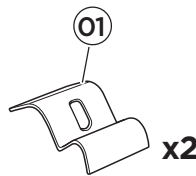
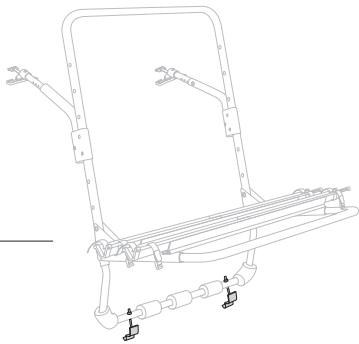


4

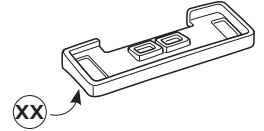
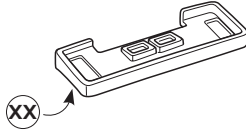


| | |
|---|---|
| SKODA Roomster, 5-dr MPV, 06-15 | B |
| SKODA Roomster Scout, 5-dr MPV, 07-15 | B |
| SUBARU Forester, 5-dr SUV, 03-07 | B |
| SUZUKI Wagon R+, 5-dr MPV, 99-03 | B |
| TOYOTA ProAce Verso, 5-dr BUS, 16- | B |
| VAUXHALL Agila, 5-dr MPV, 00-07 | B |
| VAUXHALL Vectra, 5-dr Estate, 96-02 | A |
| VAUXHALL Vivaro, 5-dr Van, 01-14 | B |
| VOLKSWAGEN Bora, 5-dr Estate, 99-05 | B |
| VOLKSWAGEN Caddy Life, 5-dr MPV, 04-15 | B |
| VOLKSWAGEN Caddy Maxi Life, 5-dr MPV, 08-15 | B |
| VOLKSWAGEN Caddy Life, 5-dr MPV, 16- | B |
| VOLKSWAGEN Caddy Maxi Life, 5-dr MPV, 16- | B |
| VOLKSWAGEN California (T5), 4-dr BUS, 03-15 | A |
| VOLKSWAGEN California (T6), 4-dr BUS, 15- | A |
| VOLKSWAGEN Caravelle (T5), 4-dr BUS, 03-15 | A |

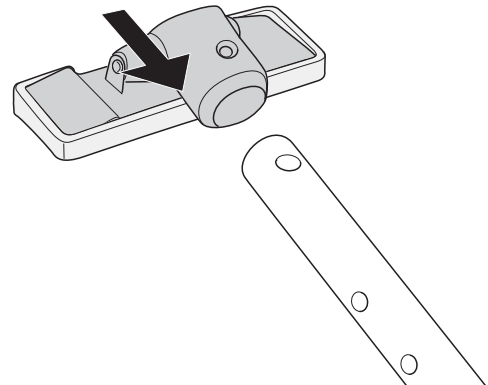
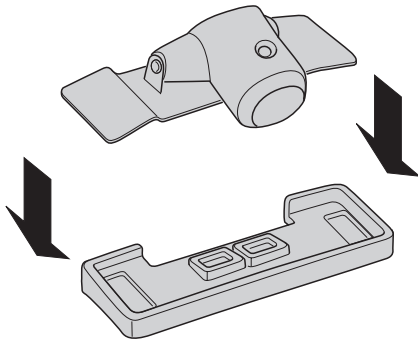
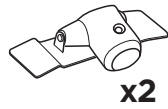
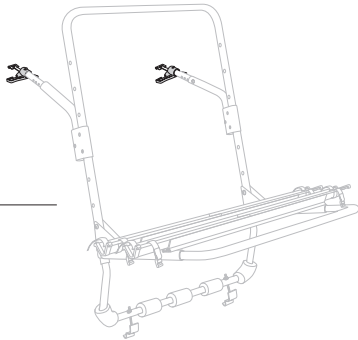
| | |
|--|---|
| VOLKSWAGEN CrossTouran, 5-dr MPV, 06-09 | A |
| VOLKSWAGEN Golf IV Variant, 5-dr Estate, 99-07 | B |
| VOLKSWAGEN Multivan (T5), 4-dr BUS, 03-15 | A |
| VOLKSWAGEN Multivan (T6), 4-dr BUS, 15- | A |
| VOLKSWAGEN PanAmericana (T5), 4-dr BUS, 10-15 | A |
| VOLKSWAGEN Polo Variant (Mk III), 5-dr Estate, 96-01 | A |
| VOLKSWAGEN Touran, 5-dr MPV, 03-09 | A |
| VOLKSWAGEN Transporter (T4), 4-dr VAN, 91-02 | A |
| VOLKSWAGEN Transporter (T5), 4-dr VAN, 03-15 | A |
| VOLKSWAGEN Transporter (T6), 4-dr VAN, 15- | A |
| VOLVO 740, 5-dr Estate, 84-92 | A |
| VOLVO 760, 5-dr Estate, 82-90 | A |
| VOLVO 940/960, 5-dr Estate, 90-98 | A |



5

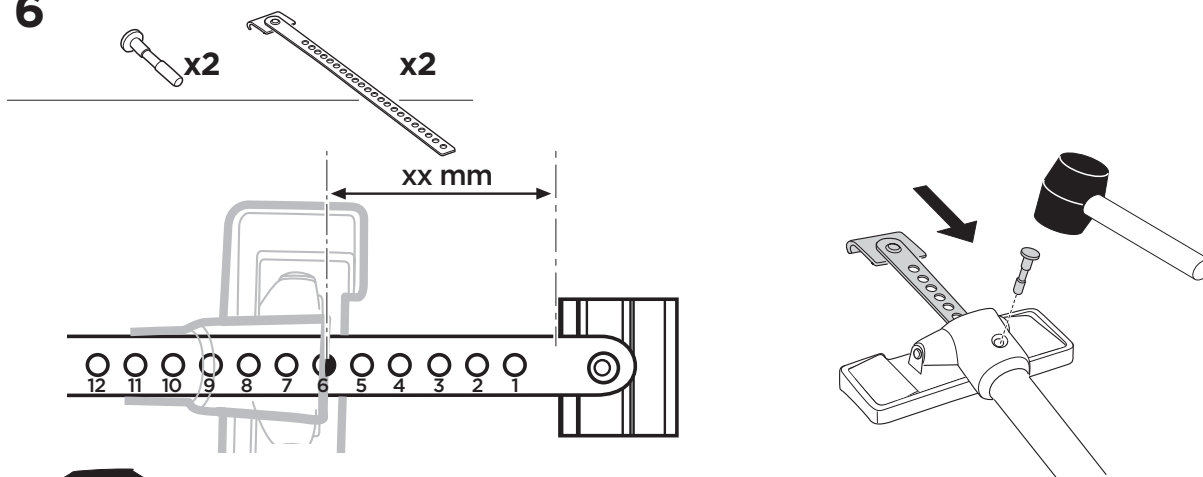


| | | | |
|---|----|--|----|
| SKODA Roomster, 5-dr MPV, 06-15 | 06 | VOLKSWAGEN CrossTouran, 5-dr MPV, 06-09 | 04 |
| SKODA Roomster Scout, 5-dr MPV, 07-15 | 06 | VOLKSWAGEN Golf IV Variant, 5-dr Estate, 99-07 | 06 |
| SUBARU Forester, 5-dr SUV, 03-07 | 06 | VOLKSWAGEN Multivan (T5), 4-dr BUS, 03-15 | 04 |
| SUZUKI Wagon R+, 5-dr MPV, 99-03 | 06 | VOLKSWAGEN Multivan (T6), 4-dr BUS, 15- | 04 |
| TOYOTA ProAce Verso, 5-dr BUS, 16- | 06 | VOLKSWAGEN PanAmericana (T5), 4-dr BUS, 10-15 | 04 |
| VAUXHALL Agila, 5-dr MPV, 00-07 | 06 | VOLKSWAGEN Polo Variant (Mk III), 5-dr Estate, 96-01 | 04 |
| VAUXHALL Vectra, 5-dr Estate, 96-02 | 06 | VOLKSWAGEN Touran, 5-dr MPV, 03-09 | 04 |
| VAUXHALL Vivaro, 5-dr Van, 01-14 | 04 | VOLKSWAGEN Transporter (T4), 4-dr VAN, 91-02 | 04 |
| VOLKSWAGEN Bora, 5-dr Estate, 99-05 | 06 | VOLKSWAGEN Transporter (T5), 4-dr VAN, 03-15 | 04 |
| VOLKSWAGEN Caddy Life, 5-dr MPV, 04-15 | 04 | VOLKSWAGEN Transporter (T6), 4-dr VAN, 15- | 04 |
| VOLKSWAGEN Caddy Maxi Life, 5-dr MPV, 08-15 | 04 | VOLVO 740, 5-dr Estate, 84-92 | 06 |
| VOLKSWAGEN Caddy Life, 5-dr MPV, 16- | 06 | VOLVO 760, 5-dr Estate, 82-90 | 06 |
| VOLKSWAGEN Caddy Maxi Life, 5-dr MPV, 16- | 06 | VOLVO 940/960, 5-dr Estate, 90-98 | 06 |
| VOLKSWAGEN California (T5), 4-dr BUS, 03-15 | 04 | | |
| VOLKSWAGEN California (T6), 4-dr BUS, 15- | 04 | | |
| VOLKSWAGEN Caravelle (T5), 4-dr BUS, 03-15 | 04 | | |



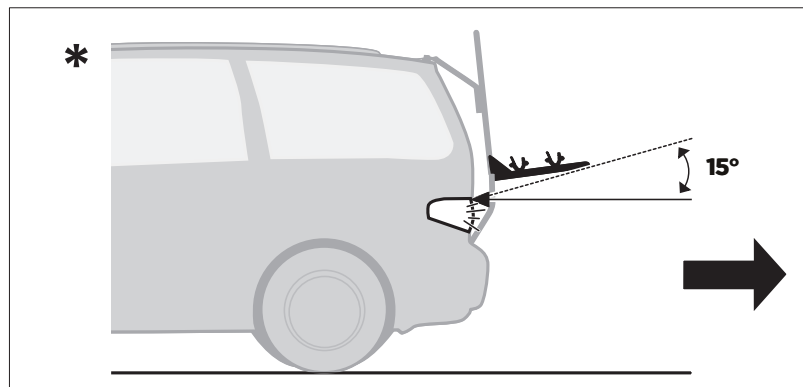
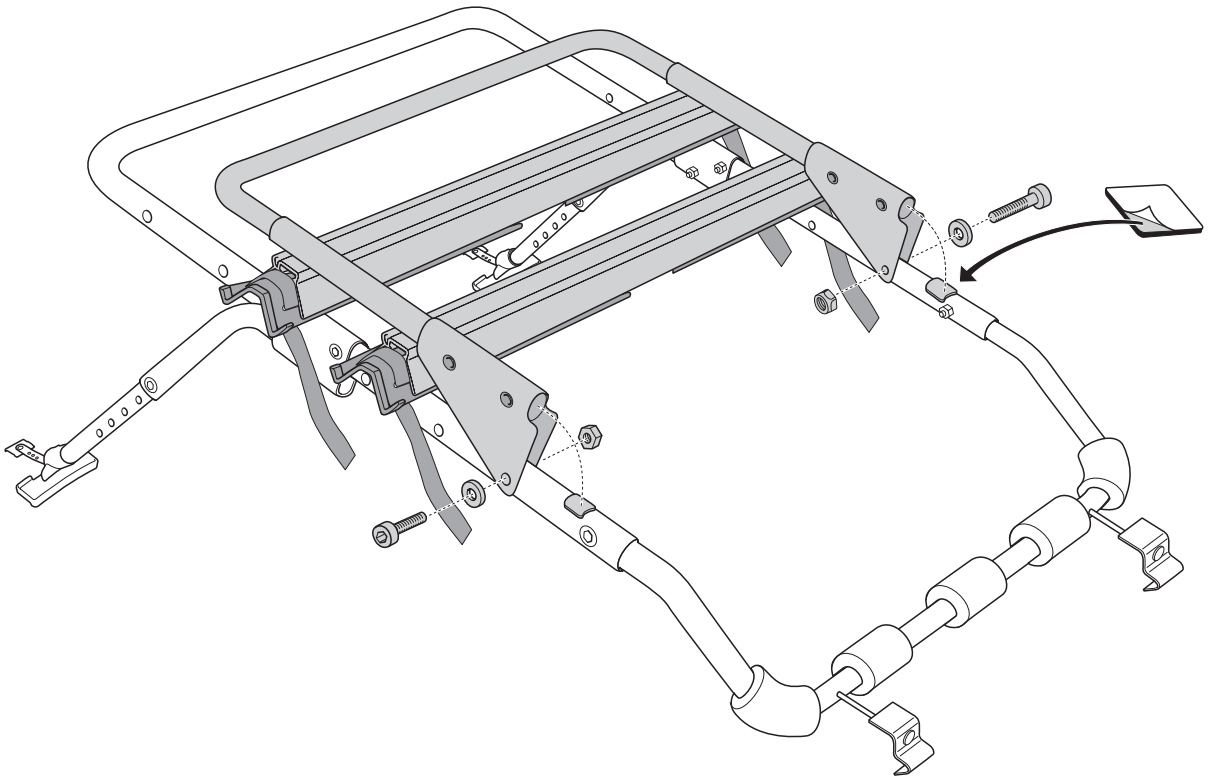
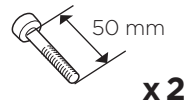
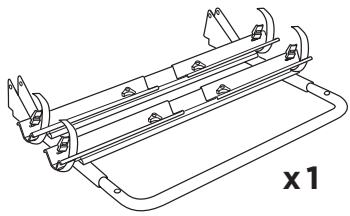
- EN** **Check** the settings for your car model in the table; count the number of visible holes.
- DE** **Kontrollieren** Sie die Einstellungen für Ihr Fahrzeug-Modell gemäß der Tabelle durch Zählen der sichtbaren Löcher.
- FR** **Contrôlez** dans le tableau les indications de réglage pour votre voiture. Comptez le nombre de trous visibles.
- NL** **Controleer** de instellingen voor uw automodel in de tabel, tel het aantal zichtbare gaten.
- IT** **Verificare** le impostazioni per il proprio modello di automobile; contare il numero di fori visibili.
- ES** **Verifique** en la tabla la correcta colocación según su modelo de automóvil: cuente el número de agujeros visibles.
- PT** **Verificar** os ajustes para o seu modelo de carro conforme a tabela; conte o número de orifícios visíveis.
- SV** **Kontrollera** inställningarna för din bilmodell i tabellen, räkna antal synliga hål.
- DK** **Kontrollér** indstillingerne for din bilmodel i tabellen. Tæl antallet af synlige huller.
- NO** **Kontroller** innstillingene for bilmodellen din i tabellen. Tell antall synlige hull.
- FI** **Tarkista** taulukosta automallikohtaiset säädöt. Laske näkyvien reikien lukumäärä.
- ET** **Kontrollige** tabelist oma masina seadeid; lugege üle nähtavad augud.
- LV** Tabulā **pārbaudiet** jūsu automobiļa modeļa iestatījumus; saskaitiet redzamos caurumus.
- LT** Savo automobilio modelio parametrus **pasitikslinkite** pagal lentelėje pateiktus duomenis; suskaičiuokite matomų angų skaičių.
- PL** **Sprawdź** w tabeli ustawienia właściwe dla Twojego samochodu. Policz widoczne otwory.
- RU** **Посмотрите** спецификации вашей модели автомобиля в таблице; сосчитайте количество видимых отверстий.
- UK** **Ознайомтеся** зі вказаними в таблиці специфікаціями вашої моделі автомобіля. Порахуйте кількість видимих отворів.
- BG** **Проверете** настройките за Вашия модел автомобил в таблицата; пребройте видимите отвори.
- CS** **Zkontrolujte** nastavení pro svůj model automobilu v tabulce; odpočítejte viditelné otvory.
- SK** **Skontrolujte** nastavenia v tabulke pre model vášho vozidla; spočítajte počet viditeľných dier.
- SL** **Preverite** v tabeli nastavitve za vaš model in tip vozila. Preštejte število vidnih lukenj.
- HR/BiH** U tablici **provjerite** postavke za vaš model automobila; prebrojite vidljive rupe.
- RO** **Verificați** setările aferente modelului dvs. de mașină în tabel; numărați orificiile vizibile.
- HU** **Ellenőrizze** a saját gépkocsijára vonatkozó beállításokat a táblázaton; számolja meg a látható furatokat.
- EL** Ελέγξτε τις ρυθμίσεις για το μοντέλο του αυτοκινήτου σας στον πίνακα και μετρήστε τον αριθμό των ορατών τρυπών.
- TR** Tablodan araba modelinizin ayarlarını **kontrol edin**; görünebilir delik sayısını sayın.
- HE** בדקו את ההגדרות עבור הדגם של כלי הרכב שלכם בטבלה; ספור את מספר החורים הנלווים.
- AR** راجع الإعدادات الخاصة بطراز السيارة في الجدول؛ واحسب عدد الفتحات المرئية.
- ZH** 在表中查看适合您的车型的装配方式；数一下可看到的孔的个数
- JA** ご使用の車体モデルの設定を表で確認し、見える穴の数を数えてください
- KO** 표에서 차종별 설정을 확인하여 구멍의 위치에 조립 하시기 바랍니다.
- TH** ตรวจสอบการติดตั้งสำหรับรุ่นรถยนต์ของคุณในตารางนี้ นับจำนวนรูที่มองเห็น

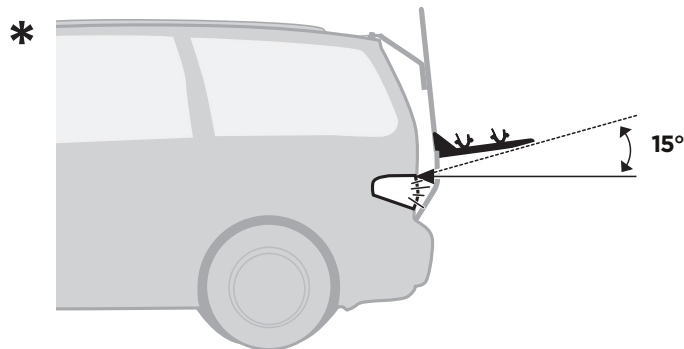
6



| | | | |
|---|-----------|--|---------|
| SKODA Roomster, 5-dr MPV, 06-15 | 14/154 mm | VOLKSWAGEN CrossTouran, 5-dr MPV, 06-09 | 4/44 mm |
| SKODA Roomster Scout, 5-dr MPV, 07-15 | 14/154 mm | VOLKSWAGEN Golf IV Variant, 5-dr Estate, 99-07 | 9/99 mm |
| SUBARU Forester, 5-dr SUV, 03-07 | 6/66 mm | VOLKSWAGEN Multivan (T5), 4-dr BUS, 03-15 | 4/44 mm |
| SUZUKI Wagon R+, 5-dr MPV, 99-03 | 4/44 mm | VOLKSWAGEN Multivan (T6), 4-dr BUS, 15- | 5/55 mm |
| TOYOTA ProAce Verso, 5-dr BUS, 16- | 4/44 mm | VOLKSWAGEN PanAmericana (T5), 4-dr BUS, 10-15 | 4/44 mm |
| VAUXHALL Agila, 5-dr MPV, 00-07 | 4/44 mm | VOLKSWAGEN Polo Variant (Mk III), 5-dr Estate, 96-01 | 2/22 mm |
| VAUXHALL Vectra, 5-dr Estate, 96-02 | 3/33 mm | VOLKSWAGEN Touran, 5-dr MPV, 03-09 | 4/44 mm |
| VAUXHALL Vivaro, 5-dr Van, 01-14 | 3/33 mm | VOLKSWAGEN Transporter (T4), 4-dr VAN, 91-02 | 6/66 mm |
| VOLKSWAGEN Bora, 5-dr Estate, 99-05 | 9/99 mm | VOLKSWAGEN Transporter (T5), 4-dr VAN, 03-15 | 4/44 mm |
| VOLKSWAGEN Caddy Life, 5-dr MPV, 04-15 | 2/22 mm | VOLKSWAGEN Transporter (T6), 4-dr VAN, 15- | 5/55 mm |
| VOLKSWAGEN Caddy Maxi Life, 5-dr MPV, 08-15 | 2/22 mm | VOLVO 740, 5-dr Estate, 84-92 | 7/77 mm |
| VOLKSWAGEN Caddy Life, 5-dr MPV, 16- | 8/88 mm | VOLVO 760, 5-dr Estate, 82-90 | 7/77 mm |
| VOLKSWAGEN Caddy Maxi Life, 5-dr MPV, 16- | 8/88 mm | VOLVO 940/960, 5-dr Estate, 90-98 | 7/77 mm |
| VOLKSWAGEN California (T5), 4-dr BUS, 03-15 | 4/44 mm | | |
| VOLKSWAGEN California (T6), 4-dr BUS, 15- | 5/55 mm | | |
| VOLKSWAGEN Caravelle (T5), 4-dr BUS, 03-15 | 4/44 mm | | |

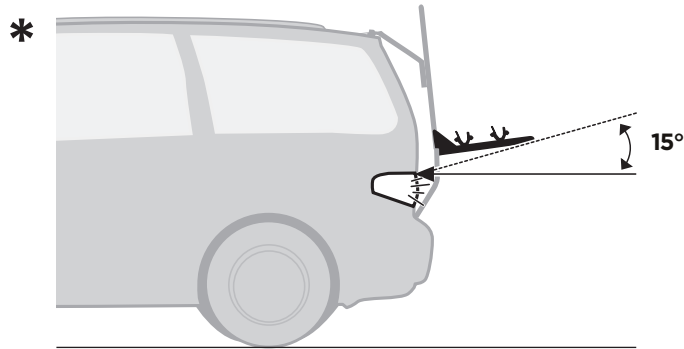
7





*

- EN IMPORTANT!** In order for the vehicle to be allowed to be driven on the road, some countries require that the car's tail lights and number plate be visible at an angle of 15° upwards. Make sure that your car meets this regulation if it applies in the country in which you are travelling. If it does not, raise the bike shelf one hole.
- DE WICHTIG!** In einigen Ländern ist es vorgeschrieben, dass die Rücklichter und das Kennzeichen in einem 15° Winkel nach oben erkennbar sind. Wenn diese Forderung nicht erfüllt ist, ist die Fahrradkonsole um ein Loch nach oben versetzen.
- FR IMPORTANT!** La législation exige dans certains pays que la plaque d'immatriculation et les feux arrière soient visibles jusqu'à un angle de 15° vers le haut lorsque la voiture roule. Veuillez contrôler que c'est bien le cas avec votre voiture. Sinon, relever la plateforme vélo jusqu'au trou suivant.
- NL BELANGRIJK!** In sommige landen mag de auto alleen worden gebruikt als de achterlichten en de nummerplaat tot een hoek van 15° naar boven zichtbaar zijn. Zorg ervoor dat dit het geval is of plaats anders de fietsplank een gat hoger.
- IT IMPORTANTE!** In alcuni Paesi, il codice della strada impone che le luci di posizione e la targa del veicolo debbano essere visibili ad un angolo di 15° verso l'alto. Accertarsi che la propria automobile sia conforme alle norme vigenti nel Paese in cui stai viaggiando. In caso contrario, sollevare le guide per bicicletta di un foro.
- ES IMPORTANTE!** Para que el vehículo pueda circular por carretera, en algunos países se exige que la luces traseras y la placa de matrícula sean visibles con un ángulo hacia arriba de 15°. Si esta norma tiene vigencia en el país por el que circula, asegúrese de que su automóvil cumpla con ella. De no ser así, eleve un agujero la plataforma de las bicicletas.
- PT IMPORTANTE** Para que o veículo possa circular em rodovias, alguns países exigem que as luzes traseiras e a placa devam estar visíveis em um ângulo de 15° para cima. Certifique-se de que seu veículo atende aos regulamentos em vigor no país por onde viajar. Caso contrário, eleve a prateleira de bicicletas em um orifício.
- SV VIKTIGT !** För att fordonet skall få framföras krävs i vissa länder att bakljus och nummerplåt är synliga i en vinkel på 15° uppåt. Försäkra dig om att så är fallet. I annat fall höjs cykelhyllan ett hål.
- DK VIGTIGT!** I nogle lande er det lovpligtigt, at bilens baglygter og nummerplade er synlige i en vinkel på 15° i opadgående retning. Sørg for, at din bil opfylder dette krav, hvis det er gældende i det land, du rejser i. Hvis din bil ikke opfylder kravet, løft cykelholderen et hul.
- NO VIKTIG!** Enkelte land krever at baklysene og nummerskiltet er synlig ved en vinkel på 15° oppover for at bilen skal kunne brukes på veien. Sørg for at bilen din oppfyller disse kravene hvis de gjelder for det landet du befinner deg i. Hvis dette ikke er aktuelt, hever du sykkelstativet ett hakk opp.
- FI TÄRKEÄÄ!** Joissakin maissa ajoneuvolla ajo on sallittua vain, kun ajoneuvon takavalot ja rekisterikilpi ovat nähtävissä 15° asteen kulmasta ylöspäin. Jos mainittua säännöstä sovelletaan siinä maassa, jossa autoilet, varmista, että autosi täyttää säännöksen vaatimukset. Jos vaatimukset eivät täyty, nosta pyöräkannatin yhtä reikää ylemmäksi.
- ET TAHTIS!** Et lubada sõidukit teel pukseerida, nõuavad mõned riigid, et auto tagatuled ja numbrimark oleksid nähtavad 15° võrra ülespoole. Veenduge, et Teie auto vastab selle riigi nõudmistele, kuhu Te reisite. Kui ei vasta, siis tõstke jalgrattahoidiku renni ühe augu võrra.
- LV SVARĪGI** Dažās valstīs, lai ar transportlīdzekli varētu pārvietoties pa ceļu, automobiļa aizmugures lukturiem un numura plāksnītei jābūt redzamiem 15° leņķī, skatoties no augšas. Ja valstī, kurā atrodaties, pastāv šāda prasība, pārliecinieties, ka jūsu automobīlis tai atbilst. Ja neatbilst, pārvietojiet velosipēdu turētāju par vienu caurumu uz augšu.
- LT SVARBU** Kai kuriose šalyse važiuoti keliais leidžiama tik tomis transporto priemonėmis, kurių galiniai žibintai ir valstybinis numeris matomi 15° kampū iš viršaus. Įsitinkinkite, kad jūsų automobilis atitinka šį reikalavimą, jei jis galioja valstybėje, kurioje keliaujate. Jei automobilis reikalavimo neatitinka, pakelkite dviračių lentynėlę aukštytin per vieną angą.
- PL WAŻNE!** W niektórych krajach w pojeździe dopuszczonym do ruchu tylne światła oraz tablica rejestracyjna muszą być widoczne z góry pod kątem 15°. Jeżeli taki przepis obowiązuje w kraju, po którym podróżujesz upewnij się, że Twój samochód spełnia ten warunek po zamontowaniu bagażnika. Jeżeli nie podnieś półkę z rowerami o jeden otwór do góry.
- RU ВАЖНО!** В некоторых странах установлены ограничения для автомобилей на некоторых видах дорог, задние фонари и номерные знаки должны быть видны под углом 15° вверх. В случае путешествия на автомобиле в стране, в которой установлено такое требование, убедитесь, что автомобиль соответствует ему. Если требование не соблюдается, поднимите кронштейн велосипеда на одно отверстие.
- UK ВАЖЛИВО!** У деяких країнах для отримання права на водіння автомобіля, потрібно, щоб під час руху задні фари автомобіля та номерний знак були видимі під кутом 15° угору. Якщо у країні, у якій ви подорожуєте, таке правило має силу, переконайтеся, що ваш автомобіль відповідає цим вимогам. Інакше підніміть кронштейн велосипеда на один отвір вище.



*

BG ВАЖНО! За да бъде позволено на превозното средство да се движи по пътищата, някои държави изискват задните светлини и регистрационният номер на автомобила да бъдат видими при ъгъл от 15°, гледано отгоре. Убедете се, че Вашият автомобил отговаря на тази разпоредба, ако тя се отнася за държавата, в която пътувате. Ако не отговаря, повдигнете стойката за велосипед с един отвор.

CS DŮLEŽITÉ! Aby bylo možné automobil používat na silnici, je v některých zemích vyžadováno, aby byla světla zadních dveří a poznávací značka viditelná z horního úhlu 15°. Pokud toto nařízení platí v zemi, ve které cestujete, ujistěte se, že jej automobil splňuje. Pokud ne, zvedněte stojan kola o jeden otvor.

SK DÔLEŽITÉ! Aby bola možná prevádzka vozidla na komunikáciách, je v niektorých štátoch povinné, aby zadné svetlá a poznávacia značka vozidla boli viditeľné aj pod uhlom väčším ako 15°. Ak vozidlo používate v krajine, ktorá má takýto predpis, uistite sa, že vaše vozidlo tieto požiadavky spĺňa. Ak tomu tak nie je, zdvihnite držiak bicyklov o jednu dieru.

SL PAZITE! Zakon v nekaterih državah zahteva, da so zadnje luei luči in registrska tablica vidna pod kotom 15° stopinj, prepričajte se, da vaš prtljažnik ustreza zahtevam države v kateri ste in v katero potujete. Nosilec za kolesa lahko dvignete glede na niz lukenj v okvirju.

HR/BIH VAŽNO! Zakon u nekim državama određuje da stražnja svjetla i registracijske oznake budu vidljive pod kutom od 15 stupnjeva. Provjerite da li vaše vozilo i nosač bicikla udovoljavaju tom pravilu u državi u kojoj ih koristite. U protivnom podignite nosač na slijedeću rupu.

RO IMPORTANT! Pentru ca vehiculul să poată fi condus pe drum, anumite țări solicită ca luminile de poziție și placa de înmatriculare să fie vizibile la un unghi de 15° din sus. Asigurați-vă că mașina respectă această reglementare, dacă este aplicabilă în țara în care călătoriți. Dacă nu o respectă, ridicați suportul de bicicletă cu un orificiu.

HU FONTOS! Egyes országokban a közúti közlekedés egyik feltétele, hogy a gépkocsi hátsó lámpái és a rendszámtábla 15 fokban láthatók legyenek. Győződjön meg arról, hogy gépkocsija megfelel azon ország szabályainak, ahol utazik. Amennyiben nem, akkor emelje meg a kerékpártartót egy furattal.

EL ΣΗΜΑΝΤΙΚΟ Για να επιτραπεί η κίνηση του αυτοκινήτου στο δρόμο, ορισμένες χώρες απαιτούν να είναι ορατά τα πίσω φώτα και η πινακίδα κυκλοφορίας του οχήματος από μία γωνία 15° και άνω. Βεβαιωθείτε πως το αυτοκίνητό σας τηρεί αυτό τον κανονισμό αν αυτός ισχύει στη χώρα στην οποία ταξιδεύετε. Αν δεν τον τηρεί, σηκώστε το ράφι του ποδηλάτου κατά μία τρύπα.

TR ÖNEMLİ Aracınızın ülke trafik kanunlarına uygun seyri açısından, bazı ülkelerde 15° üzeri açılarda stop lambalarının ve plakanın görünebilir olması zorunludur. Seyahat ettiğiniz ülkede böyle bir düzenleme varsa, aracınızın bu düzenlemeye uygun olduğundan emin olun. Aracınız uygun durumda değilse, bisikletleri taşıyan rafı bir delik yukarı kaldırın.

HE חשוב! כדי שתורשה לנסוע בכלי הרכב שברשותך בכביש, במדינות מסוימות קיימת דרישה לפיה הפנסים האחוריים בכלי הרכב ולוחית מספר הרישוי שלו חייבים להיות גלויים בזווית של 15 מעלות כלפי מעלה. ודא שכלי הרכב שברשותך עומד בתקנה זו אם היא חלה במדינה שבה אתה נוסע. אם תקנה זו אינה חלה, הגבה את מדף האופניים בחור אחד.

AR هام! للسماح للمركبة بالسير على الطريق، تتطلب بعض البلدان أن تكون المصابيح الخلفية بالسيارة ولوحة الأرقام مرئية بزواوية 15 درجة لأعلى. تأكد من التزام السيارة بهذه اللائحة إذا كانت مطبقة في البلد الذي توجد به. إذا لم تكن كذلك، فارفع حامل الدراجة فتحة واحدة.

ZH 重要事项! 为使汽车获准在公路上行驶，一些国家要求从上方15°角方向能够看到汽车尾灯和车号牌。如果您在实行此规定的国家旅行，请确保您的汽车满足规定要求。如果该国无此规定，则可将自行车架的位置提高一个孔。

JA 重要! 国によっては、車を路上で運転する際、テールライトおよびナンバープレートが上方15度の角度で見えなくてはならない場合があります。走行する国でこの規則が適用される場合、ご使用の車がこの規則に合致しているかを確認してください。合致していない場合、自転車シェルフを1穴分上げてください。

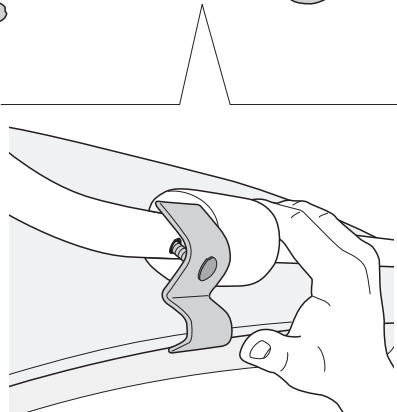
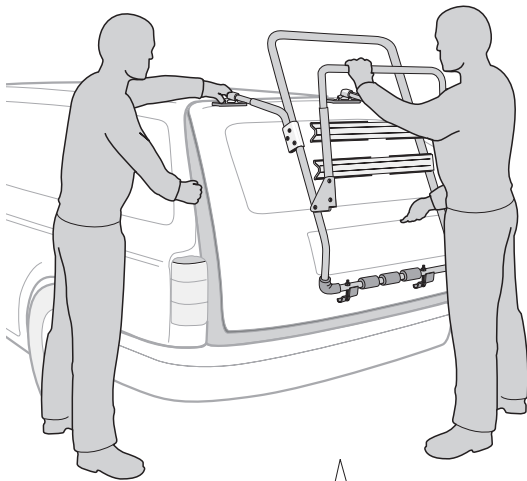
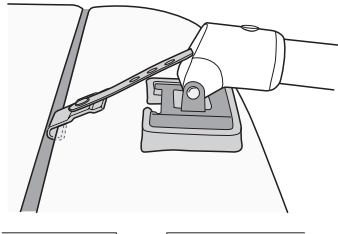
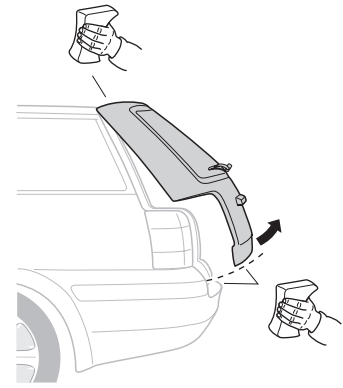
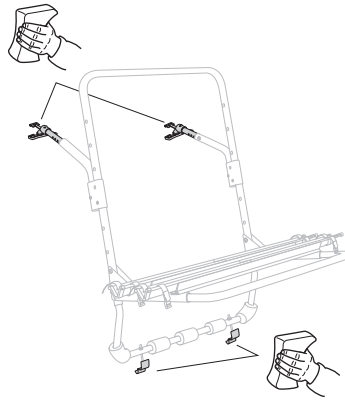
KO 중요! 일부 국가의 경우, 도로에서 차량을 주행하려면 차량의 후방등과 번호판이 위쪽 15°에서 보여야 합니다. 위와 같은 법규를 가진 국가를 여행 중인지 확인하십시오. 법규가 해당되는 경우, 자전거 선반을 구멍 하나 높이만큼 올리십시오.

TH ข้อความสำคัญ เพื่อให้สามารถขับขีรถยนต์บนถนนได้ บางประเทศกำหนดให้ไฟท้าย และป้ายทะเบียนรถ ต้องมองเห็นได้จากมุมเงย 15 องศา โปรดแน่ใจว่ารถยนต์ของคุณ สอดคล้องกับระเบียบข้อบังคับนี้หากบังคับใช้ในประเทศที่คุณกำลังเดินทาง หากไม่สอดคล้อง ให้เลื่อนชั้นวางจักรยานขึ้นหนึ่งรู

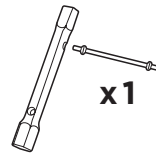
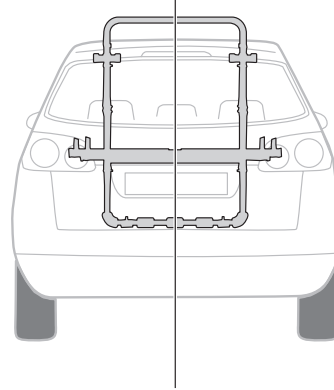
8



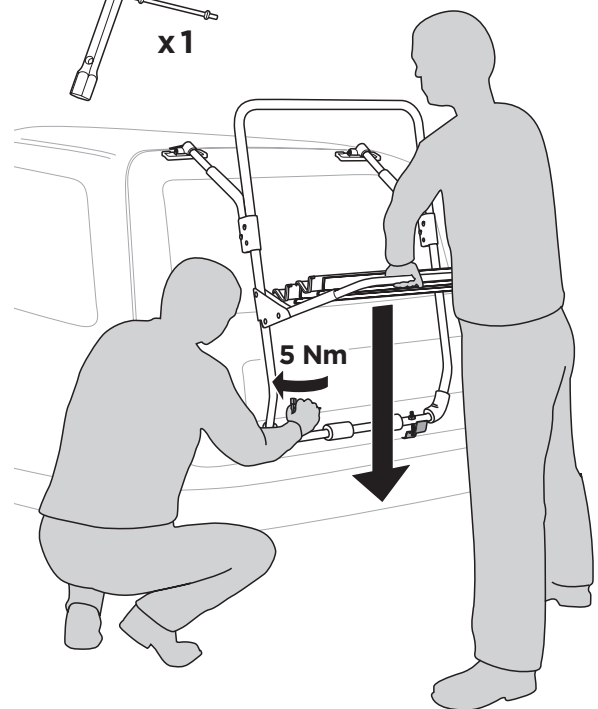
x2



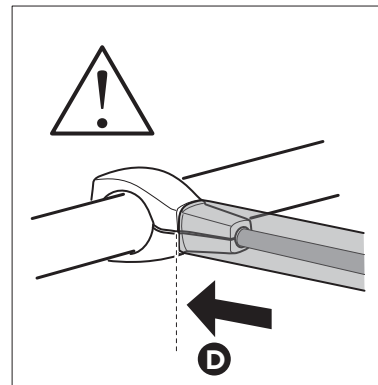
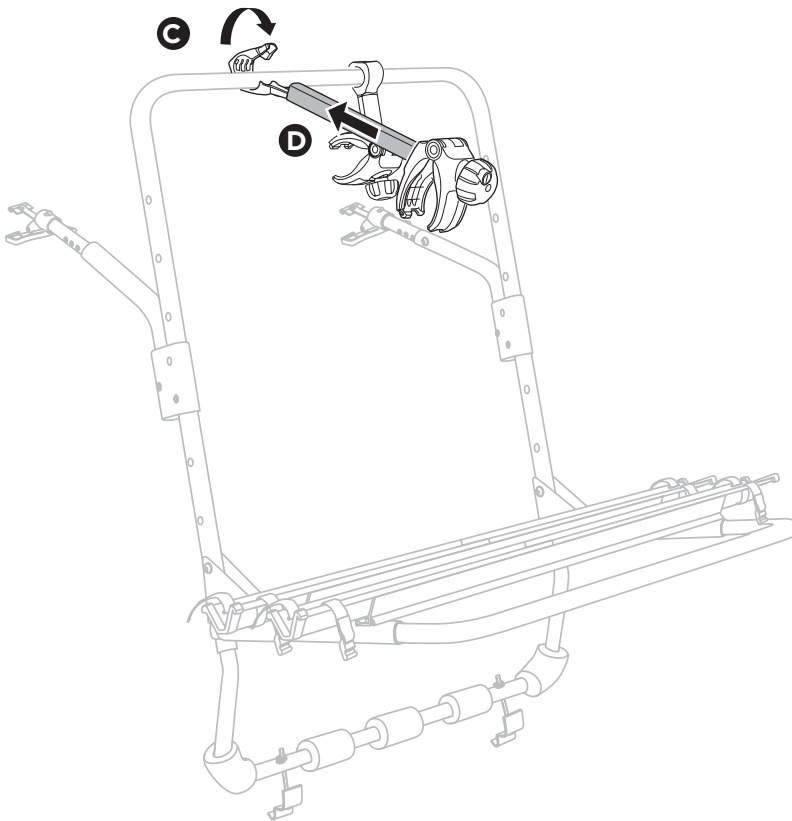
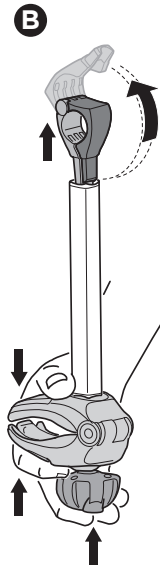
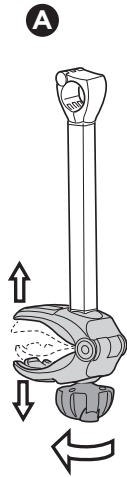
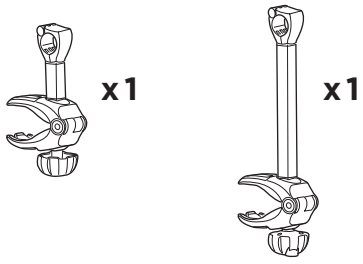
CC

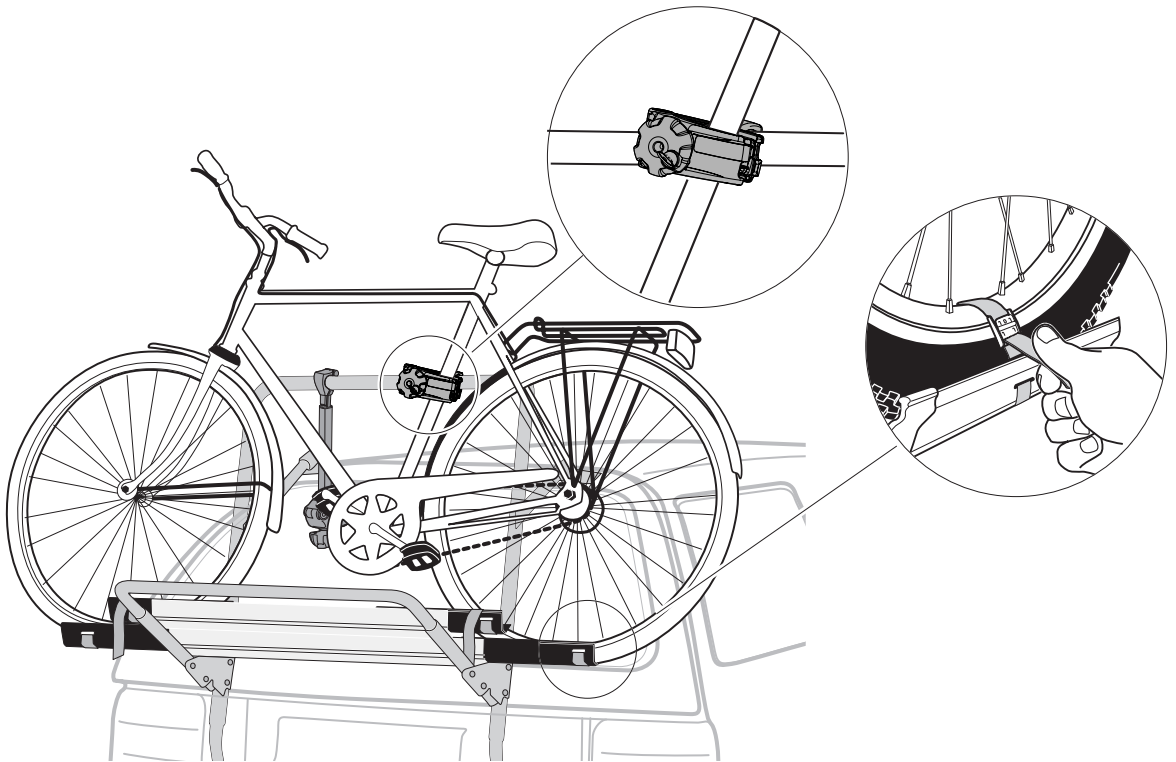
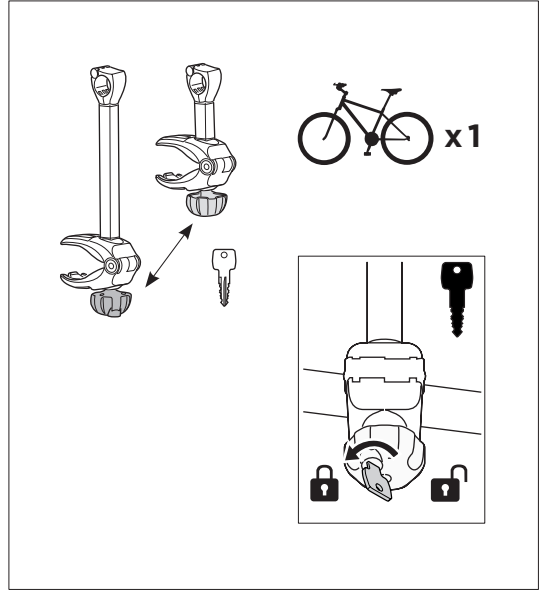
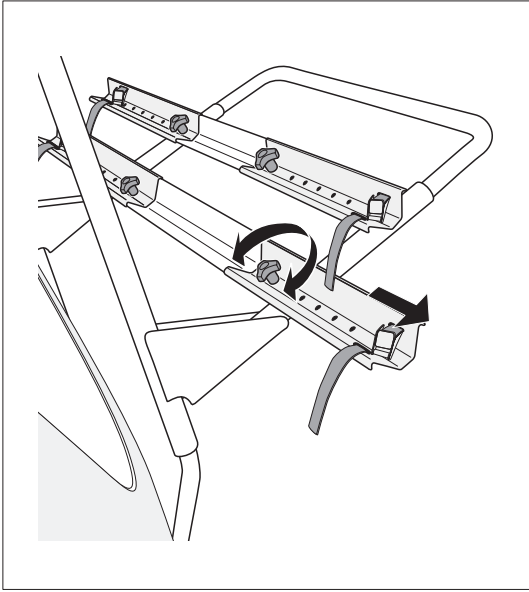


x1

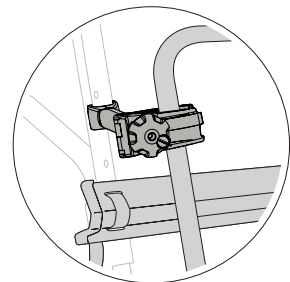
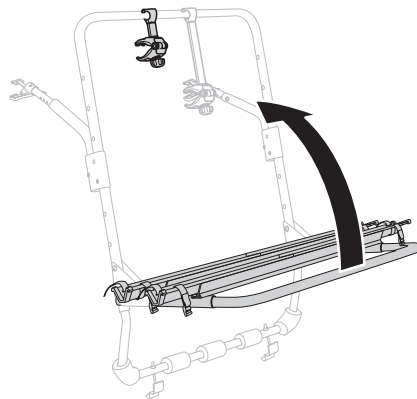
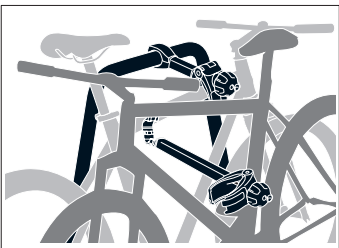


9





i





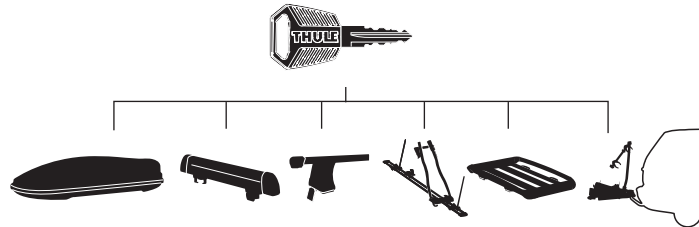
EN Accessories
 DE Zubehör
 FR Accessoires
 NL Accessoires
 IT Accessori
 ES Accesorios
 PT Acessórios
 SV Tillbehör

DK Tilbehør
 NO Tilbehør
 FI Lisävarusteet
 ET Lisavarustus
 LV Piederumi
 LT Priedai
 PL Akcesoria
 RU Аксессуары

UK Аксесуари
 BG Принадлежности
 CS Doplnky
 SK Príslušenstvo
 SL Dodatki
 HR/BiH Dodaci
 RO Accesorii
 HU Tartozékok

EL Εξαρτήματα
 TR Aksesuarlar
 AR الملحقات
 HE אביזרים
 ZH 附件
 JA アクセサリー
 KO 액세서리
 TH อุปกรณ์เสริม

Thule One-Key System



450400 (x4)

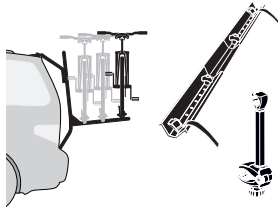
450600 (x6)

450800 (x8)

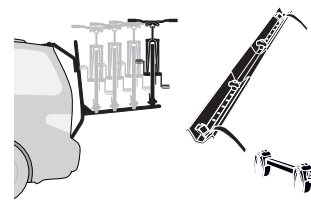
451200 (x12)

451600 (x16)

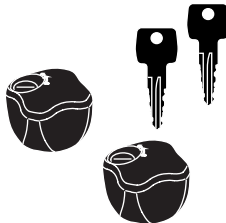
Thule Backpac 3rd Bike Adapter 973-23



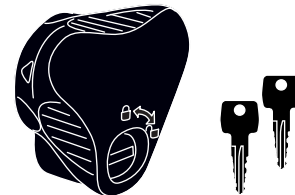
Thule Backpac 4th Bike Adapter 973-24



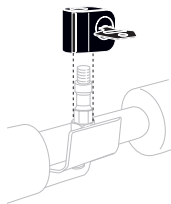
Thule Lockable Knob 526



Thule AcuTight Knob 528



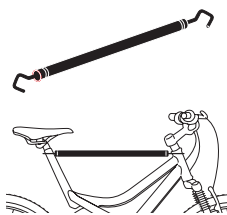
Thule Lock 567



Thule Cable Lock 538



Thule Bike Frame Adapter 982



Thule Wall Hanger 9771

