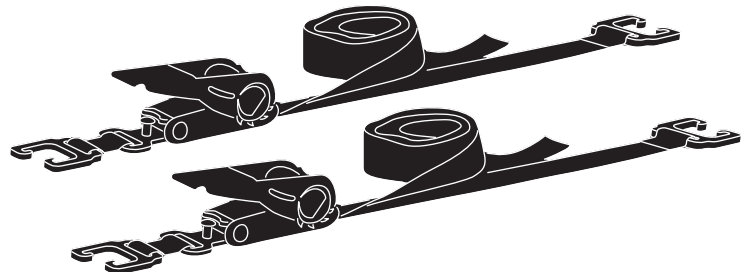
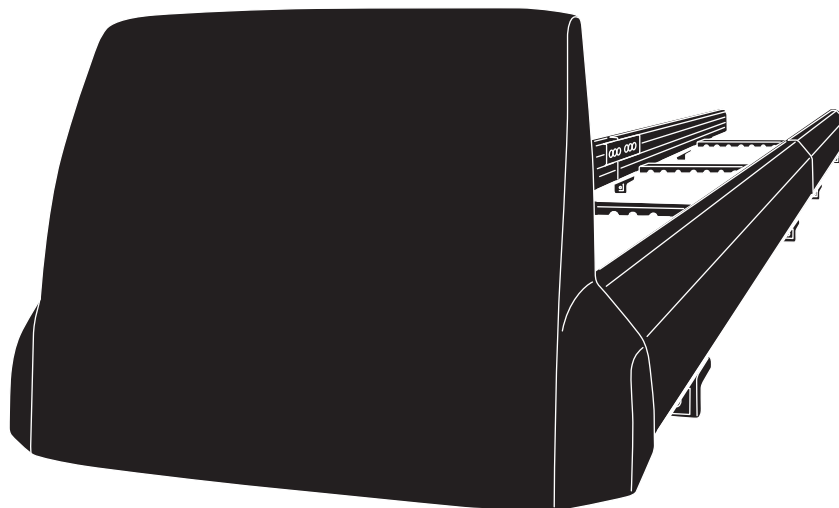
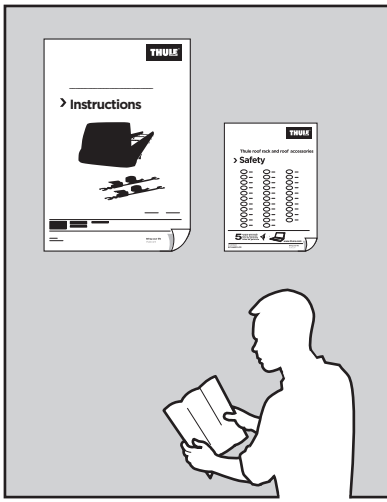


Thule Front Load Stop 321, 322

➤ Instructions





321

20x20
x2

12x12
x2

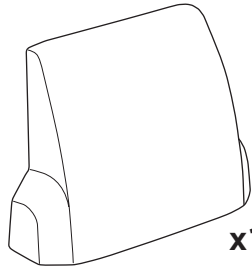
x2

x14

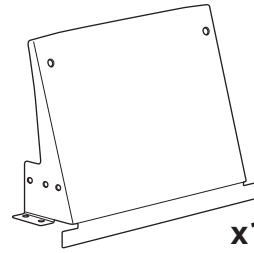
x2

x4

x2



x1



x1



x1



x1

322

20x20
x8

x4

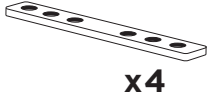
x4

x36

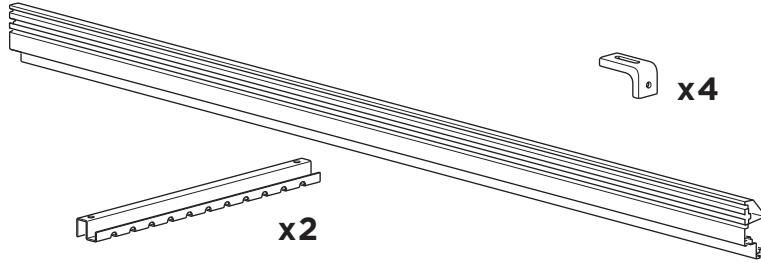
x4



5 mm



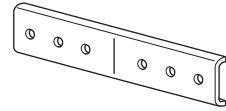
x4



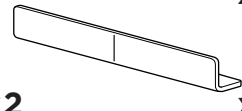
x2



x4



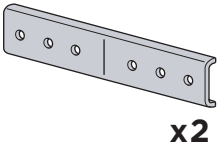
x2



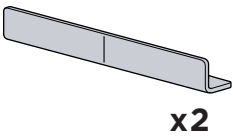
x2

x2

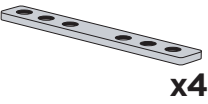
1



x2



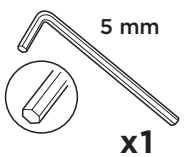
x2



x4

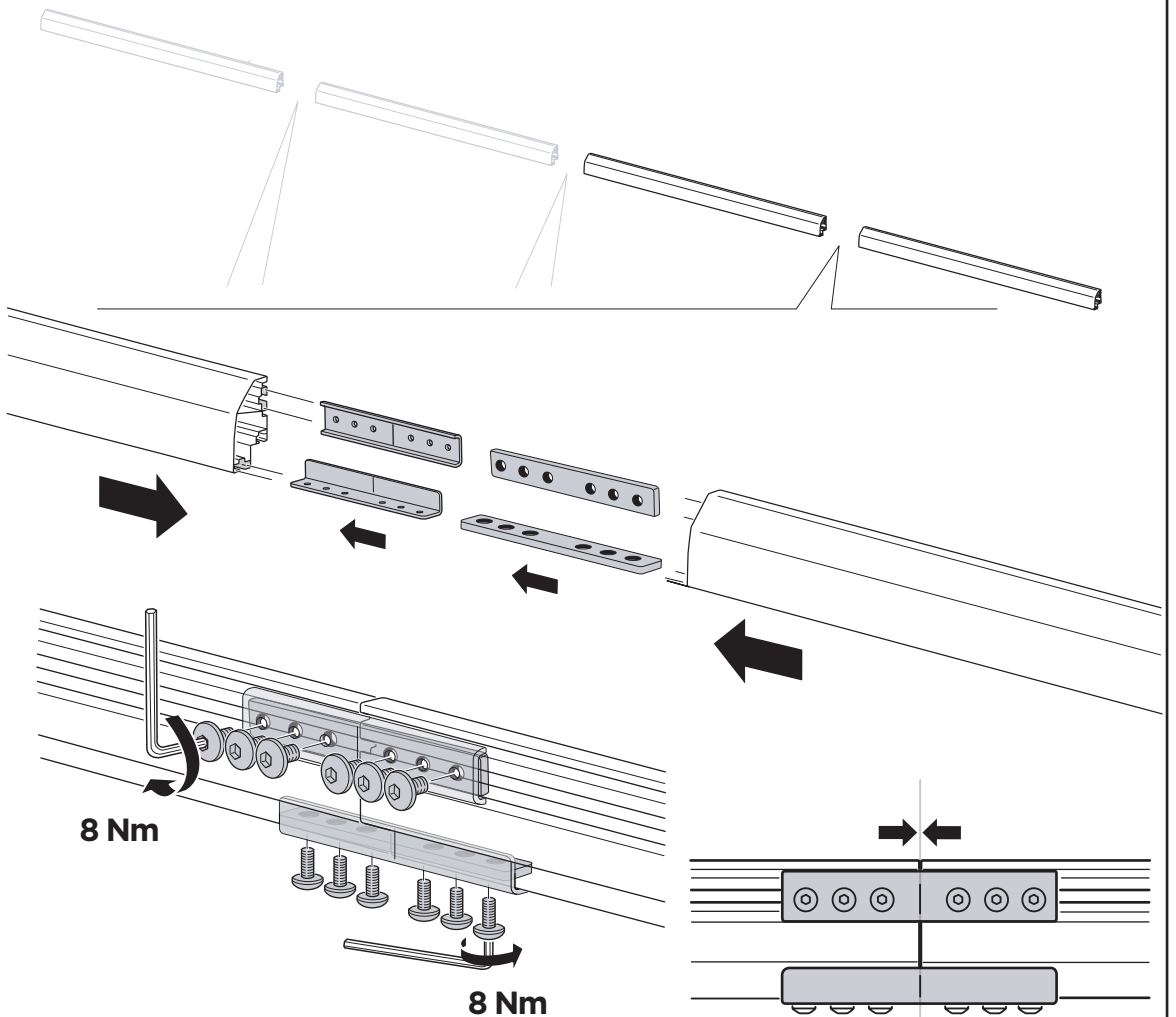


x24



5 mm

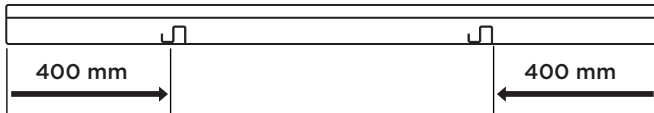
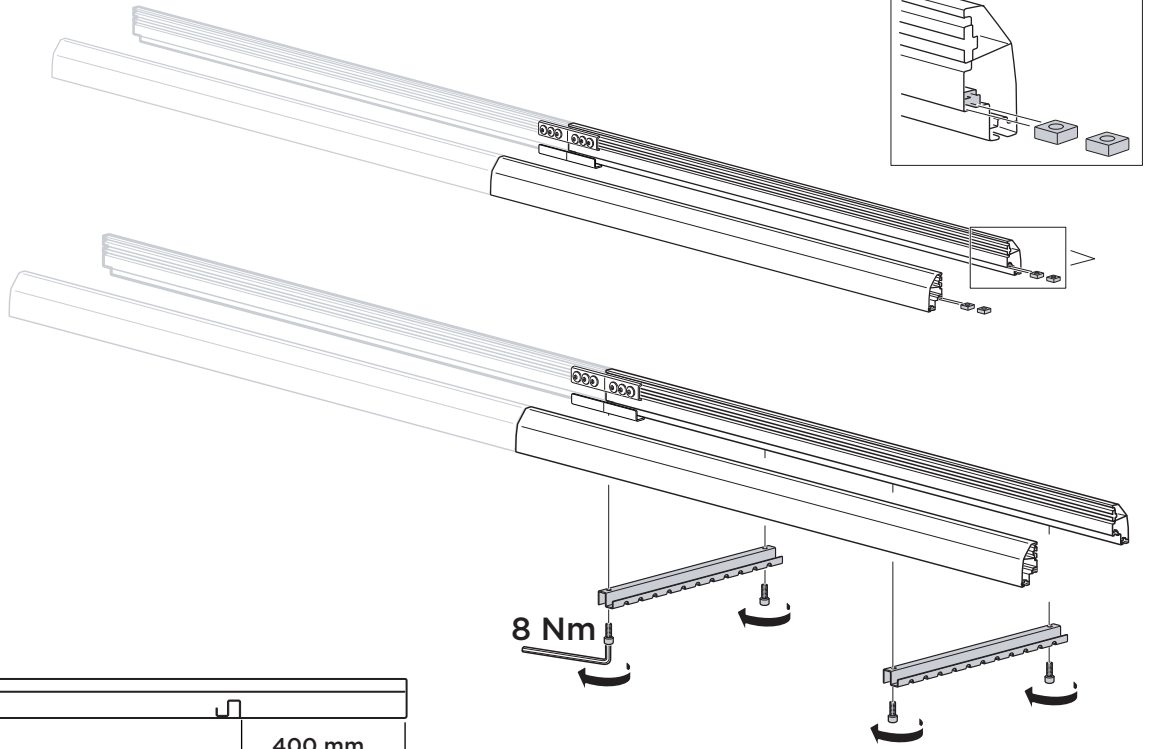
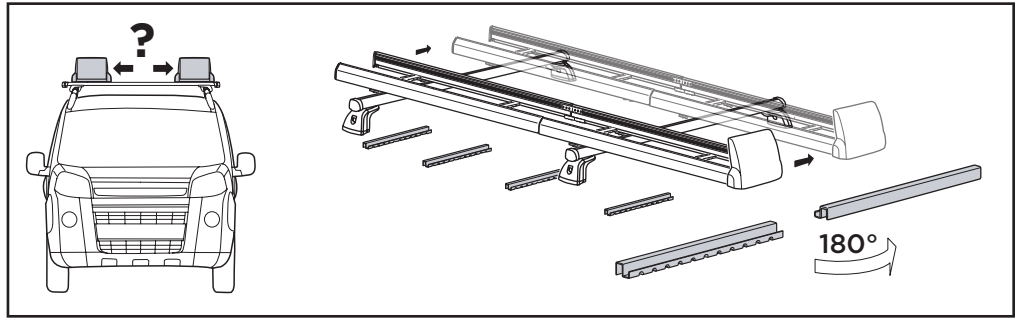
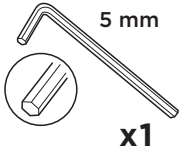
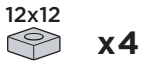
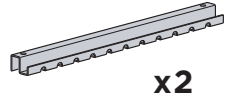
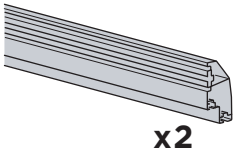
x1



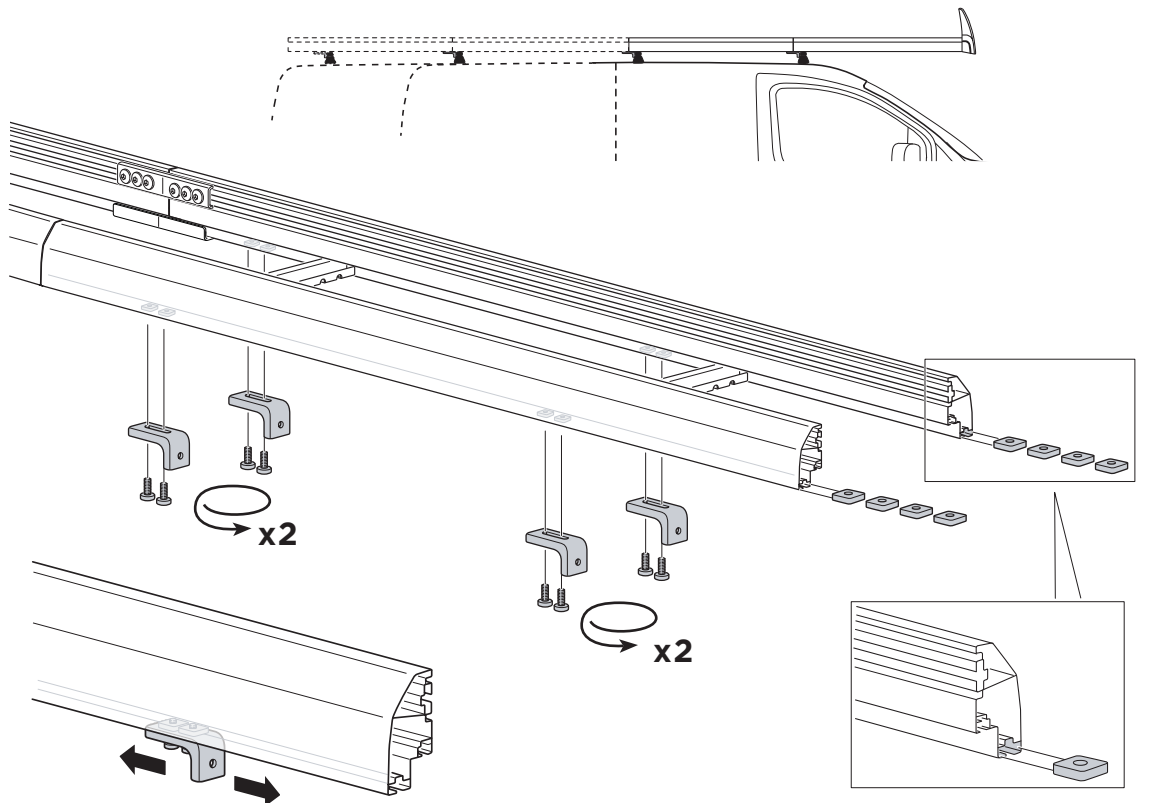
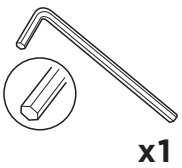
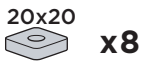
8 Nm

8 Nm

2

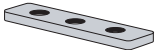



3

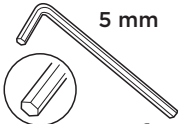


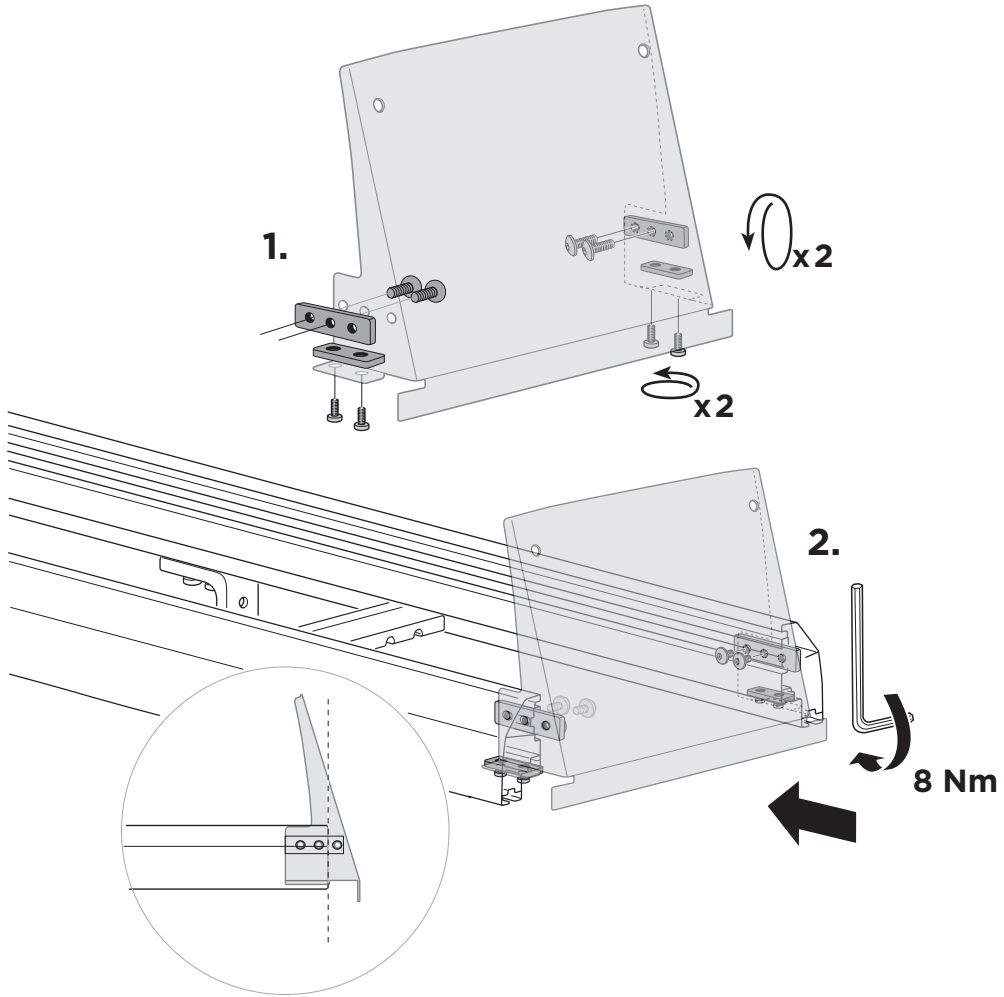
4

 x10

 x4

 x4

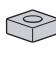
 5 mm
x1

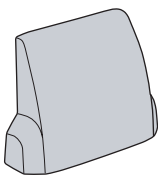


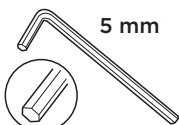
5

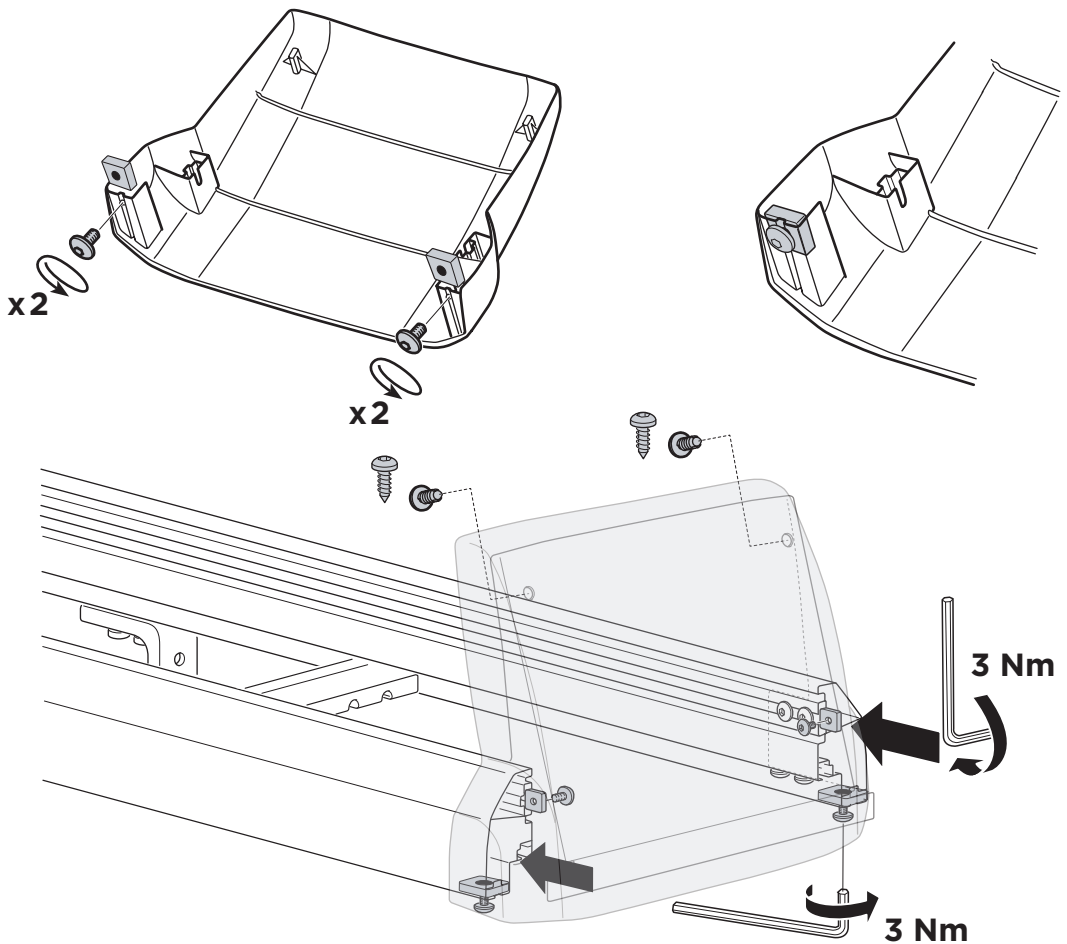
 x2

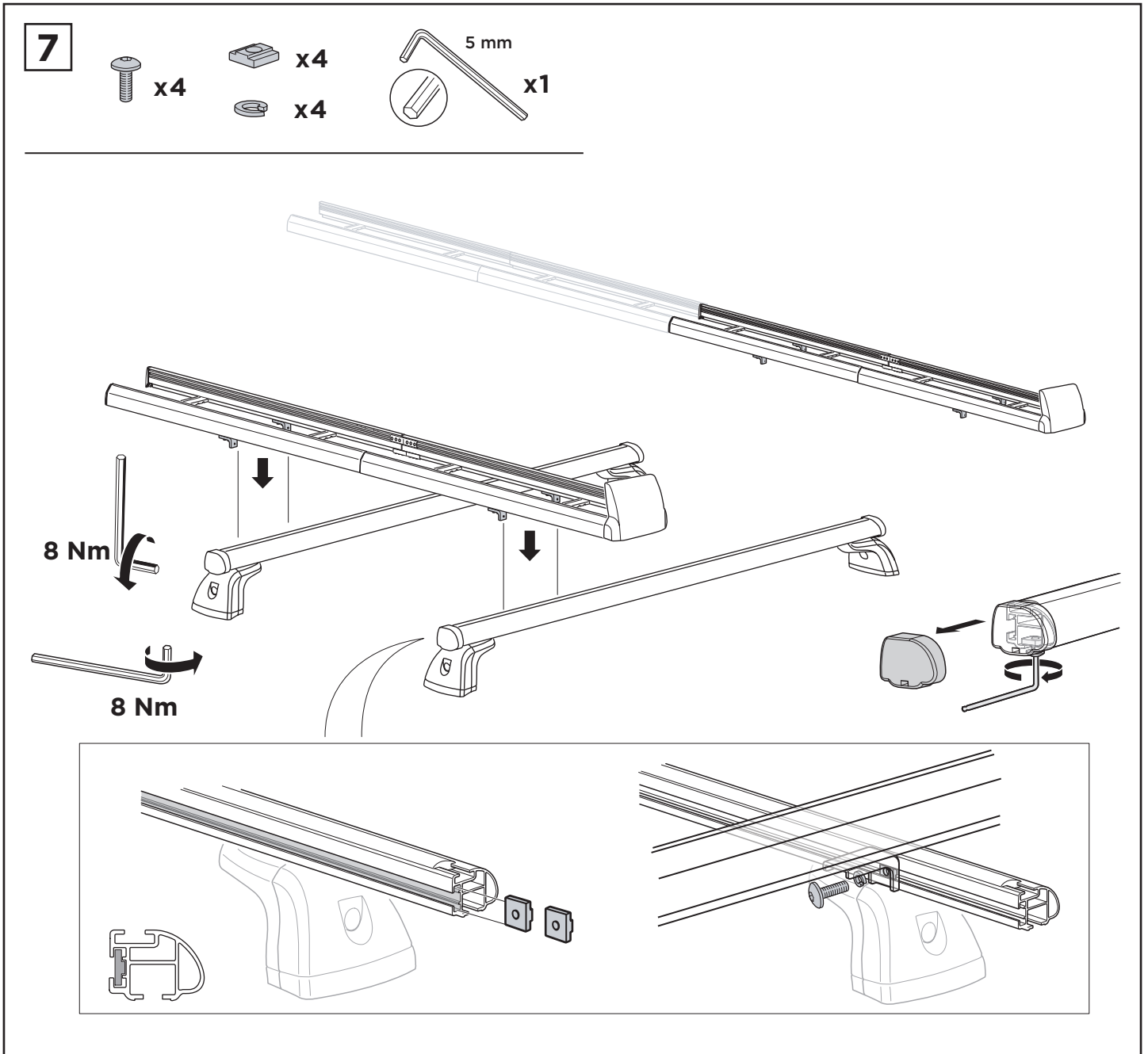
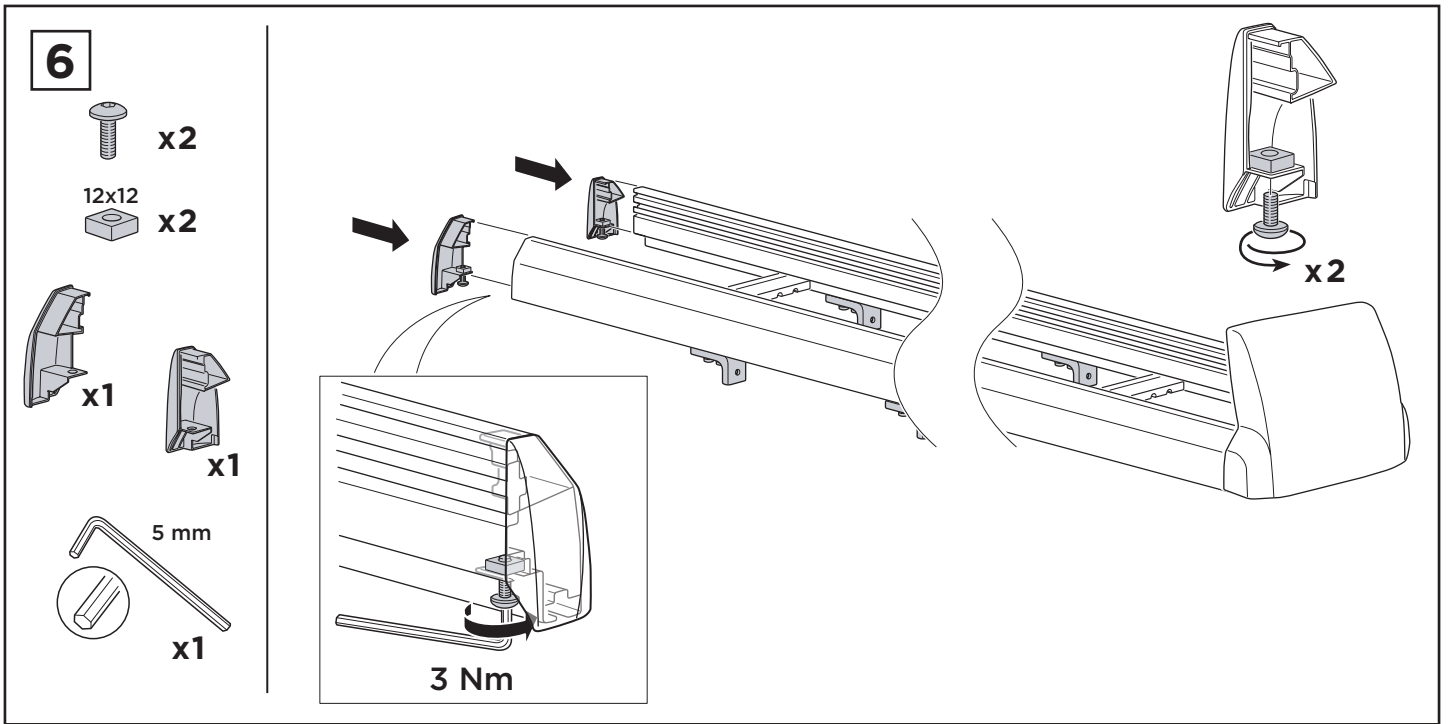
 x4

 x2

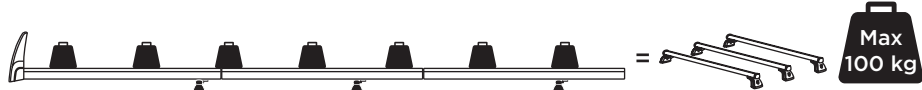
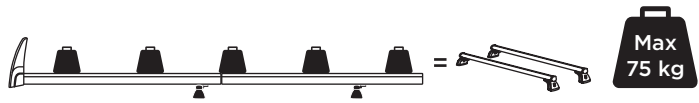
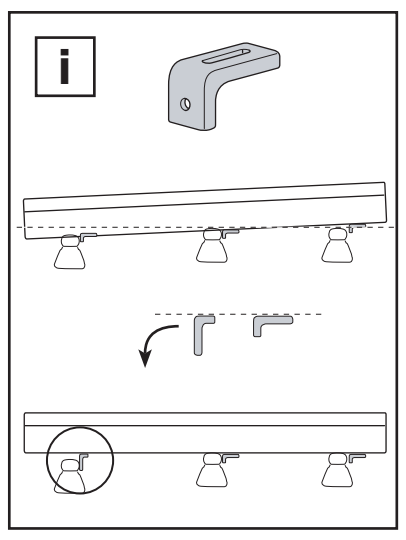
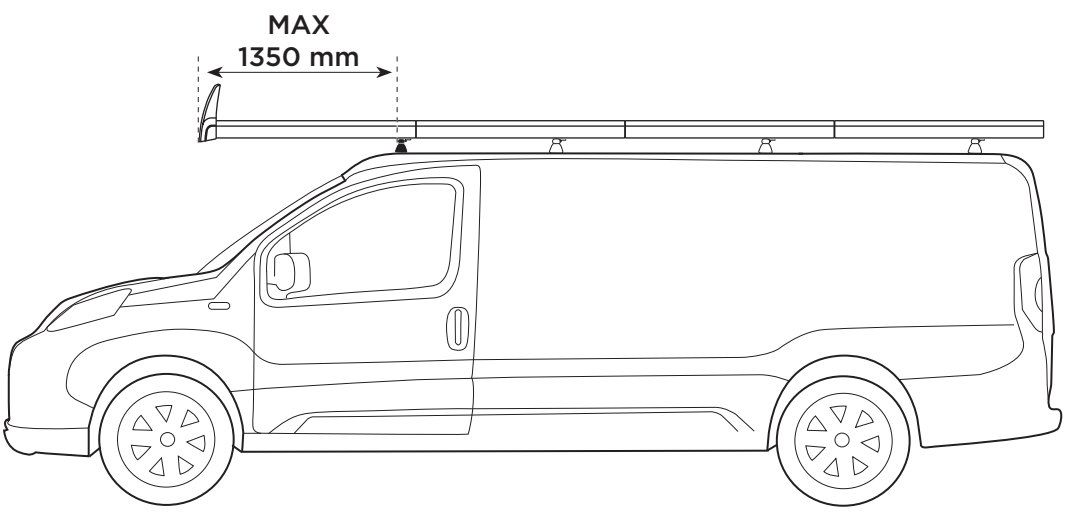
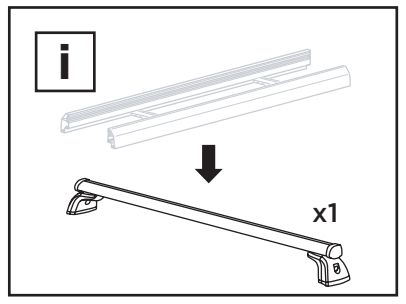
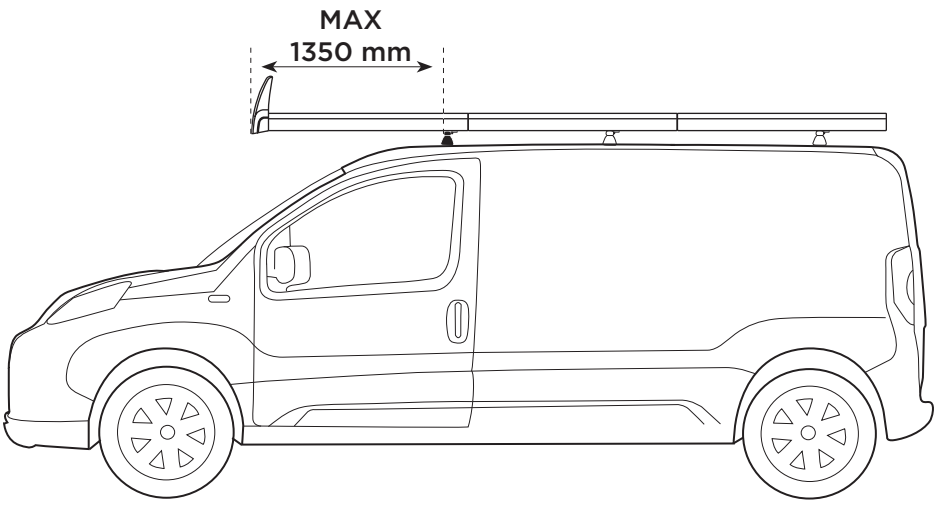
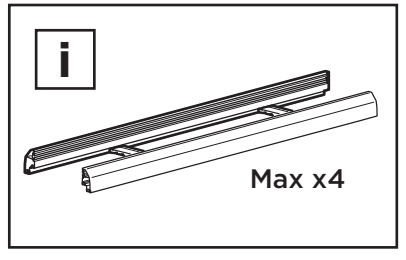
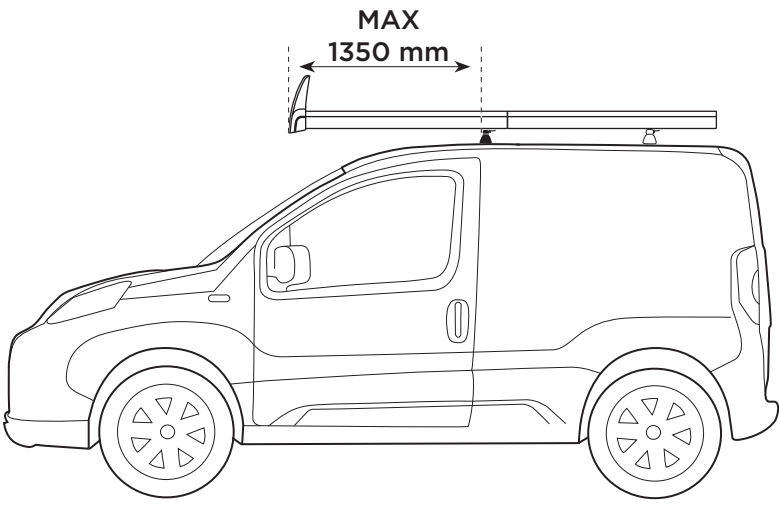
 x1

 5 mm
x1

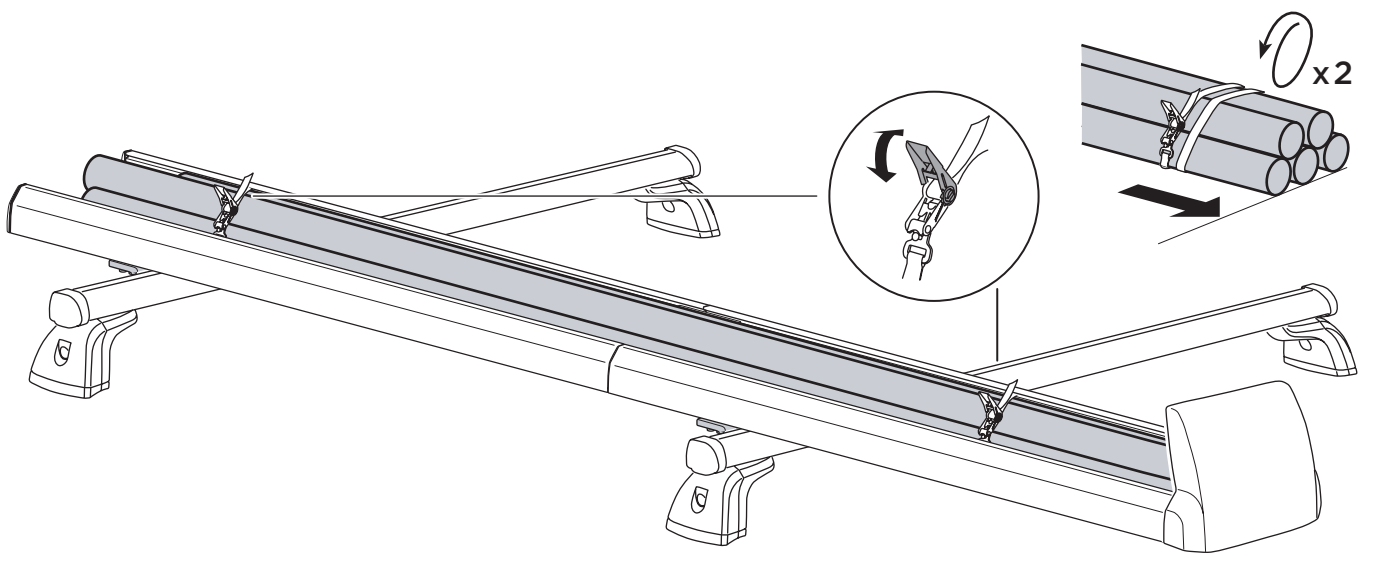
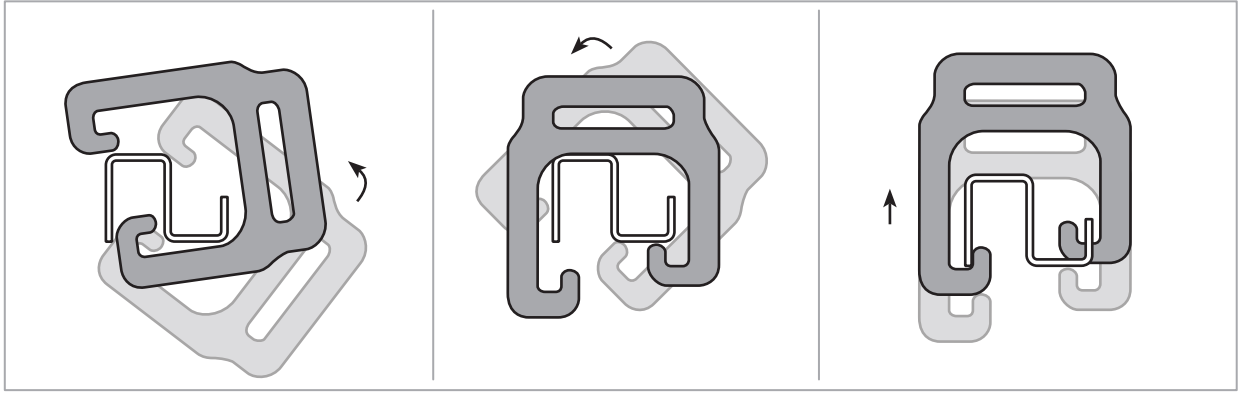
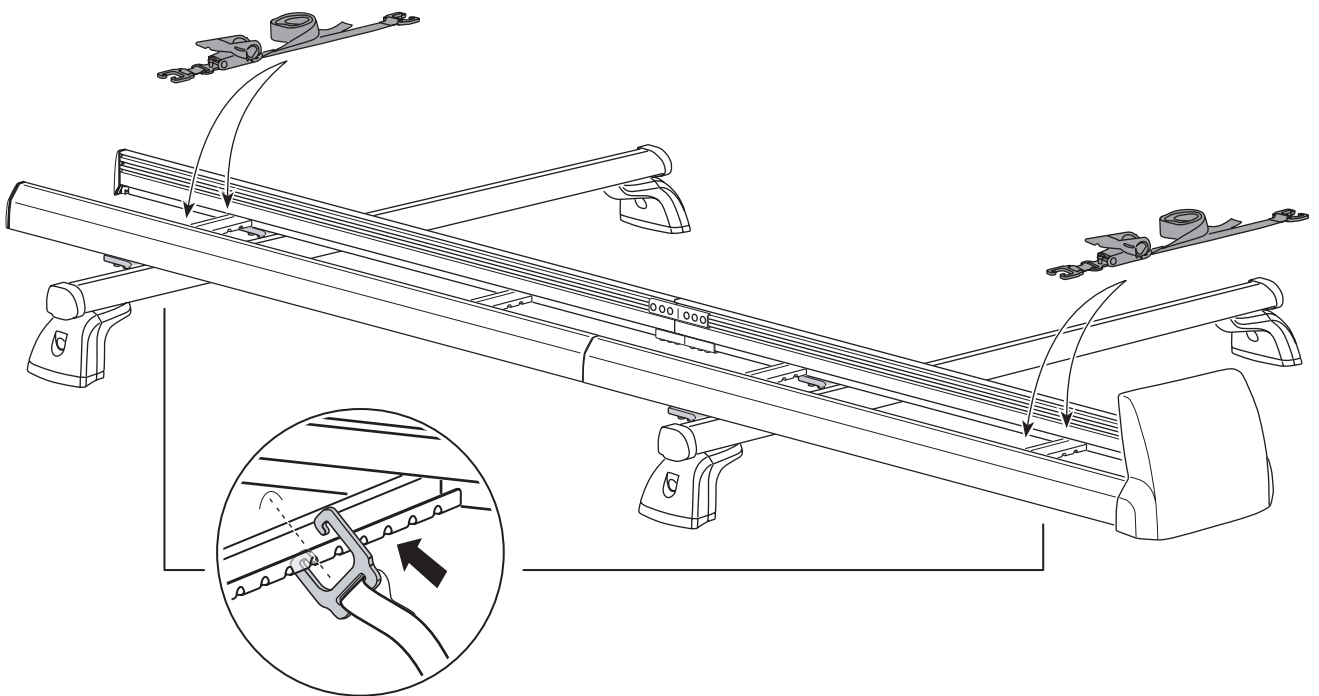
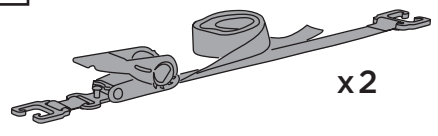




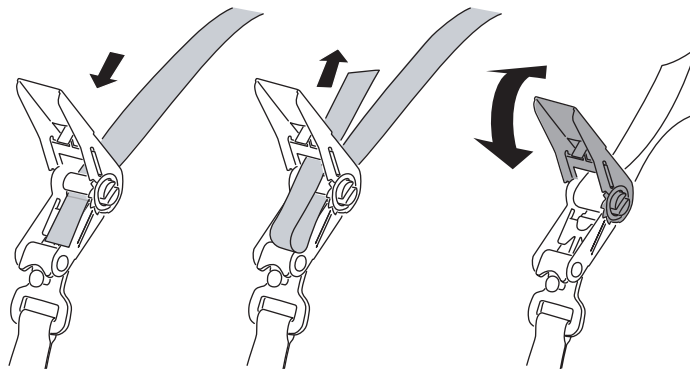
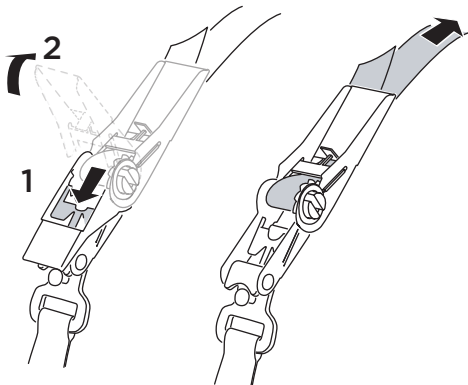
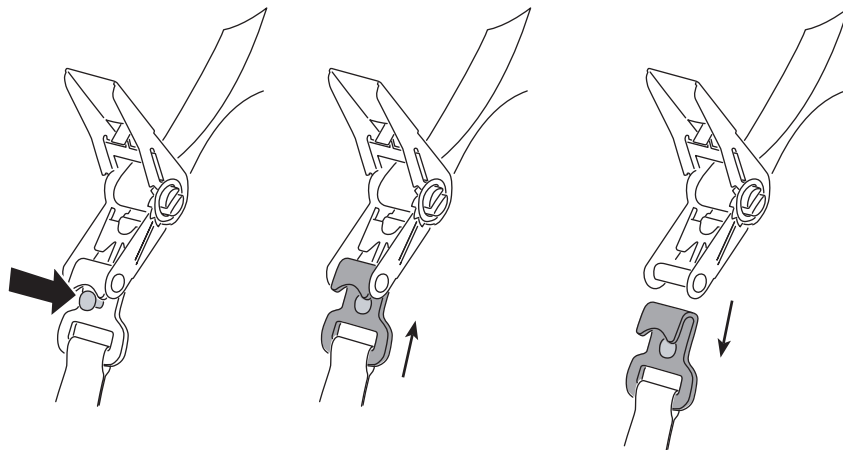
8



9

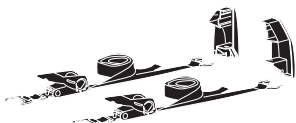


i



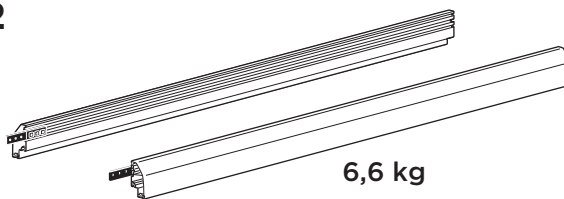
i

321



2,7 kg

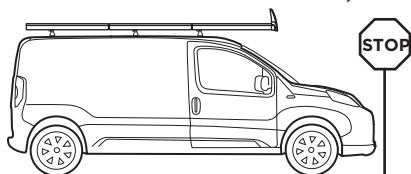
322



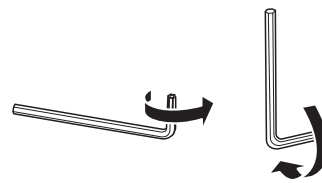
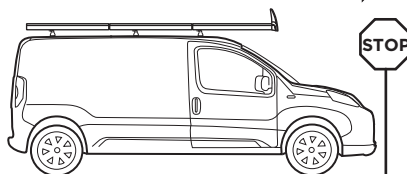
6,6 kg

i

5000 km →



5000 km →



336000

