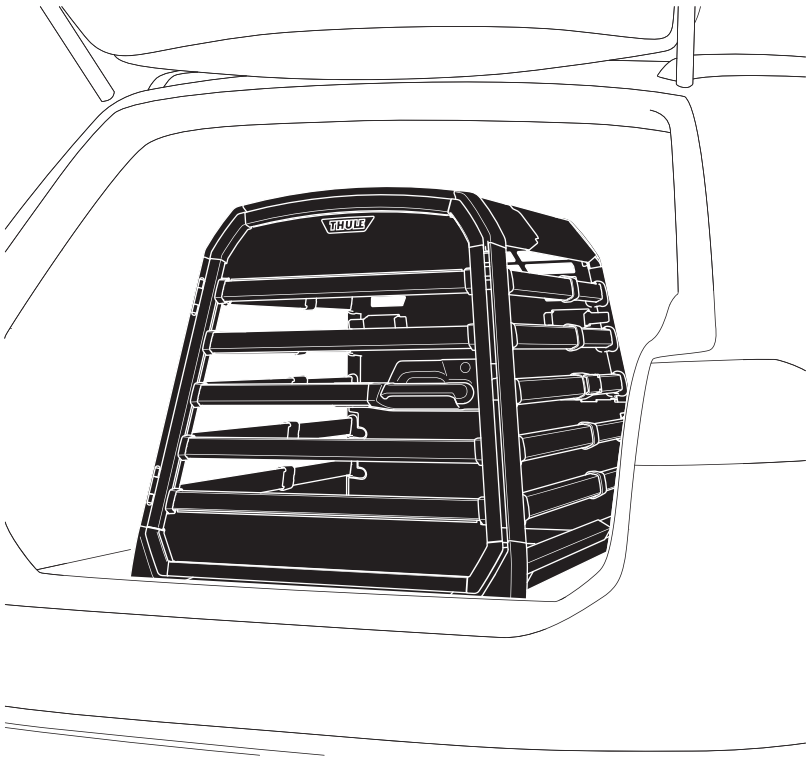


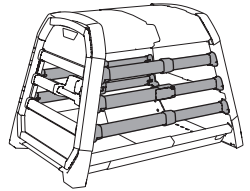
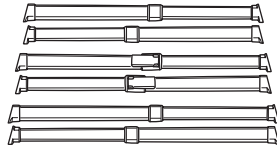
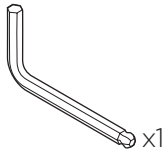
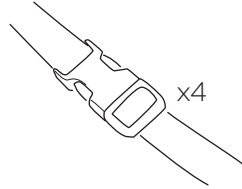
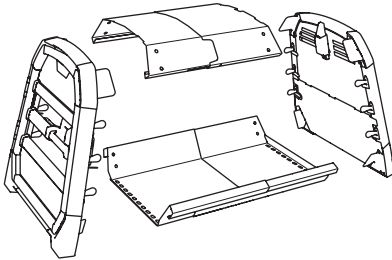
➤ Instructions

Thule Allax

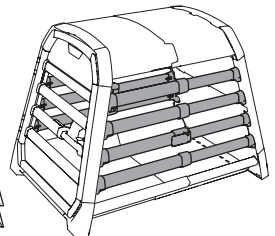
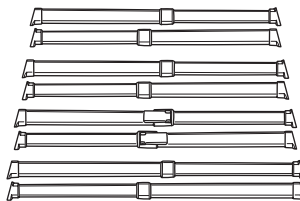
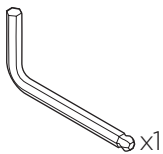
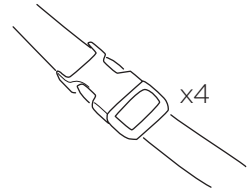
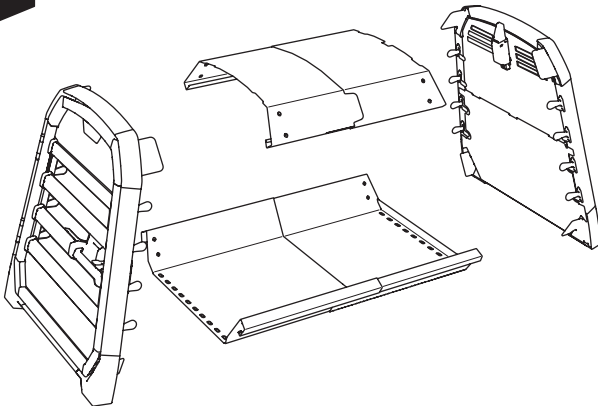




XS

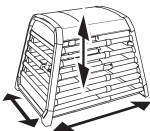
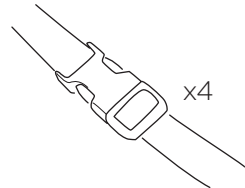
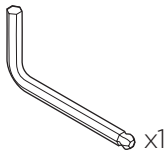
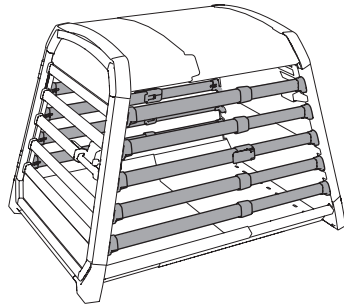
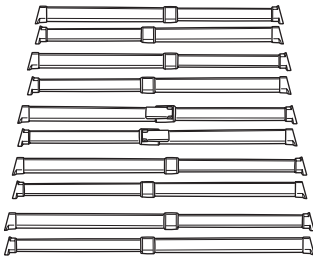
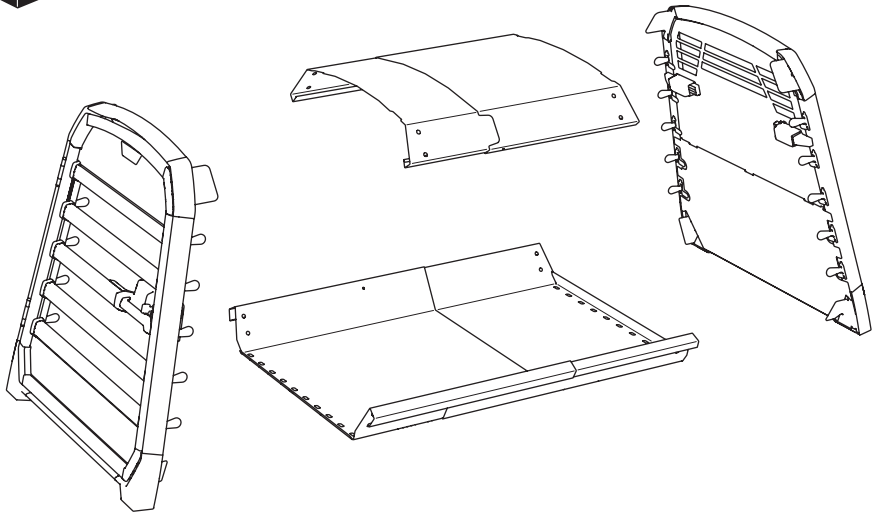


S





M — L — XL



p. 4



p. 5-10



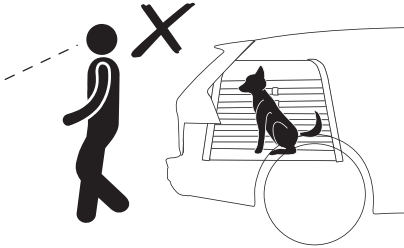
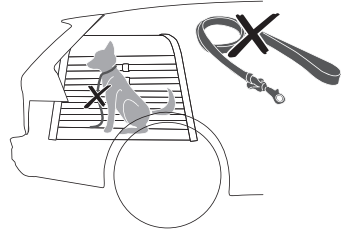
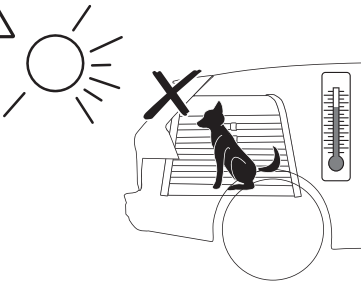
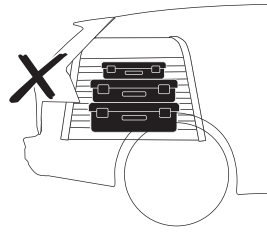
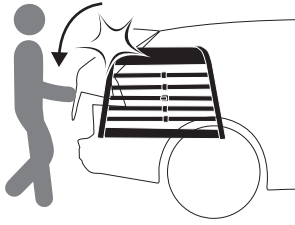
p. 11-24



p. 25



XS 770000	50 cm 19.7 "	50 cm 19.7 "	66 - 72 cm 26 - 28.3 "	14,6 kg 33.2 lbs	25 kg 55 lbs
S 770001	58 cm 22.8 "	55 cm 21.7 "	72 - 80 cm 28.3 - 31,5 "	17,5 kg 38.6 lbs	30 kg 66 lbs
M Compact 770009	65 cm 25.6 "	65 cm 25.6 "	77 - 82 cm 30.3 - 32.3 "	20,7 kg 45.6 lbs	35 kg 77 lbs
M 770002	65 cm 25.6 "	65 cm 25.6 "	82 - 90 cm 32.3 - 35.4 "	22 kg 48.5 lbs	35 kg 77 lbs
L Compact 770003	69 cm 27.2 "	70 cm 27.6 "	87 - 93 cm 34.3 - 36.6 "	23,5 kg 51.8 lbs	45 kg 100 lbs
L 770004	69 cm 27.2 "	70 cm 27.6 "	93 - 105 cm 36.6 - 41.3 "	25,7 kg 56.7 lbs	45 kg 100 lbs
XL Compact 770005	73 cm 28.7 "	70 cm 27.6 "	89 - 94 cm 35 - 37 "	24,6 kg 54.2 lbs	45 kg 100 lbs
XL 770006	73 cm 28.7 "	70 cm 27.6 "	94 - 105 cm 37 - 41.3 "	25,8 kg 56.9 lbs	45 kg 100 lbs



WARNING

Congratulations

And thank you for choosing Thule Allax! You can rest assured that we have put all our efforts, knowledge and passion into designing the most safe, reliable and easy to use dog crate for cars, we could think of.

Before you begin, please read the following instructions carefully and keep them for future reference.

Check with the assembly instructions that all the necessary parts are present before you begin assembly.

See www.thule.com for car compatibility.

Visual language



WARNING indicates a hazardous situation which, if not avoided, could result in death or serious injury.



NOTE indicates additional information that is useful for trouble-free and optimal use of the product.



Visual check ok



Visual check wrong



Audible click

Maintenance

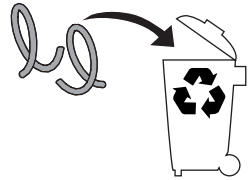
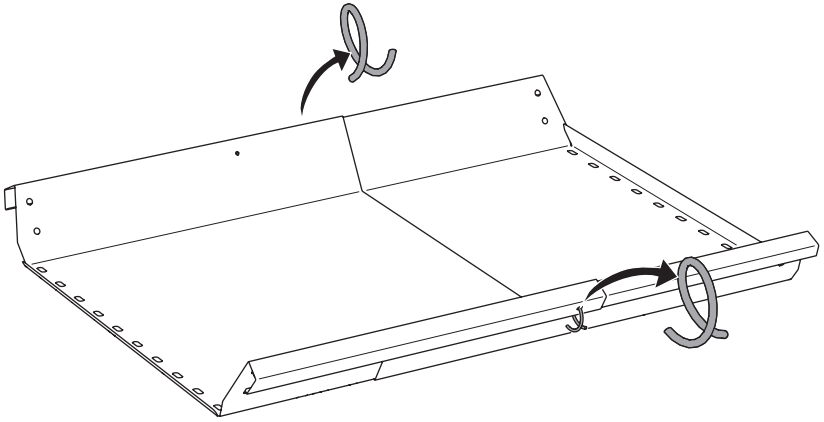
Use only lukewarm soapy water to clean the product.

Other

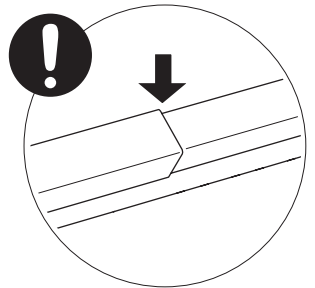
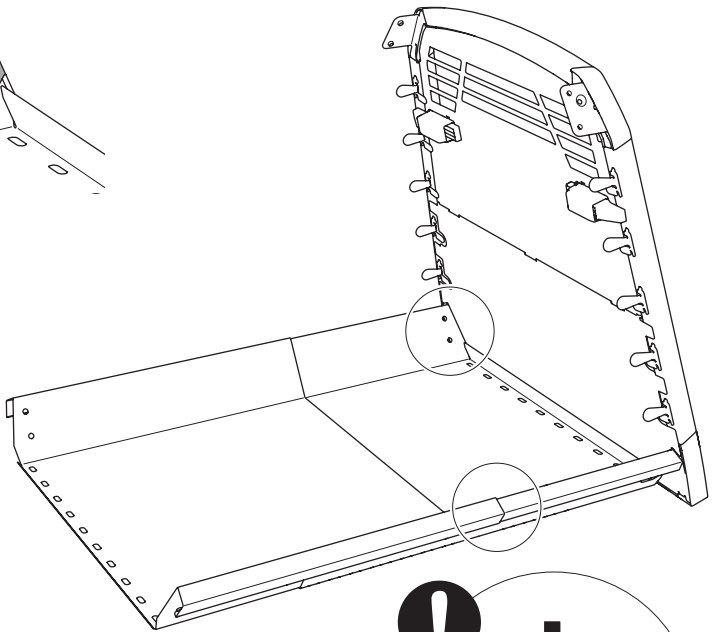
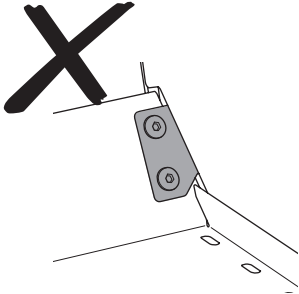
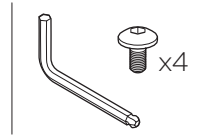
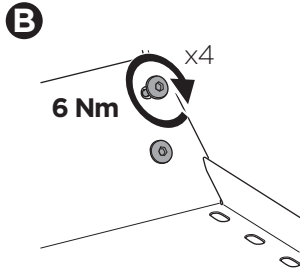
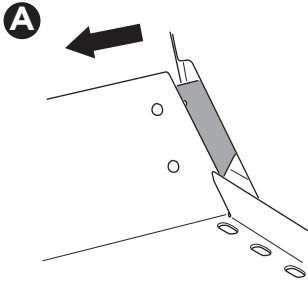
The manufacturer can not be held responsible for personal damages of property or loss of fortune caused by incorrect mounting or use of the product.

- Do not modify the product in any way.
- Do not use the product if any part of it is broken.
- Check and replace worn-out or defective parts.
- Only use accessories that are compatible with the product. See thule.com.
- Check conflict between trunk lid window and crate before closing the trunk lid.
- The restraint system must be used only to restrain Thule Allax in the trunk of the car. Do not use the restraint system to mount Thule Allax in the front passenger seat, back passenger seat, or anywhere else.
- The restraint system must be used only to secure Thule Allax. Do not use the restraint system to secure any other objects.
- When the product is removed from the vehicle, all loose parts should be stored safely.
- Check that the dog transport is attached to the vehicle's cargo loops
- Tighten straps before each trip.
- The crate is only intended to carry a dog. Not tools, groceries etc...
- Don't have a leash attached while the dog is inside the crate.
- Always check the surface temperature of the product before use.
- Make sure to always have air circulation to the crate
- Do not place any loose objects inside the crate.
- Do not exceed the maximum load specified in the assembly instructions.
- Lock the product (door) when driving.
- The vehicle's speed must always be adjusted to the load being carried and the current driving conditions, such as the road type, road quality, wind conditions, traffic intensity and applicable speed limits. Applicable speed limits and other traffic regulations must always be observed.
- Drive slowly over speed bumps, maximum speed 10 km/h
- Consider laws and regulations in the country you intend to use the product.

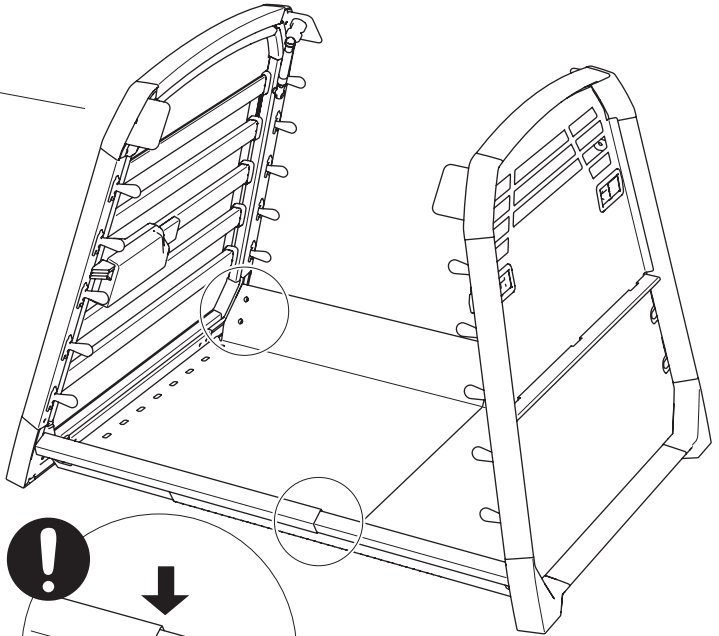
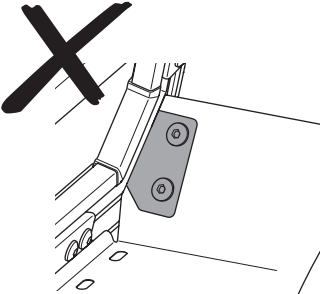
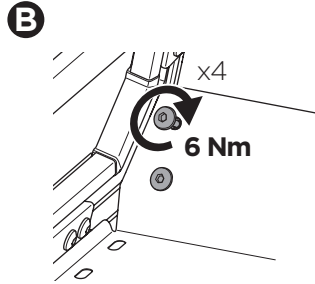
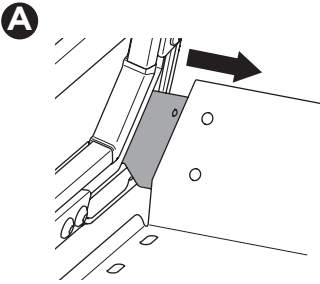
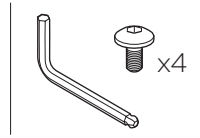
1



2

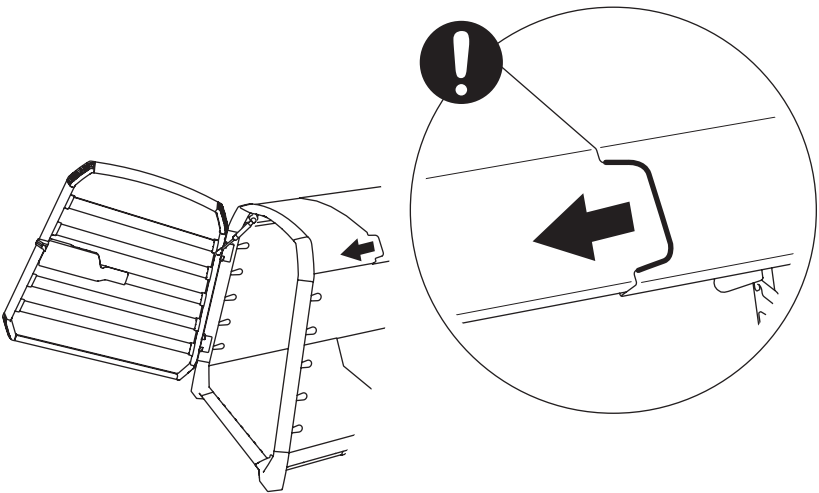
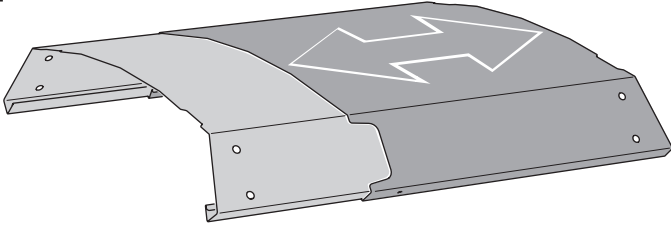


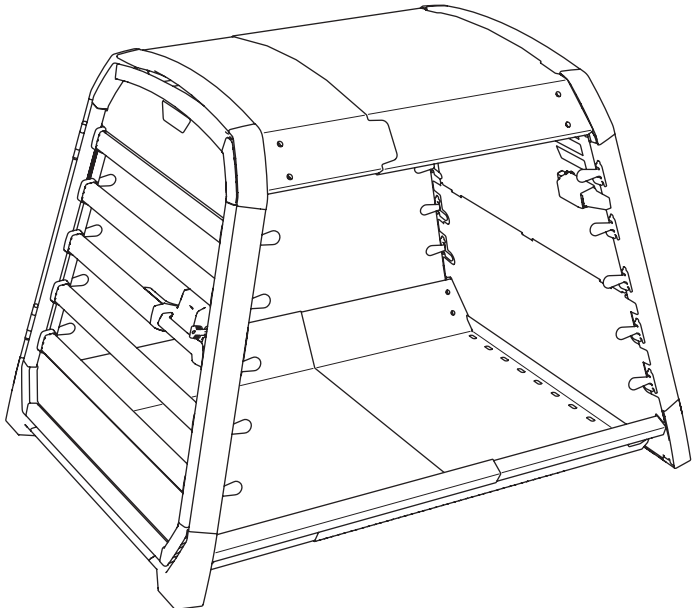
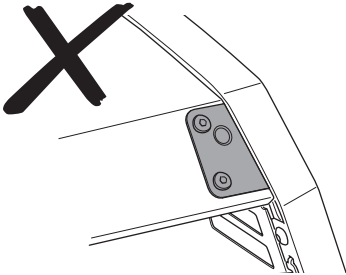
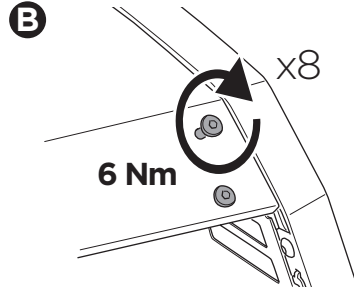
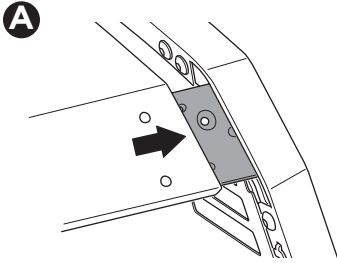
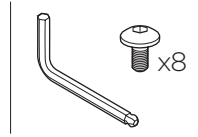
3



4

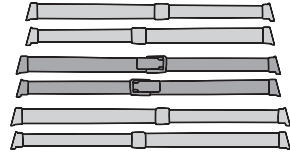
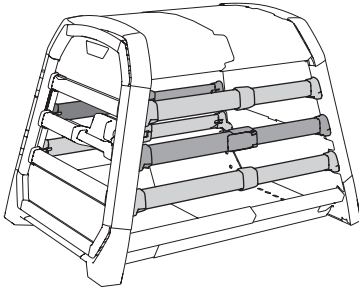
i



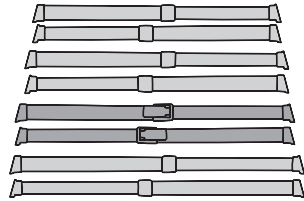
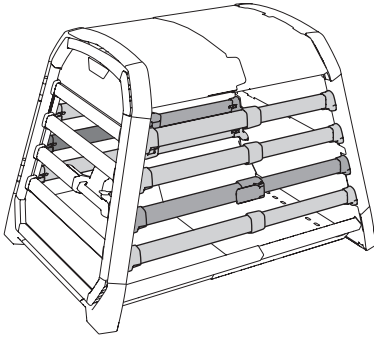


i

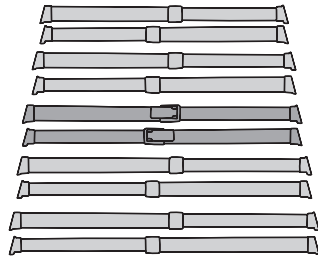
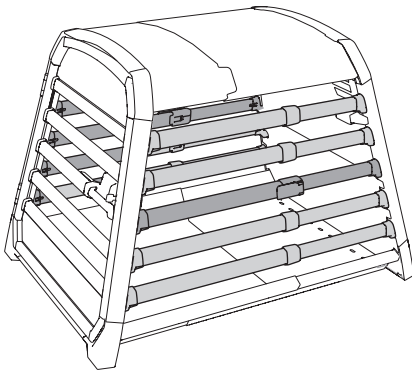
XS



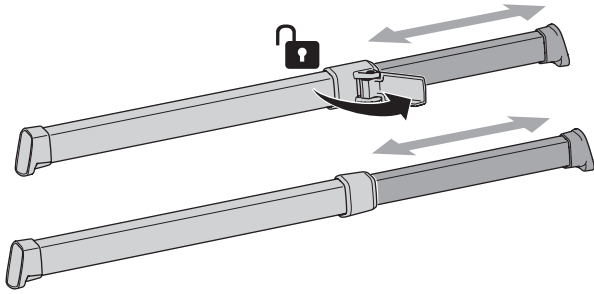
S



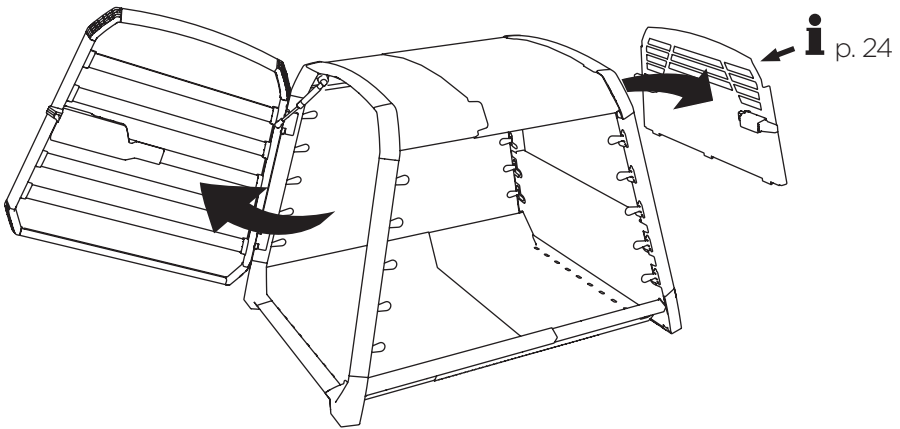
M — L — XL



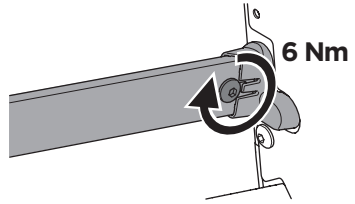
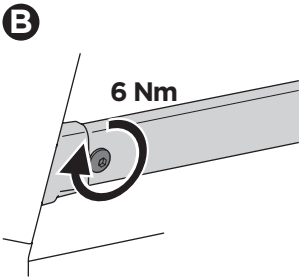
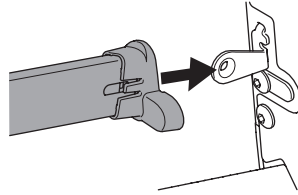
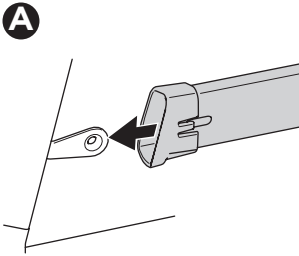
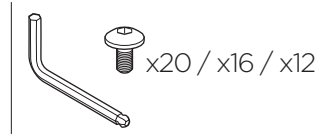
i



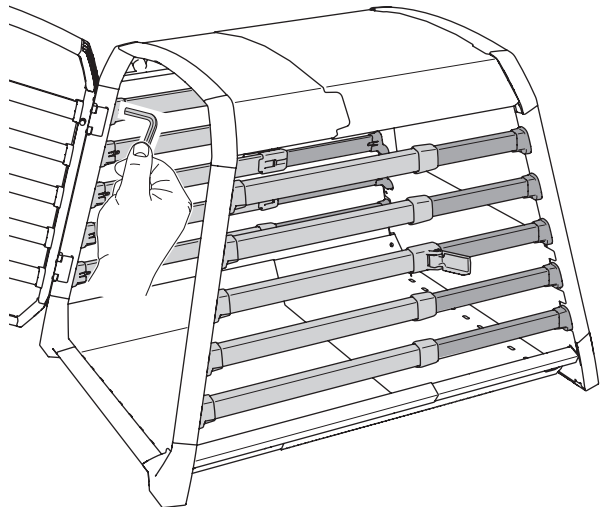
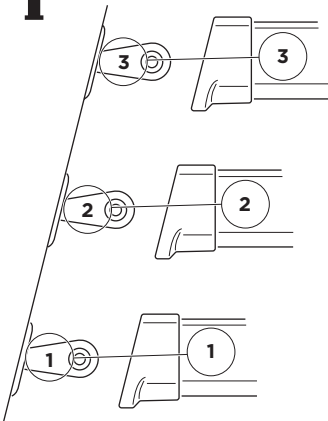
5



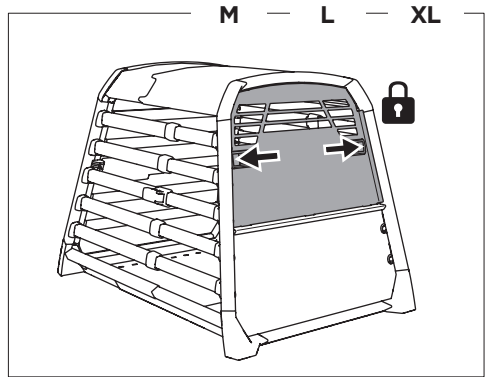
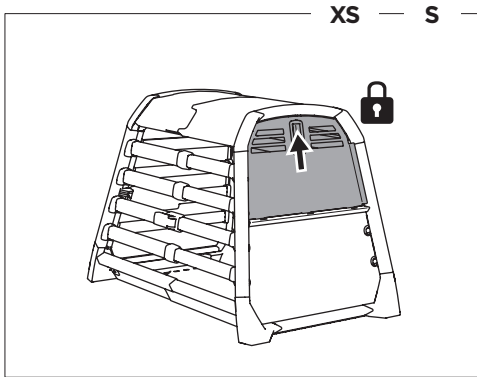
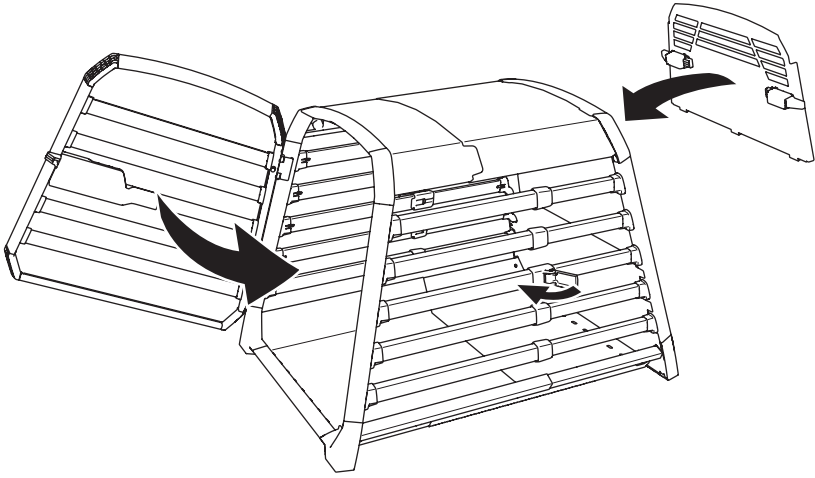
6

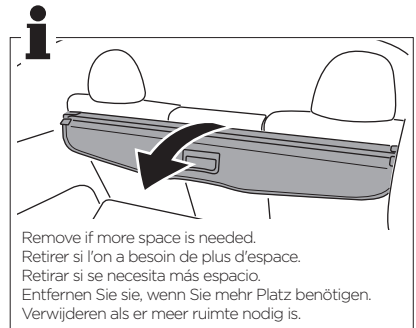
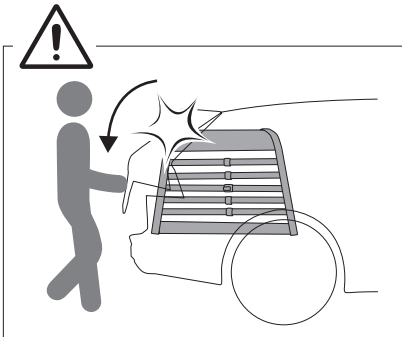
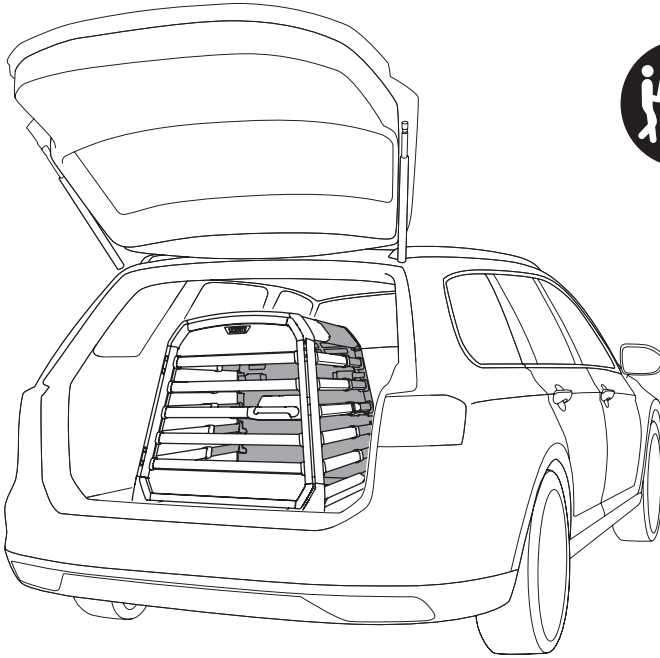


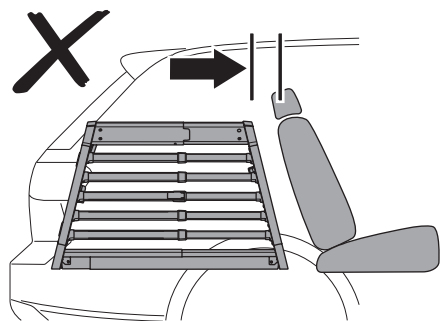
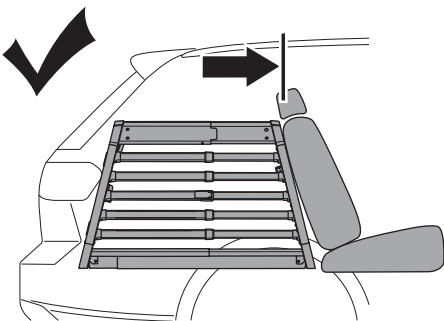
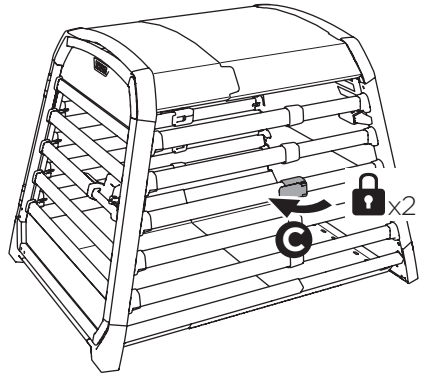
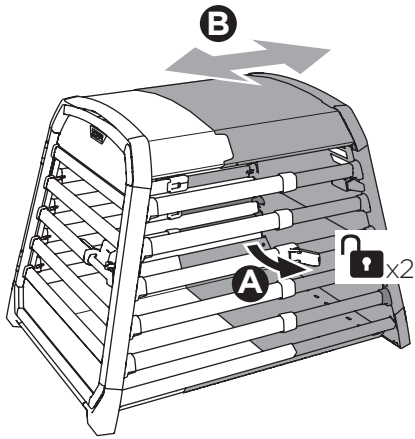
i



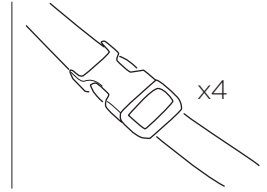
7



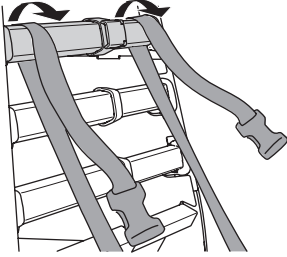




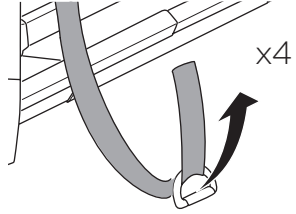
9



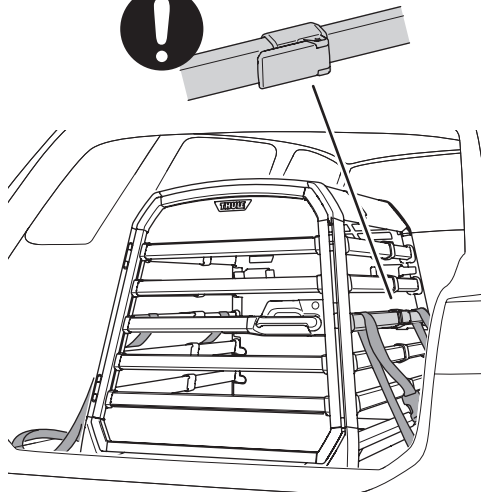
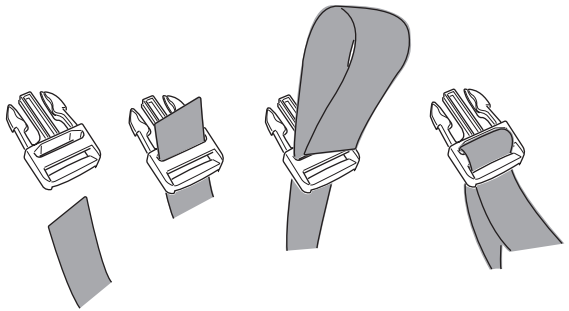
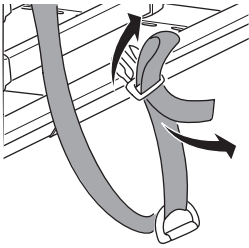
A

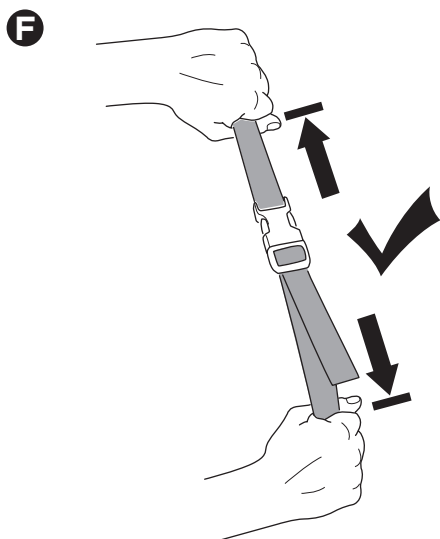
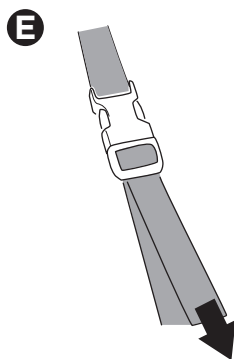
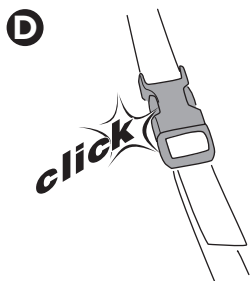


B

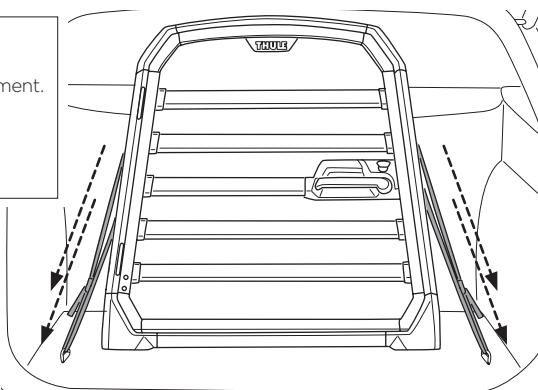


C



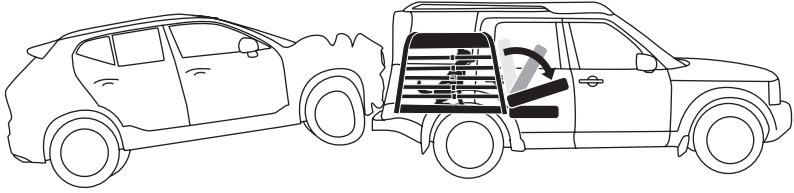


Tighten straps before each trip.
Serrez les lanières avant chaque déplacement.
Ajuste las correas antes de cada viaje.
Ziehe die Riemen vor jeder Fahrt fest.
Maak de riemen stevig vast voor elke rit.

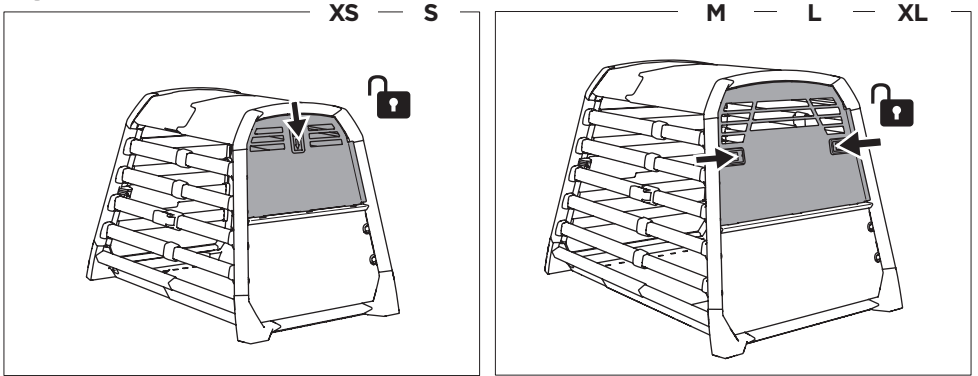


i

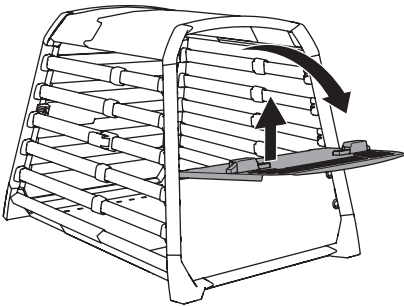
A



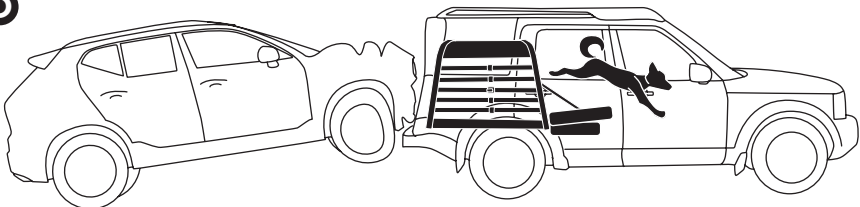
B



C

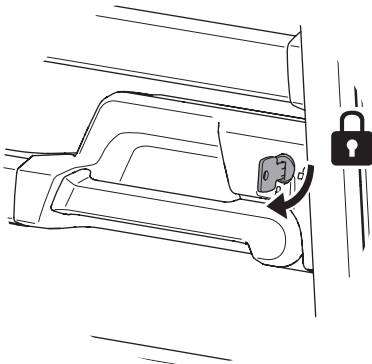
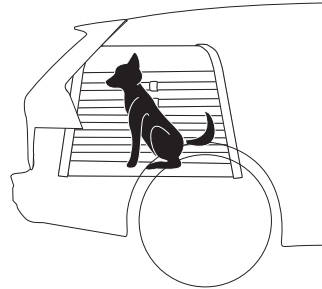
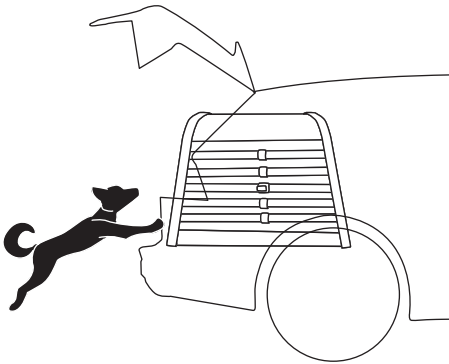
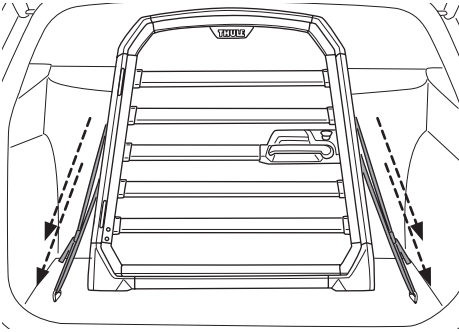


D

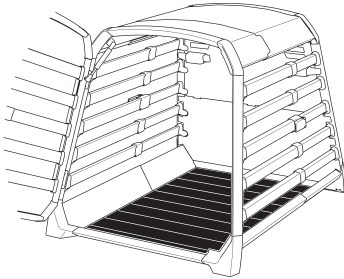




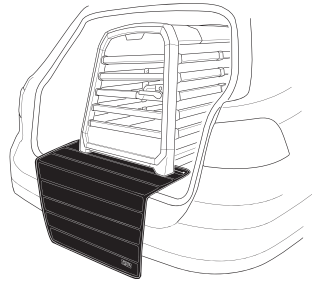
Before each trip / Avant chaque voyage / Antes de cada viaje / Vor jeder Reise / Vóór elke reis



Thule dog crate mat



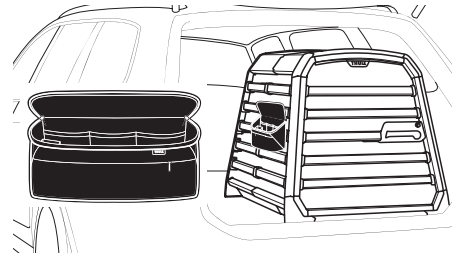
Thule dog crate bumper protector



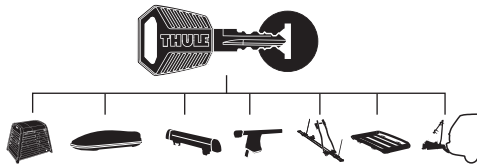
Thule dog crate leash hook



Thule dog crate storage bag



Thule One-Key System



450400  x4

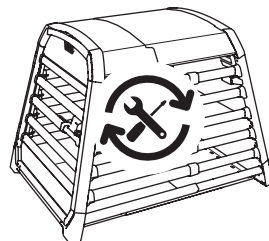
450600  x6

450800  x8

451200  x12

451600  x16

**Spare parts / Pièces détachées / Repuestos
Ersatzteile / Reserveonderdelen**




Thule.com

Thule Sweden AB
Borggatan 5
335 73 Hillerstorp, Sweden
info@thule.com
www.thule.com

© Thule Group Jan. 2024. All rights reserved.

» PART OF THULE GROUP